

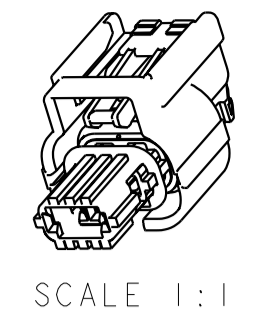
| ITEM | ITEM DESCRIPTION | COLOR | FCI PART NUMBER | MATERIAL/SPEC | RECYCLING CODE | APPROX. WEIGHT | NO OF ITEMS REQUIRED |
|------|-------------------------------|--------------|-----------------|---------------|----------------|----------------|----------------------|
| 1 | FEMALE HOUSING W/O LOCK RAMP | BLACK | F545000 | WSK-M4D673-A | PA66 GF35 | (5.10g) | |
| 1 | FEMALE HOUSING WITH LOCK RAMP | BLACK | S629300 | WSK-M4D673-A | PA66 GF35 | (5.15g) | 1 1 1 |
| 2 | FEMALE TPA KEY A | GREY | F645000 | WSK-M4D673-A | PA66 GF35 | (1.68g) | 1 |
| 2 | FEMALE TPA KEY B | BLUE | F436000 | WSK-M4D673-A | PA66 GF35 | (1.68g) | 1 |
| 2 | FEMALE TPA KEY B (Special) | NATURAL | S873500 | WSK-M4D673-A | PA66 GF35 | (1.68g) | 1 |
| 3 | RING SEAL | BURNT ORANGE | F646000 | ESB-M2D280-A | N/A | (0.07g) | 1 1 1 |

(C10)

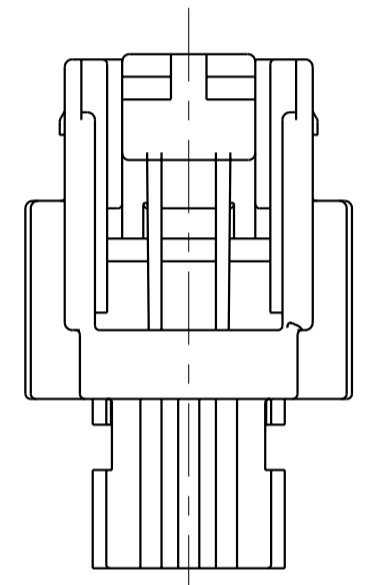
(A1) (A2) (A3) (A4) (C15) (B8) (B9)

| APPLICABLE COMPONENTS | | | | | APPLICABLE WIRE TYPE & SIZE |
|----------------------------------|---------------|------------------------|-----------------------|---------------|-----------------------------|
| ITEM DESCRIPTION | COLOR/PLATING | FORD COMP. PART NUMBER | FCI COMP. PART NUMBER | MATERIAL/SPEC | |
| 2.8mm SEALED SYSTEM TERMINAL (F) | Au | 9U5T-14474-KA | 54001879 | | 18-20 AWG |
| 2.8mm SEALED SYSTEM TERMINAL (F) | Au | 9U5T-14474-JA | 54001448 | | 14-16 AWG |
| 2.8mm SEALED SYSTEM TERMINAL (F) | Sn | XL3T-14474-DA | 54001840 | | 18-20 AWG |
| 2.8mm SEALED SYSTEM TERMINAL (F) | Sn | XL3T-14474-AA | 54001432 | | 14-16 AWG |
| WIRE SEAL | GREEN | 8U5T-14603-MA | F676000 | ESB-M2D280-A2 | 18-20 AWG |
| WIRE SEAL | BLUE | 8U5T-14603-NA | F576000 | ESB-M2D280-A2 | 14-16 AWG |

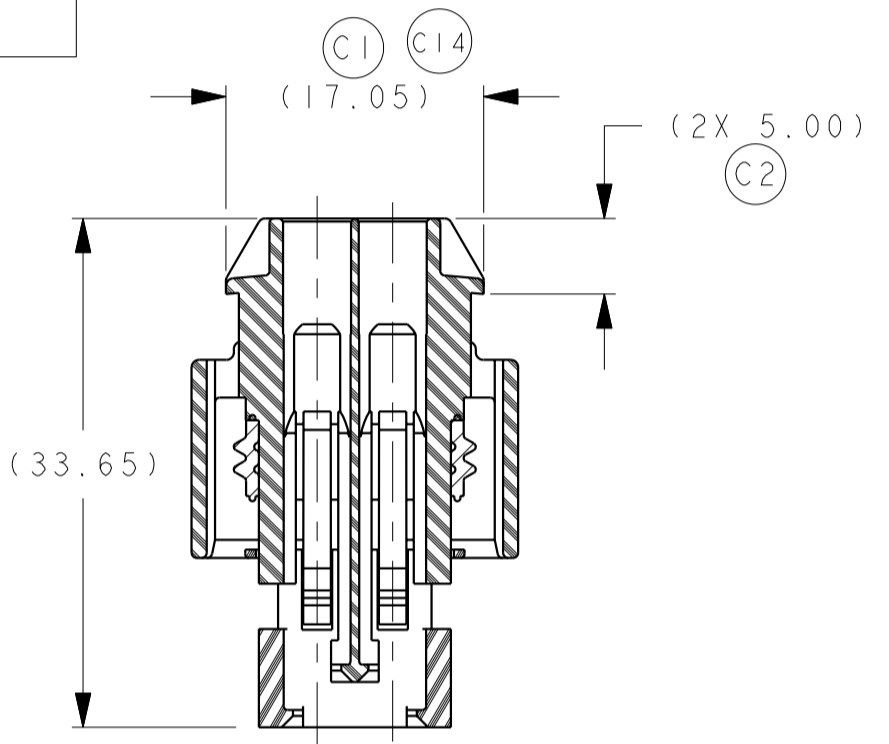
| | | |
|------------------|---------|-------|
| AU5T-14A464-TCA | F219600 | (C19) |
| 8U5T-14A464-MAC | F119300 | (C8) |
| 8U5T-14A464-FAC | F019300 | |
| FORD PART NUMBER | FCI P/N | |



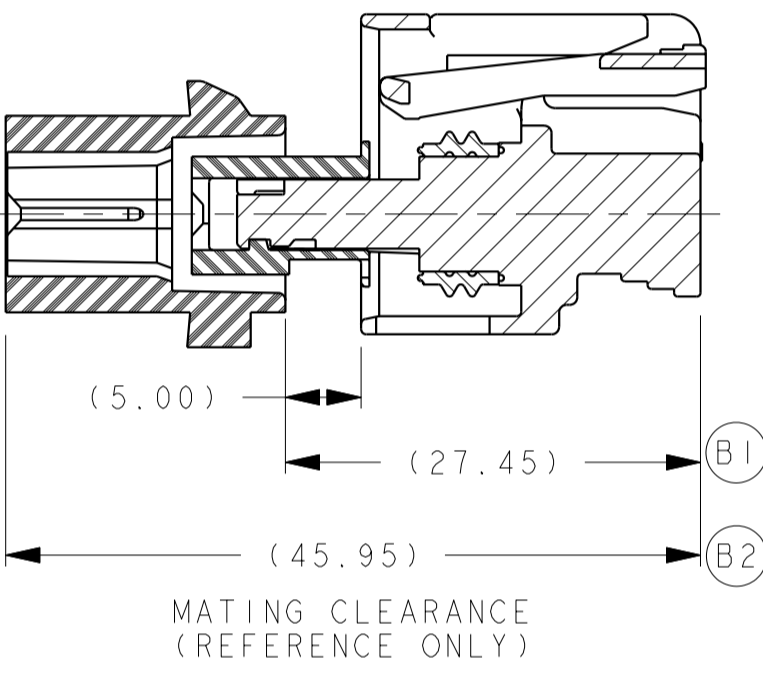
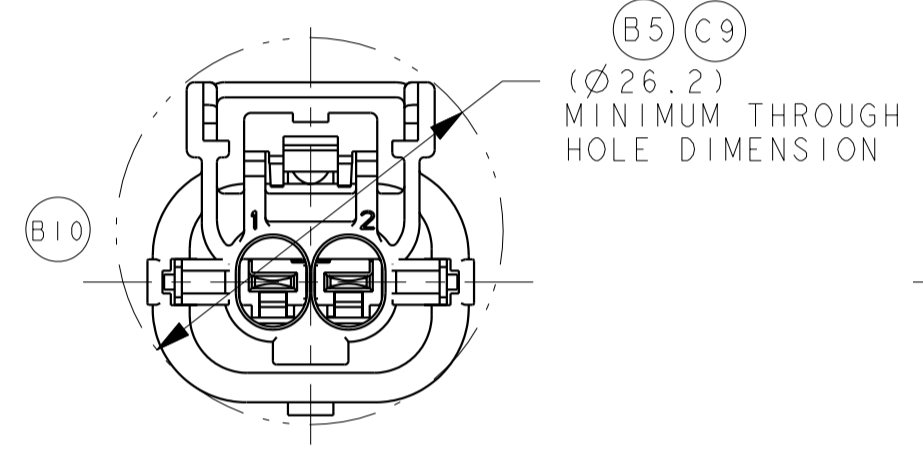
SCALE 1:1



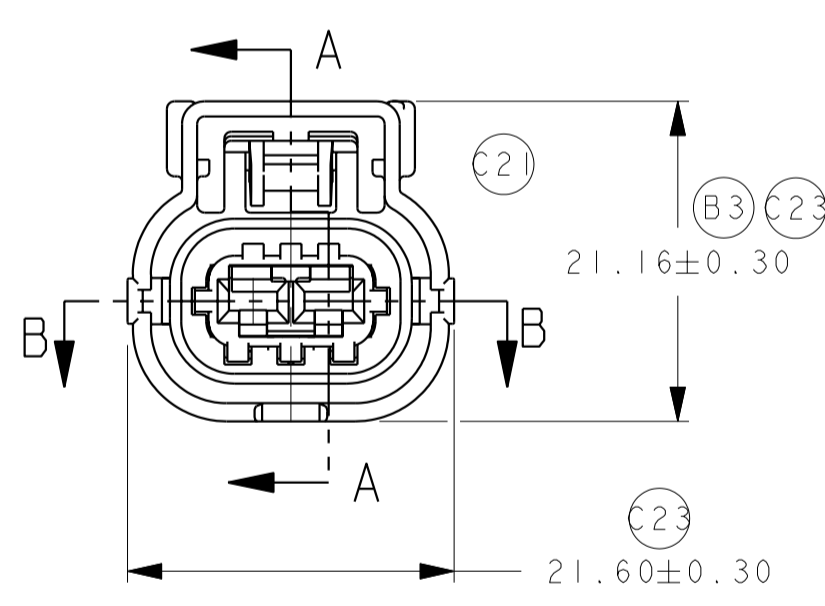
OPTIONAL CONSTRUCTION WITHOUT LOCK-RAMP FEATURES (C5)



SECTION B-B



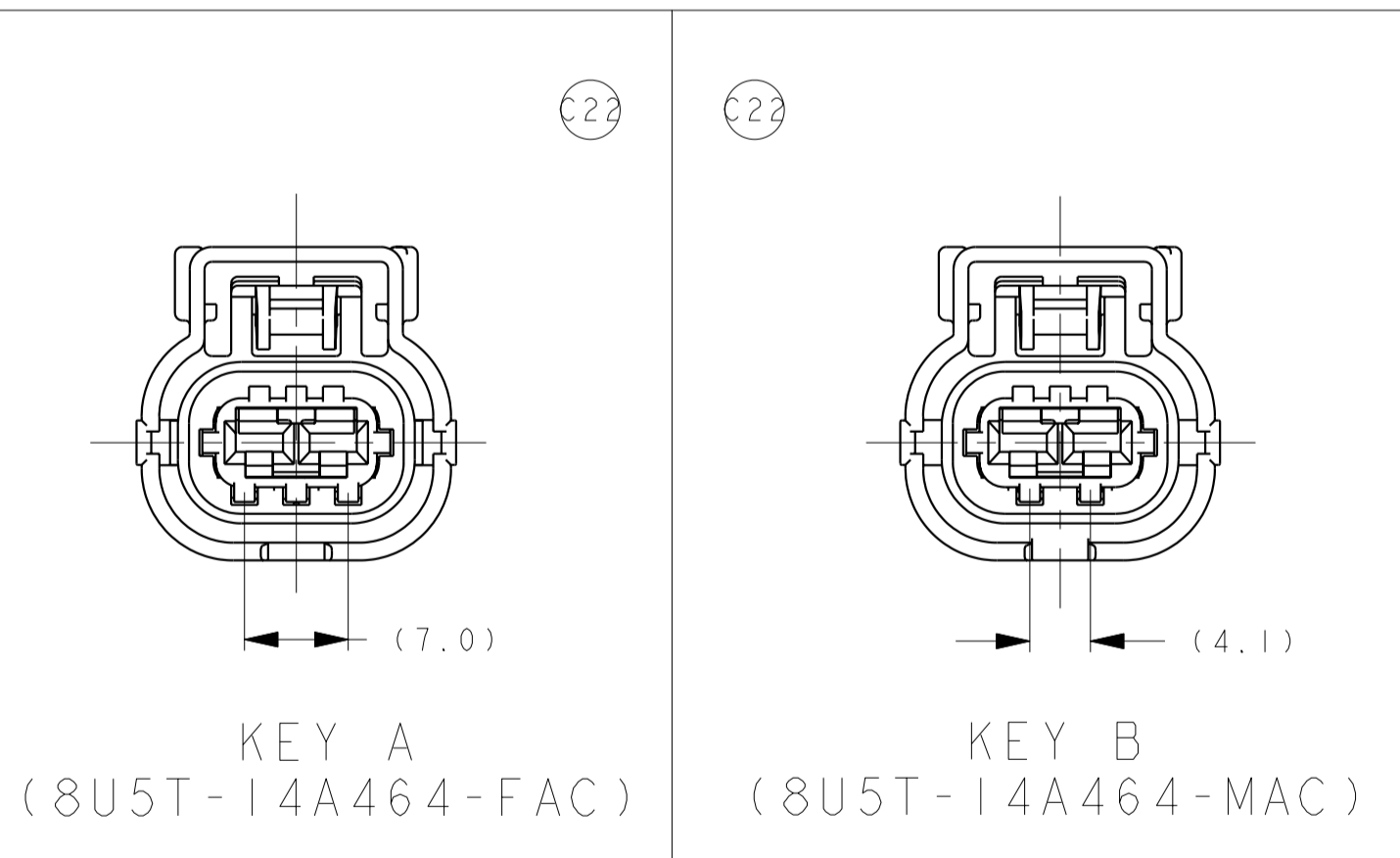
MATING CLEARANCE (REFERENCE ONLY)



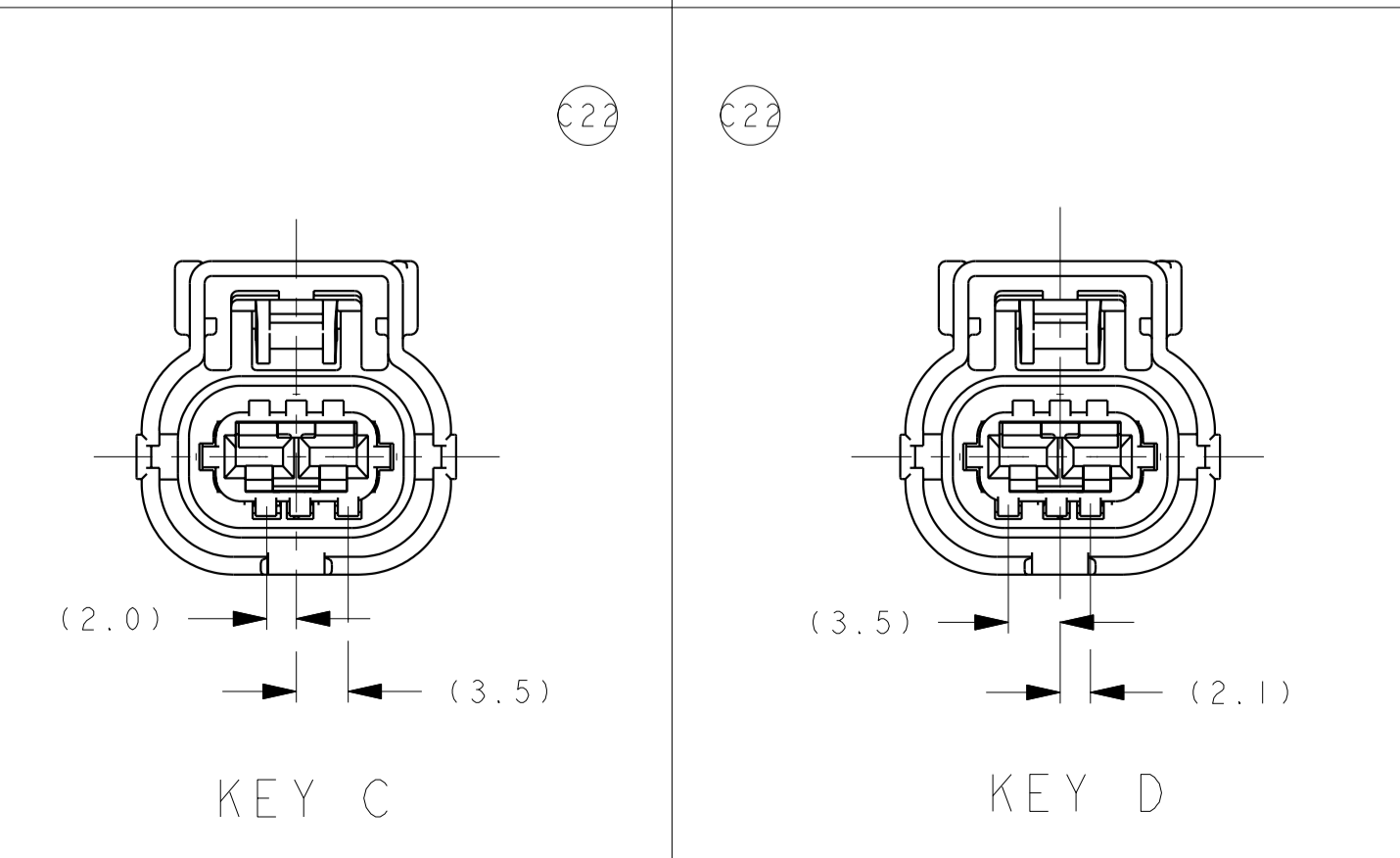
SECTION A-A

NOTES:

- PART MUST CONFORM TO THE ELECTRICAL CONNECTION SYSTEM DESIGN SPECIFICATION (SDS) REVISION 14.0 DATED DEC.2008
- PART MUST CONFORM TO SAE/USCAR-2 REV 5 FOR COMPONENT TEMPERATURE CLASS 3, FOR PERFORMANCE CRITERIA & EXCEPTIONS
- SEE FCI DVP&R DOCUMENT 08-005, 08-051
- MAXIMUM INSERTION FORCE FULLY POPULATED WITH Au TERMINALS: 21.03 N
- ALL PLASTIC PARTS MUST HAVE MATERIAL IDENTIFICATION SYMBOLS CLEARLY MARKED, WHEREVER PACKAGE SIZE PERMITS.
- FORD MOTOR COMPANY APPROVAL REQUIRED FOR ALL SOURCING AND TOOLING OF THIS PART.
- FOR ENGINEERING APPROVED SOURCE SEE ENGINEERING RELEASE.
- ENGINEERING APPROVAL OF SAMPLE FROM EACH SUPPLIER IS REQUIRED PRIOR TO AUTHORIZATION OF PART PRODUCTION.
- CHANGES IN DESIGN COMPOSITION OR PROCESSING FROM THE PART PREVIOUSLY APPROVED FOR PART PRODUCTION REQUIRES PRIOR ENGINEERING APPROVAL.
- GENERAL TOLERANCES: ±0.3 ALL ONE PLACE DIMENSIONS, ±0.10 ALL TWO PLACE DIMENSIONS, ±3° ALL ANGULAR TOLERANCES
- PARTS ARE TO BE FREE OF SCRATCHES, DISCOLORATION, SALT RESIDUE OR OTHER IMPERFECTIONS THAT MAY AFFECT FUNCTION OR FIT OF PART
- DRAWING CONFORMS TO AVP-(T401/T406) -001 REVISION C DATED 08-AUG-03
- HEADER INTERFACE GEOMETRY SHOWN ON SHEET 2.
- FOR HEADER BLADE INFORMATION SEE EWCAP DRAWING EWCAP-001.

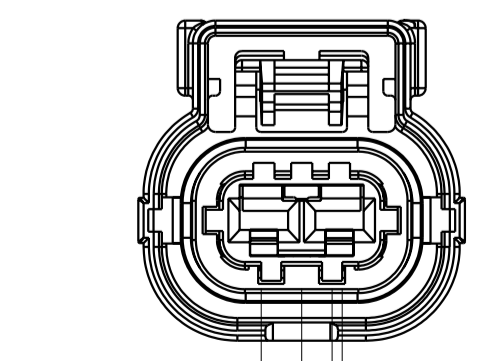


KEY A (8U5T-14A464-FAC) KEY B (8U5T-14A464-MAC)



KEY C KEY D

THIS CONNECTOR IS A NON-STANDARD VARIANT OF KEY B AND IS INTENDED FOR USE ONLY WITH ONE SPECIFIC NON-STANDARD INTERFACE AND SHOULD NOT BE USED IN ANY OTHER APPLICATION



KEY B (Special) SCALE 2.000 (C16)

| LTRS | | REVISIONS | | |
|---------------------|-----------------|--|----------|--|
| ORIGINATOR | CHECKER | ENGR APP | MATL APP | |
| A | RELEASE | 8U5T-14A464-FAA AND 8U5T-14A464-MAA FOR PRODUCTION AUTHORITY | | |
| ARCHIVED DATE: | | AELE-E-11786306-38 (*) * | CAD: Y | |
| CARRER | KIRZHNER | SPADONI | | |
| A1 | WAS | 8U5T-14474-GA | | |
| A2 | WAS | 8U5T-14474-HA | | |
| ARCHIVED DATE: | | AELE-E-11786306-061 (*) * | CAD: Y | |
| CARRER | RAUCHMAN | SPADONI | | |
| A3 | WAS | 8U5T-14474-JA | | |
| A4 | WAS | 8U5T-14474-KA | | |
| ARCHIVED DATE: | | AELE-E-11786306-062 (*) * | CAD: Y | |
| CARRER | RAUCHMAN | SPADONI | | |
| A5 | REVISED | KEY WAY CALL OUT | | |
| ARCHIVED DATE: | | AELE-E-11786306-074 (*) * | CAD: Y | |
| CARRER | RAUCHMAN | HOLCOMBE | | |
| REMOVED | 8U5T-14A464-FAA | | | |
| REMOVED | 8U5T-14A464-MAA | | | |
| RELEASED | 8U5T-14A464-FAB | | | |
| RELEASED | 8U5T-14A464-MAB | | | |
| B1 | WAS | 30.05 | | |
| B2 | WAS | 48.55 | | |
| B3 | WAS | (25.60) | | |
| B4 | WAS | 19.45 | | |
| B5 | WAS | 28.00 | | |
| B6 | UPDATED | NOTE 2 | | |
| B7 | REMOVED | NOTE | | |
| B8 | WAS | 54001876 | | |
| B9 | WAS | 54001446 | | |
| B10 | MODIFIED | CAVITY NUMBER SEQUENCE | | |
| B11 | RELOCATED | INTERFACE KEY VIEWS & SCALE WAS 4:1 | | |
| ARCHIVED DATE: | | AELE-E-11786306-077 (*) * | CAD: Y | |
| BUTCHER | RAUCHMAN | HOLCOMBE | | |
| REMOVED | 8U5T-14A464-FAB | | | |
| REMOVED | 8U5T-14A464-MAB | | | |
| RELEASED | 8U5T-14A464-FAC | | | |
| RELEASED | 8U5T-14A464-MAC | | | |
| C1 | ADDED | DIM (16.70) | | |
| C2 | ADDED | DIM (2X 5.00) | | |
| C3 | REMOVED | VIEW SECTION C-C | | |
| C4 | UPDATED | DIM 3.90±0.15 | | |
| C5 | ADDED | VIEW | | |
| C6 | UPDATED | NOTE 2 | | |
| C7 | UPDATED | TITLE BLOCK | | |
| C8 | UPDATED | FCI ASSEMBLY NUMBERS | | |
| C9 | WAS | Ø26.2 | | |
| C10 | ADDED | P/N FOR HOUSING WITH LOCK RAMPS | | |
| C11 | UPDATED | INTERFACE DIMENSIONS | | |
| DATE: | | 20090323 | | |
| AELE-E-11786306-094 | | | | |
| RRR | BUTCHER | | | |
| C12 | INTERFACE | VIEWS REDEFINED AND MOVED TO SHT 2 | | |
| C13 | ADDED | NOTES 13 AND 14 | | |
| C14 | DIM (17.05) | WAS (16.70) | | |
| C15 | UPDATED | APPLICABLE COMPONENTS TABLE | | |
| DATE: | | 20090518 | | |
| AELE-E-11786306-099 | | | | |
| BUTCHER | RAUCHMAN | | | |
| RELEASED | AU5T-14A464-TCA | | | |
| C16 | ADDED | VIEW FOR KEY Bs (SPECIAL) | | |
| C17 | REVISED | DRAWING SIZE & LAYOUT SHT1 | | |
| C18 | REVISED | DRAWING SIZE & LAYOUT SHT2 | | |
| C19 | ADDED | AU5T-14A464-TCA TO BOM | | |
| DATE: | | 20091030 | | |
| AELE-E-11786306-114 | | | | |
| HOLUB | RAUCHMAN | | | |
| C20 | REMOVED | NOTE #10 - REORDERED NOTES | | |
| C21 | REMOVED | 17.66, 3.90 AND 16.00 | | |
| C22 | CONVERTED | KEYING DIMENSIONS TO REF. | | |
| C23 | ADDED | 21.16±0.30 AND 21.60±0.30 | | |
| DATE: | | 20091113 | | |
| AELE-E-11786306-111 | | | | |
| HOLUB | RAUCHMAN | | | |

| | | | |
|--|----------|---|-----------------|
| REFERENCE | | FCI - AUTOMOTIVE (7362) | |
| FOR INFORMATION CONTACT: FCI - AUTOMOTIVE (7362) | | | |
| PART MUST COMPLY WITH MATERIAL SPECIFICATION WSS-M99P9999-A1 TO HELP SAFEGUARD HEALTH, SAFETY AND THE ENVIRONMENT. | | | |
| DRAFTED IN ACCORDANCE WITH FAO ENGINEERING DRAFTING STANDARD CURRENT AT INITIAL RELEASE | | 3 RD ANGLE PROJ DIMENSIONS IN MILLIMETERS | |
| CAD TYPE | CAD LOC. | CAD FILE | EM IS MASTER |
| X-PROE | N/A | PCC0531107.drw | |
| OPER. NO. | UNIT | DRAWING | 8U5T-14A464-FAC |
| DESIGN CARRER | DETAIL | TITLE | SHT 1 OF 2 |
| CHECKED KIRZHNER | SAFETY | SLV ASY WIR CONN FEM | |
| SCALE | DATE | DIVISION | |
| 2:1 | 8-22-07 | PLANT | |

(2 WAY APEX 2.80mm FEMALE CONNECTOR)

DRW SIZE A1/D

X-ON Electronics

Largest Supplier of Electrical and Electronic Components

Click to view similar products for [Automotive Connectors](#) category:

Click to view products by [APTIV](#) manufacturer:

Other Similar products are found below :

[003-018-000](#) [60403001](#) [60993906-B](#) [629515004020001](#) [M902-2131](#) [M902-2161](#) [72.330.1035.1](#) [73.353.4028.0](#) [F119300-B](#) [F166900](#)
[F258300-B](#) [F358300-B](#) [F407400](#) [F444110](#) [F487000](#) [F509500B-B](#) [827153-1](#) [8N1515-32-24P](#) [9-1326729-8](#) [925474-1](#) [928905-1](#) [964562-4](#)
[968782-1](#) [GT17SA-8DS-HU](#) [98891-1012](#) [98947-1016](#) [12004475-L](#) [12010290](#) [12010309-B](#) [12015454](#) [12020219-B](#) [12020308](#) [12041318-B](#)
[12052225-L](#) [12052466](#) [12059125](#) [12064869](#) [12004327-B](#) [12010503-B](#) [12015308](#) [12015384](#) [12015909](#) [1-21030-1](#) [12041254](#) [12041318](#)
[12047946-B](#) [12047957](#) [12047957-L](#) [12059473](#) [12066261](#)