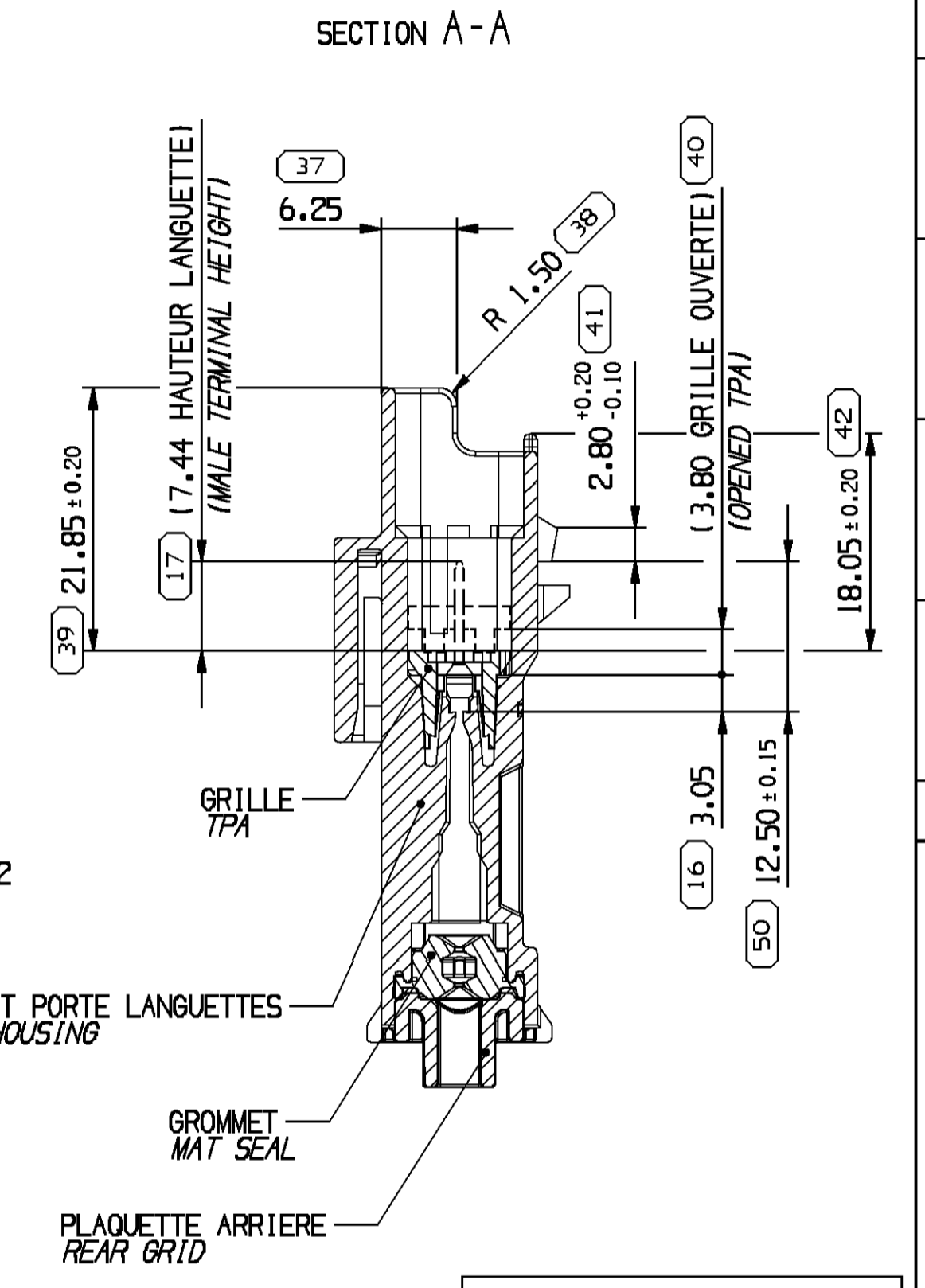
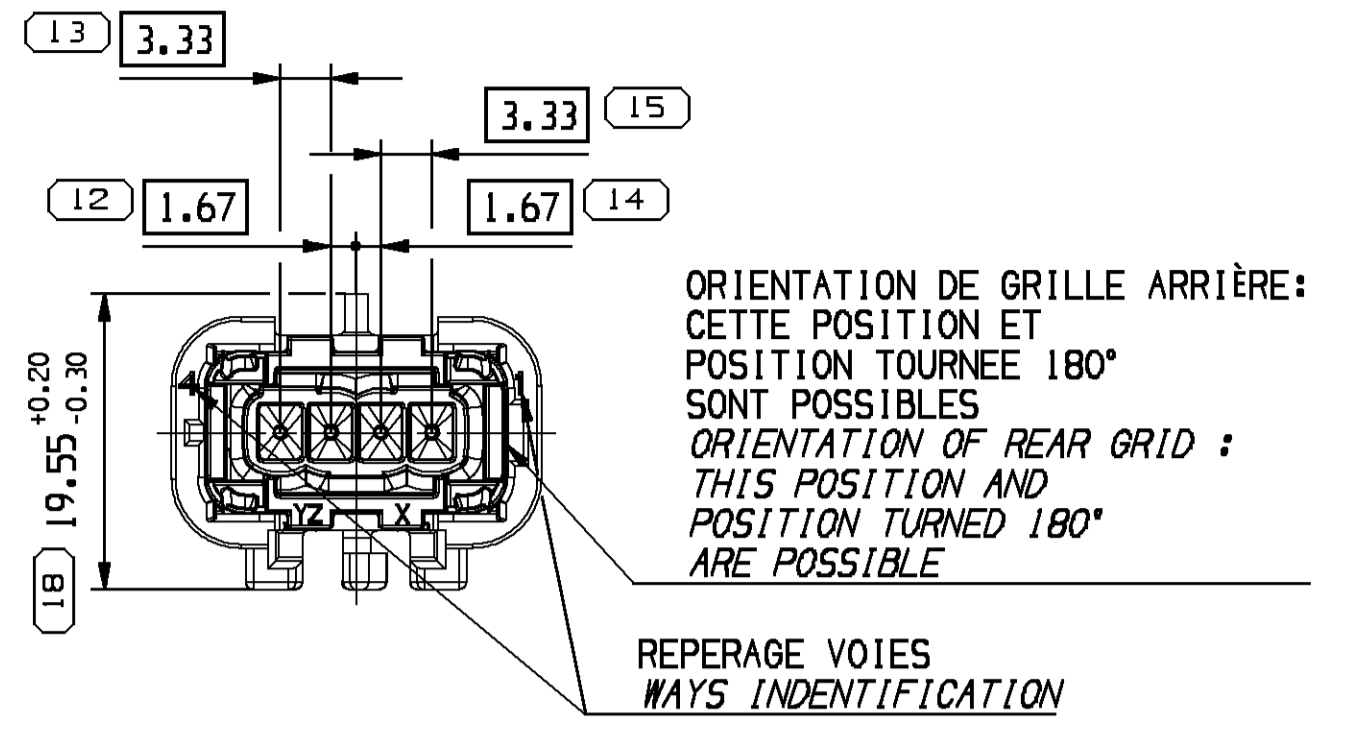


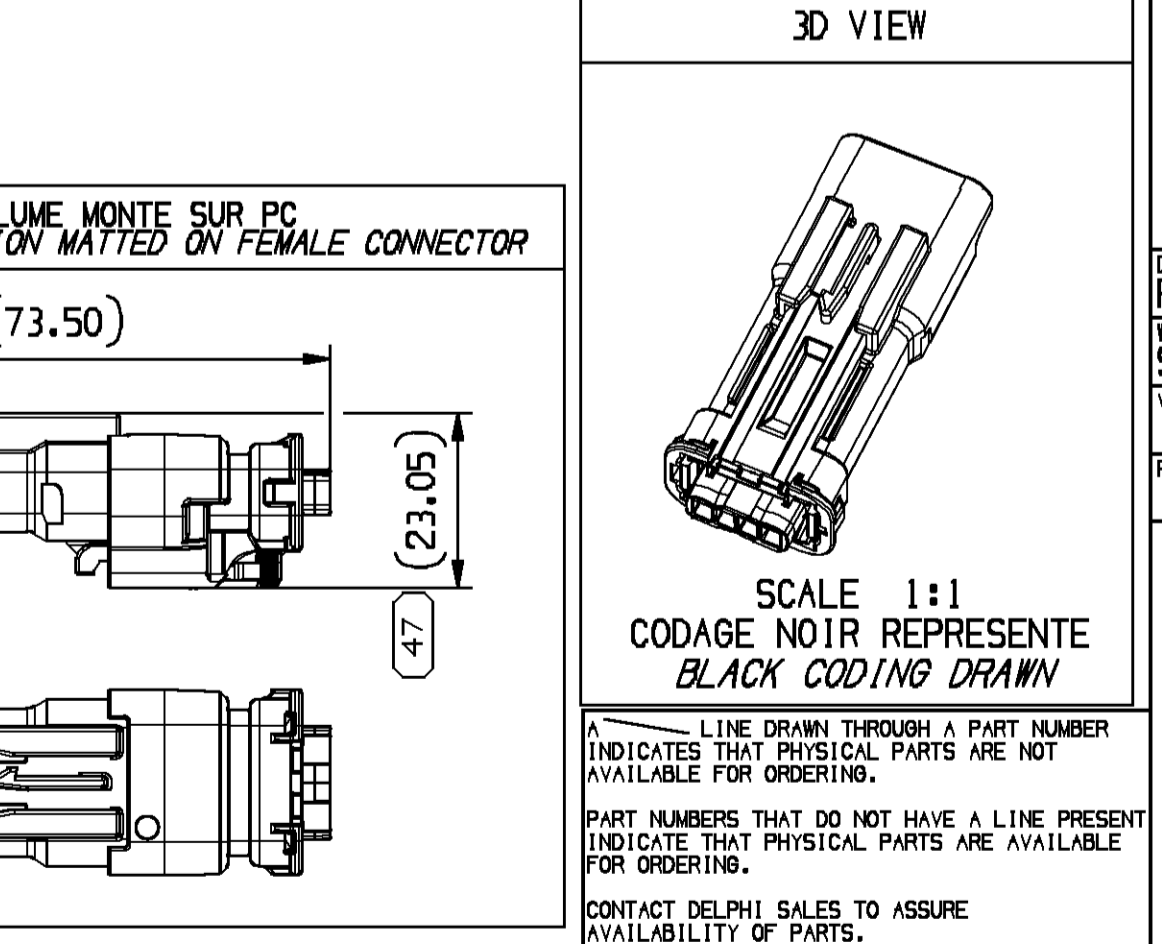
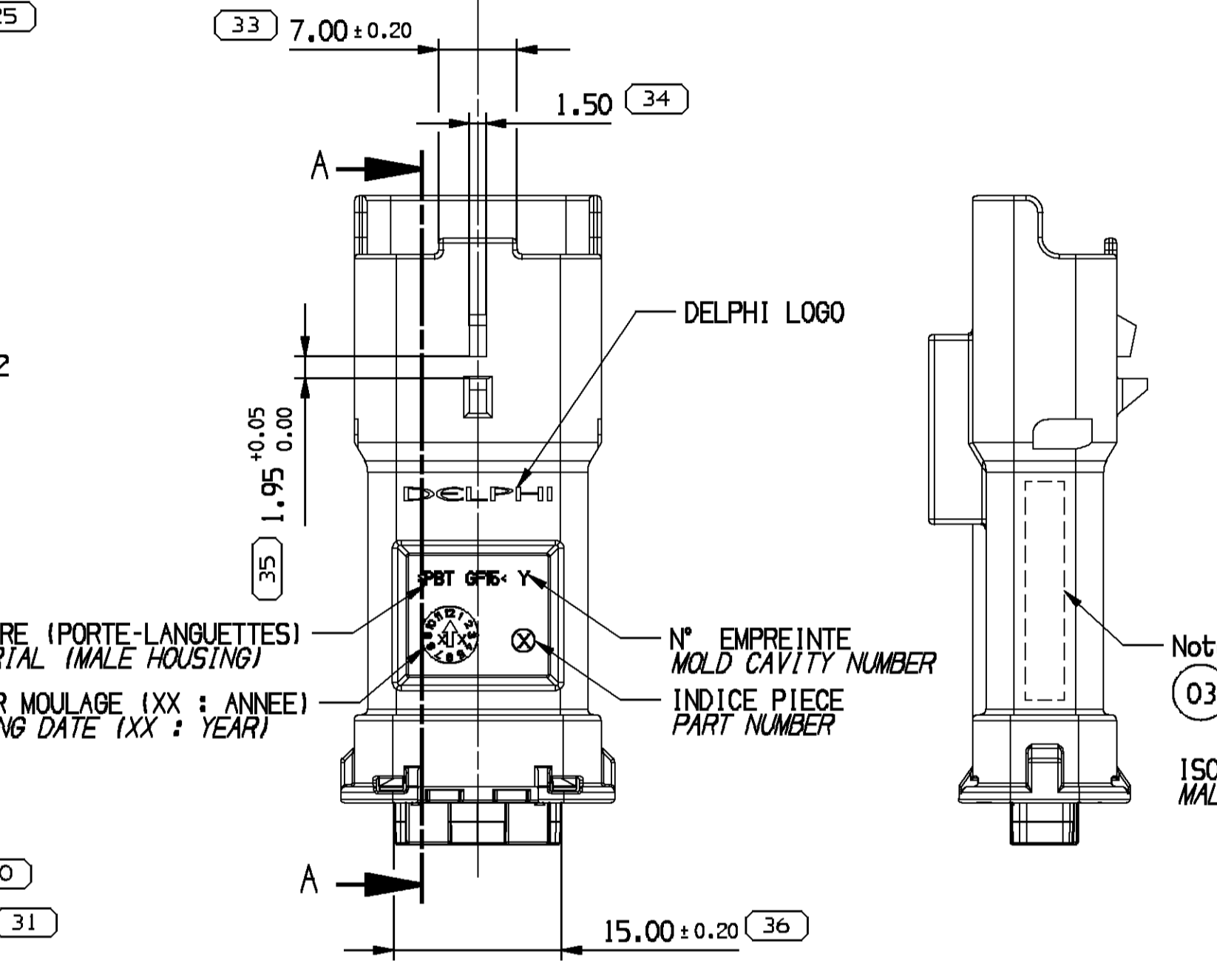
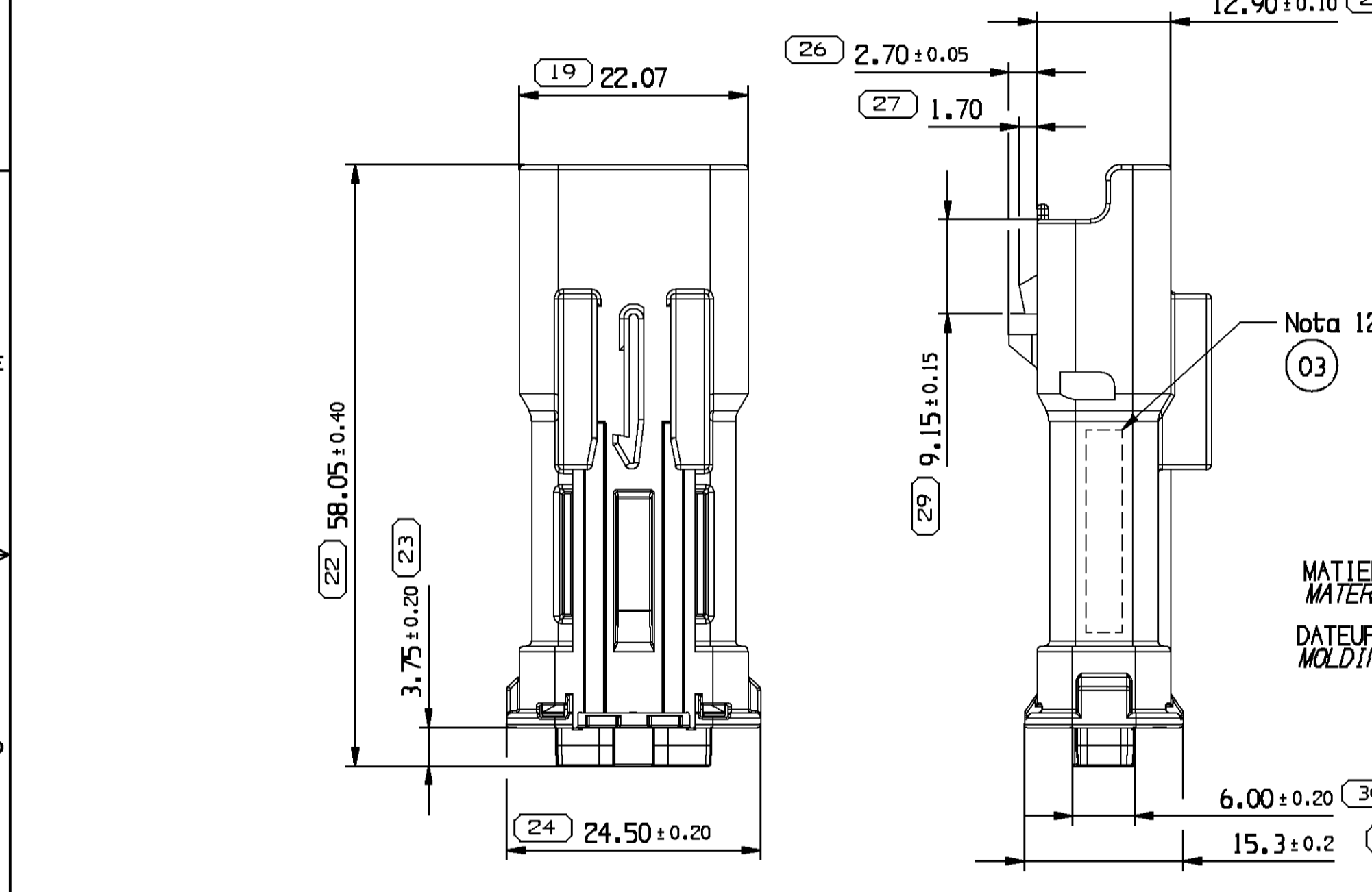
NOTA	SPECIFICATIONS
1	CONNECTEUR DOIT ETRE CONFORME AU CDC : 96 907 354 99 REV OR MALE CONNECTOR ACCORDING TO PSA'S SPECIFICATION : 96 907 354 99 REV OR
2	CONNECTEUR SUIVANT: MALE CONNECTOR ACCORDING TO: - CLASSE DE TEMPERATURE T4 SELON B217050 REV C - TEMPERATURE CLASS T4 ACCORDING TO B217050 REV C - CLASSE DE VIBRATION V3 SELON B217050 REV C - V3 VIBRATION CLASS ACCORDING TO B217050 REV C - CLASSE ETANCHEITE E2 SELON B217050 REV C - SEALING CLASS E2 ACCORDING TO B217050 REV C
3	PRECONISATION D'UTILISATION / USER MANUAL REF. MVL : PUI126 / MVL'S REFERENCE : PUI126 REF. PSA : 00949_10_01080 / PSA'S REFERENCE : 00949_10_01080
4	ALVEOLE SUIVANT STE : 96 289 050 99 REV A TERMINAL CAVITY ACCORDING TO : STE : 96 289 050 99 REV A
5	CONNECTEUR ET POSITION ALVEOLE CONFORMES AU PLAN D'INTERFACE STE 96 339 622 99 REV L MALE CONNECTOR AND CAVITY'S POSITION ACCORDING TO: INTERFACE DRAWING : STE 96 339 622 99 REV L
6	CONDUCTEUR SUIVANT STE B 25 1110 REV OR WIRE ACCORDING TO STE B 25 1110 REV OR
7	CONDITIONNEMENT SUIVANT NORME : E73 03 1508 PACKAGING ACCORDING TO STANDARD : E73 03 1508
8	DIAMETRE DE L'ISOLANT DES FILS WIRE INSULATION DIAMETER :MINI=1.60 :MAXI=2.60
9	MASSE DU PRODUIT LIVRABLE : 10g DELIVERY CONNECTOR WEIGHT : 10g
10	EFFORT D'ACCROUPEMENT FC/PL : SON MAXI MATING FORCE FEMALE/MALE CONNECTOR : SON MAXI
11	ACCROCHAGE SUIVANT STE 96 512 133 99 REV A HOLDING DEVICE ACCORDING TO STE 96 512 133 99 REV A
12	MARQUAGE SUR UN COTE UNIQUEMENT REFERENCE MVL + DATEUR ASSEMBLAGE (XXX : JOUR / YY : ANNEE / E : REGION) MARKING ON ONE SIDE ONLY MVL REFERENCE + ASSEMBLY DATE (XXX : DAY / YY : YEAR / E : REGION)

TABLEAU CARACTERISTIQUES / PRESTATIONS ATTENUES TABLE OF CHARACTERISTICS / FUNCTIONAL FEATURES REQUESTED				DWB STATUS		REVISION HISTORY		AUTH	DR	APVD 1	APVD 2		
LES COTES SERONT CONFIRMES APRES REALISATION DES ANDECS PRODUIT ET PROCESS DES FOURNISSEURS DU PORTE-LANGUETTES THE DIMENSIONS WILL BE CONFIRMED AFTER THE RESULT OF DFMEA AND PFMEA OF THE MALE CONNECTOR SUPPLIERS				DATE	ISTG/REV/IN/PC/CHG	ZONE							
N° DE LA CARACTERISTIQUE A GARANTIR POUR ASSURER LA PRESTATION CHARACTERISTIC NBR TO GUARANTEE IN ORDER TO ENSURE THE FUNCTIONAL FEATURE				PRESTATION ATTENDEE FUNCTIONAL FEATURES REQUESTED									
				BRANCHEMENT (GUIDAGE ET POLARISATION) MATING (GUIDING AND POLARIZATION)	CONTACT ELECTRIQUE (CONTINUITÉ) ELECTRICAL CONTINUITY	ETANCHEITE WATER TIGHTNESS							
				1 to 15	X								
16 - 17 - 50		X											
20 - 21													
48 to 49	X												

DATE	ISTG/REV/IN/PC/CHG	ZONE	REVISION HISTORY	AUTH	DR	APVD 1	APVD 2
	R 01	-	FILE TRANSLATED FROM MVL SYSTEM				
	R 02	-	FILE TRANSLATED FROM MVL SYSTEM				
	R 03	-	REDRAWN IN NX DRAWING NUMBER PCC0676799 BECAME 33523024-CUS02-S01 DELPHI REFERENCE ADDED IN THE TABLE NOTE 12 ADDED L080 FC1 BECAME L080 DELPHI	P.BAL	S.ANUJ	L.DIA	



REVISION HISTORY FROM PCC0676799 MVL FOR 33523024-CUS02 SEE TABLE ON THE TOP		
REVISION	DESCRIPTION	DATE
-	-	-
-	INITIAL ISSUE	-
-	-	-
-	-	-
-	CHANGE DIMENSION NUMBER 24 & 31	-
-	-	-
-	UPDATE NOTA	-
-	CHANGE TOLERANCE DIMENSION 18	-
-	ADD DATING MARKS	-
M 14	PSA REF NO. ADDED	-
AE 12-16	DELPHI REFERENCE ADDED IN THE TABLE	-
L 8-9	NOTE ADDED FOR REAR GRID	-
-	KEYS OF POLARIZATION OF REAR GRID ARE SUPPRESSED	-



DWB TYP	PART DRAWING	DISTR CODE
WEIGHT (GR)	SEE NOTE 9	D
VOLUME (CM³)		
ROUTING		
UNLESS OTHERWISE SPECIFIED		
GENERAL TOLERANCES ACCORDING TO: ±0.1 ±2°		
GD&T ACCORDING TO:		
FIRST ANGLE PROJECTION		
DO NOT SCALE USE MATH DATA		

**DELPHI**  
DELPHI PACKARD ELECTRICAL/ELECTRONIC ARCHITECTURE  
Chennai, India

COPYRIGHT 2014 DELPHI CORPORATION AND/OR ITS AFFILIATES. ALL RIGHTS RESERVED.  
REVISED 2016

THIS DRAWING IS THE PROPERTY OF DELPHI CORPORATION AND CONTAINS DELPHI CONFIDENTIAL INFORMATION. THE REPRODUCTION, DISTRIBUTION AND UTILIZATION OF THIS DOCUMENT, OR ITS RELATED CAD MATH DATA, AS WELL AS COMMUNICATION OF ANY CONTENT TO OTHERS, WITHOUT EXPRESS AUTHORIZATION, IS PROHIBITED.

CE PLAN EST LA PROPRIETE DE DELPHI CORPORATION ET CONTIENT DES INFORMATIONS DELPHI CONFIDENTIELLES. LA REPRODUCTION, LA DISTRIBUTION ET L'UTILISATION DE CE DOCUMENT OU DE SES DONNEES MATHEMATIQUES CAD, ANSI QUE LA COMMUNICATION DE TOUT CONTENU A AUTRUI, SANS AUTORISATION EXPRESSE EST INTERDITE.

DR	DATE
Ajan SWAMY	04FE10
S LACOTE	08AU14
Patrice CAPPE	08AU14
Pascal MENARD	08AU14

SUBSTANCES OF CONCERN AND RECYCLED CONTENT PER DELPHI 10949001  
MATIERES PROSCRITES ET CONTENU RECYCLABLE SELON DELPHI 10949001

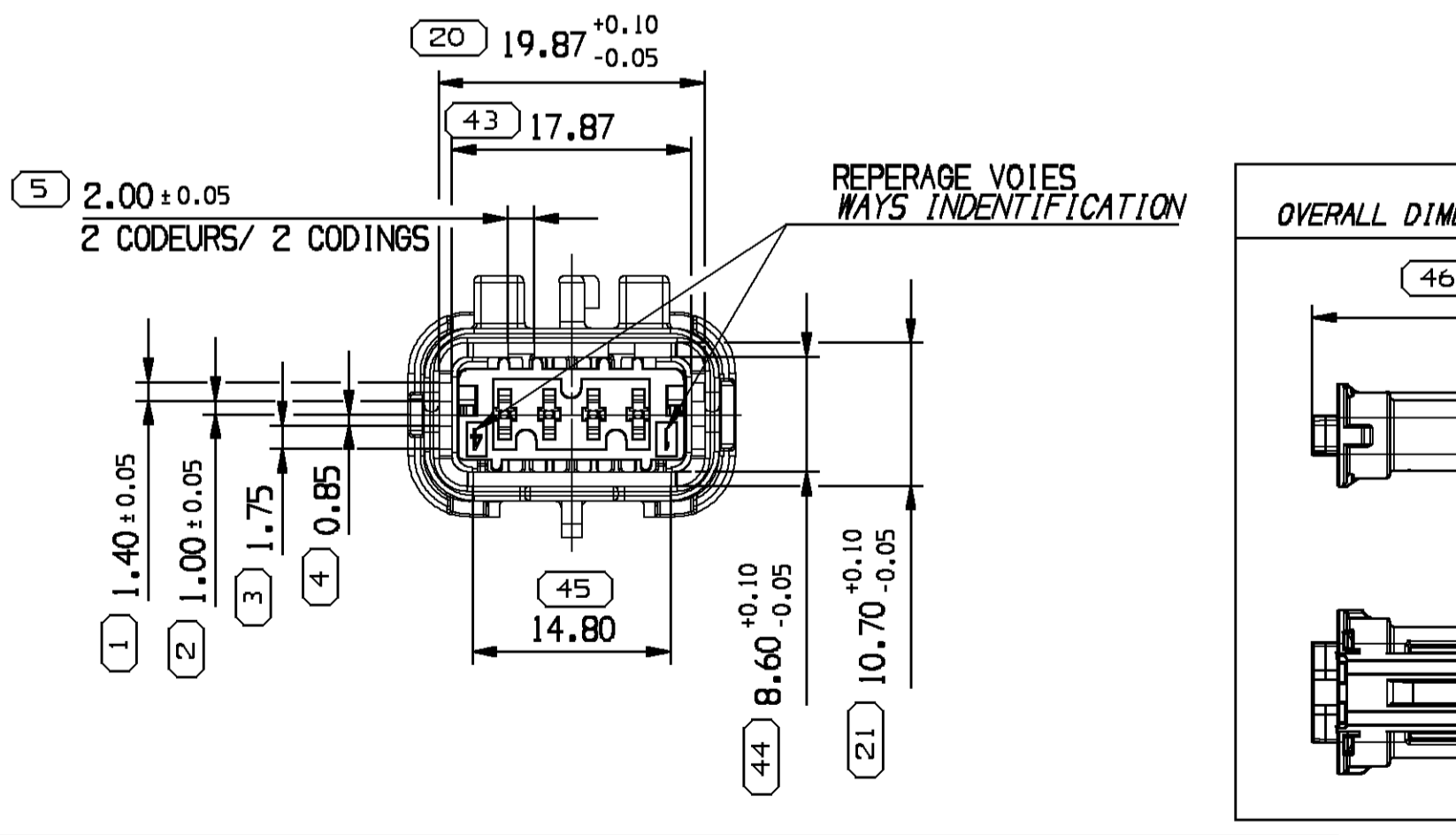
MATERIAL  
SEE TABLE

DRAWING NAME  
4-WAY MALE SEALED CONNECTOR

DRAWING NUMBER  
SENSOMATE SICMA 1.5  
33523024

SIZE	SCALE	FRAME NO	SHEET NO	STG	REV	N/P
A1	2:1	1 OF 1	1 OF 1	R	03	-

(48) 4.05	5.95 (49)		VUE F VIEW F
		TOLERANCES ±0.10 SCALE 1:1	
codage ROUGE RED coding	codage VIOLET PURPLE coding	-	CODAGE COULEUR COLOUR CODING
96 741 284 80	96 741 285 80	-	REF. P.S.A. PSA'S REFERENCE
33511732	33511733	-	REF. DELPHI DELPHI'S REFERENCE
01	01	-	INDICE DELPHI DELPHI'S REVISION
F433700	F533700	-	REF. MVL SERIE MVL SERIAL REF.
A	A	-	INDICE REVISION
(10) 0.30	7.20 (11)	(8) 5.30	2.20 (9)
		(6) 2.80	4.70 (7)
			VUE F VIEW F
			TOLERANCES ±0.10 SCALE 1:1
codage GRIS GREY coding	codage BLEU BLUE coding	codage NOIR BLACK coding	CODAGE COULEUR COLOUR CODING
96 712 659 80	96 712 658 80	96 712 657 80	REF. P.S.A. PSA'S REFERENCE
33502175	33511731	33502133	REF. DELPHI DELPHI'S REFERENCE
01	01	01	INDICE DELPHI DELPHI'S REVISION
F333700	F233700	F133700	REF. MVL SERIE MVL SERIAL REF.
A	A	A	INDICE REVISION



DESIGNATION DESCRIPTION	REF. MVL SERIE MVL SERIAL REF.	REF. DELPHI SERIE DELPHI SERIAL REF.	MATERIE MATERIAL	COULEUR COLOUR
ISOLANT PORTE-LANGUETTES MALE HOUSING	S663700	33523017	PBT 15% FV PBT 15% GF	NOIR BLACK BLEU BLUE GRIS GREY ROUGE RED VIOLET PURPLE
GRILLE TPA	S314700	33523014	PBT 15% FV PBT 15% GF	JAUNE YELLOW GRIS GREY
GROMMET MAT SEAL	S293700	33501744	SILICONE 4% D'HUILE DURETE 35±5 SHORE A	NOIR BLACK
PLAQUETTE ARRIERE REAR GRID	S383700	33512021	PBT 15% FV PBT 15% GF	NOIR BLACK

## X-ON Electronics

Largest Supplier of Electrical and Electronic Components

*Click to view similar products for [Automotive Connectors](#) category:*

*Click to view products by [APTIV](#) manufacturer:*

Other Similar products are found below :

[003-018-000](#) [60403001](#) [60993906-B](#) [M902-2131](#) [M902-2161](#) [72.330.1035.1](#) [73.353.4028.0](#) [F119300-B](#) [F166900](#) [F258300-B](#) [F358300-B](#)  
[F407400](#) [F444110](#) [F487000](#) [F509500B-B](#) [827153-1](#) [8N1515-32-24P](#) [9-1326729-8](#) [925474-1](#) [928905-1](#) [964562-4](#) [968782-1](#) [GT17SA-8DS-](#)  
[HU](#) [98891-1012](#) [98947-1016](#) [12004475-L](#) [12010290](#) [12010309-B](#) [12015454](#) [12020219-B](#) [12020308](#) [12041318-B](#) [12052225-L](#) [12052466](#)  
[12059125](#) [12064869](#) [12004327-B](#) [12010503-B](#) [12015308](#) [12015384](#) [12015909](#) [1-21030-1](#) [12041254](#) [12041318](#) [12047946-B](#) [12047957](#)  
[12047957-L](#) [12059473](#) [12066261](#) [12110546](#)