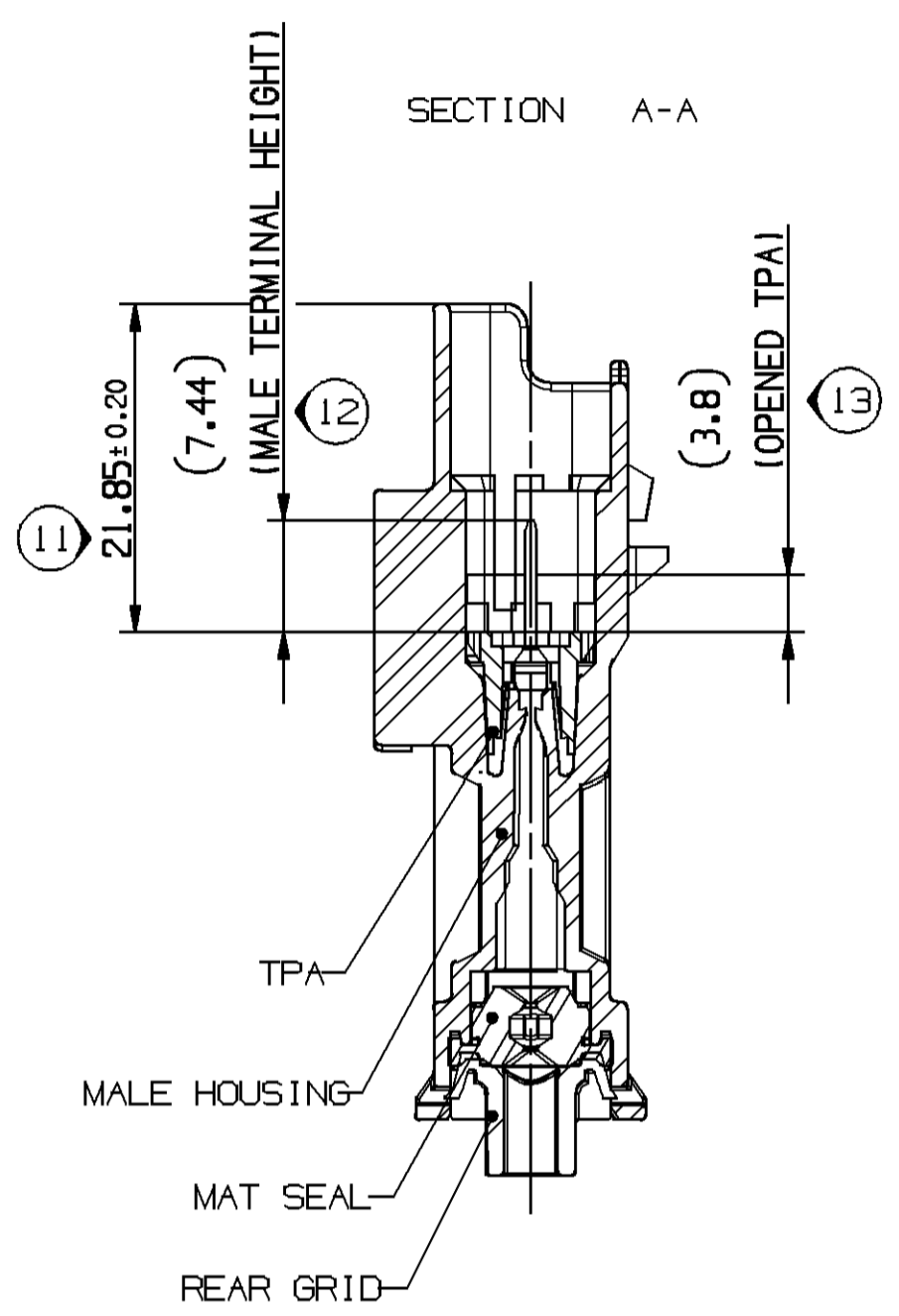
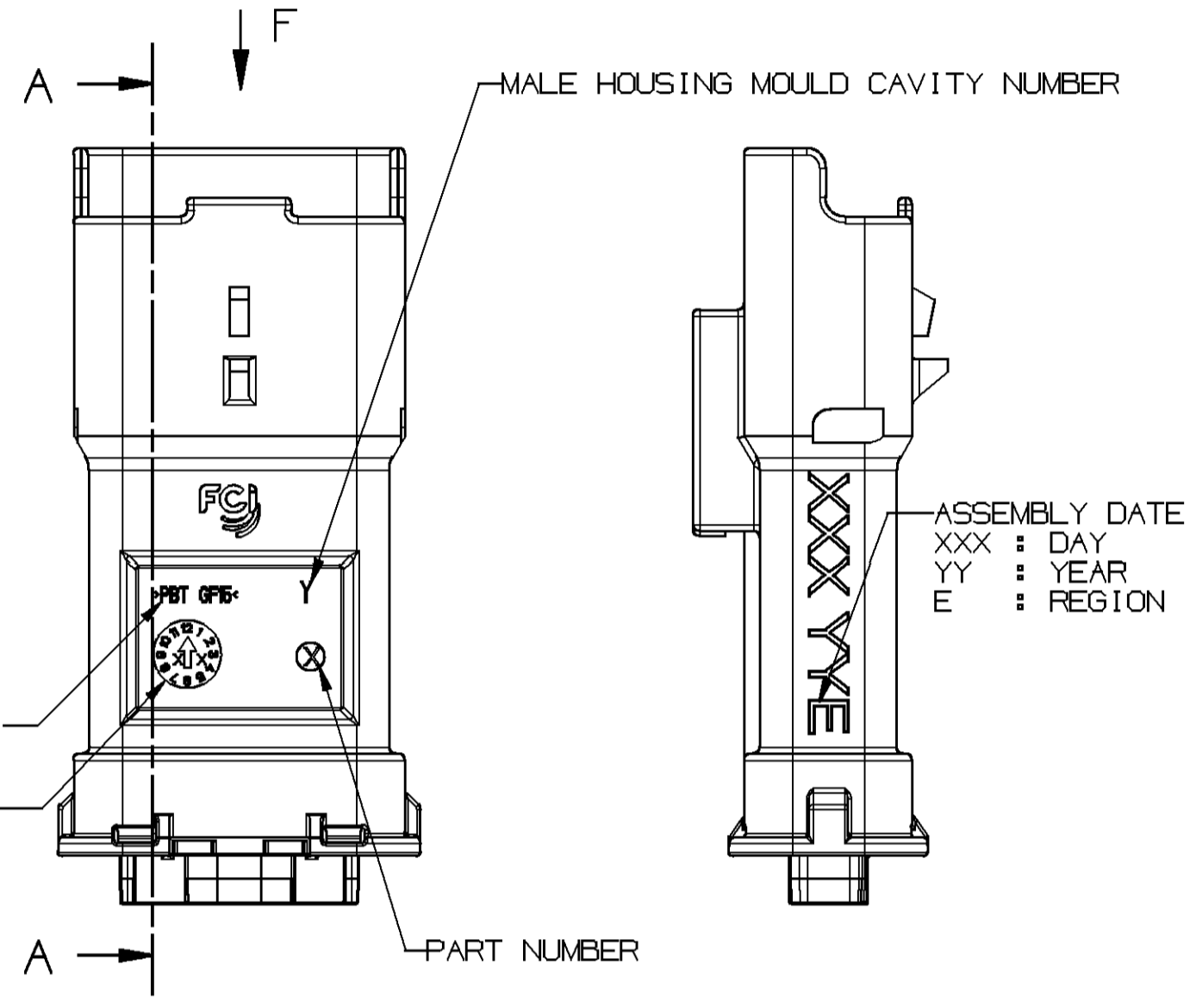
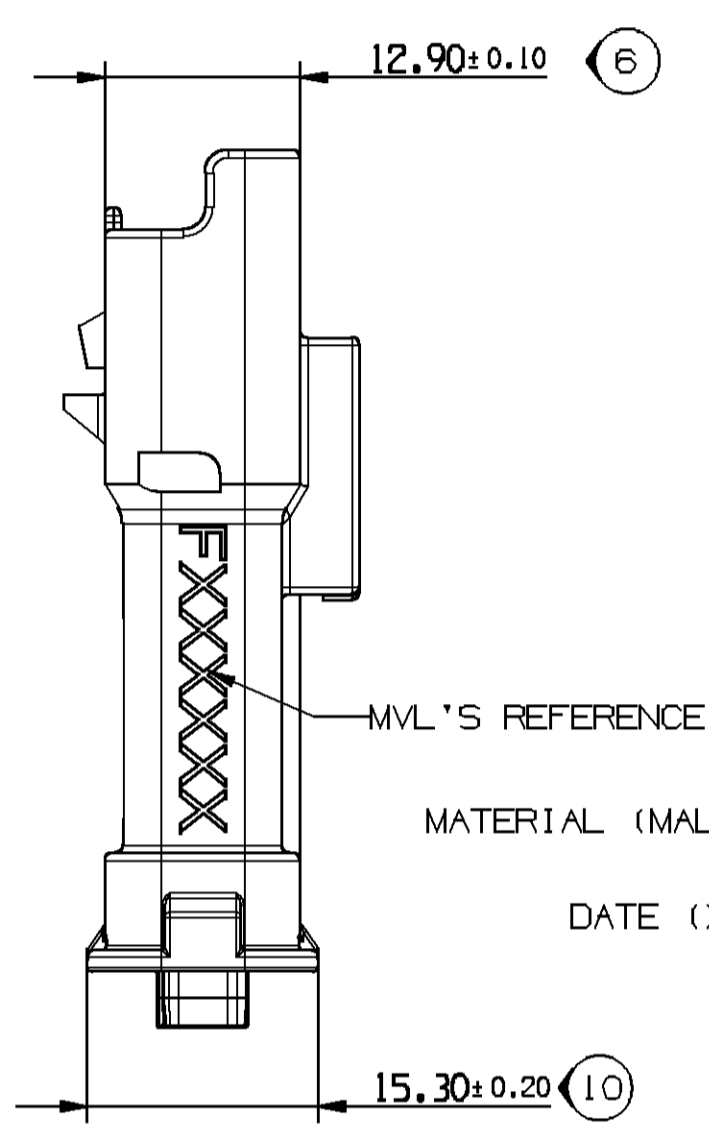
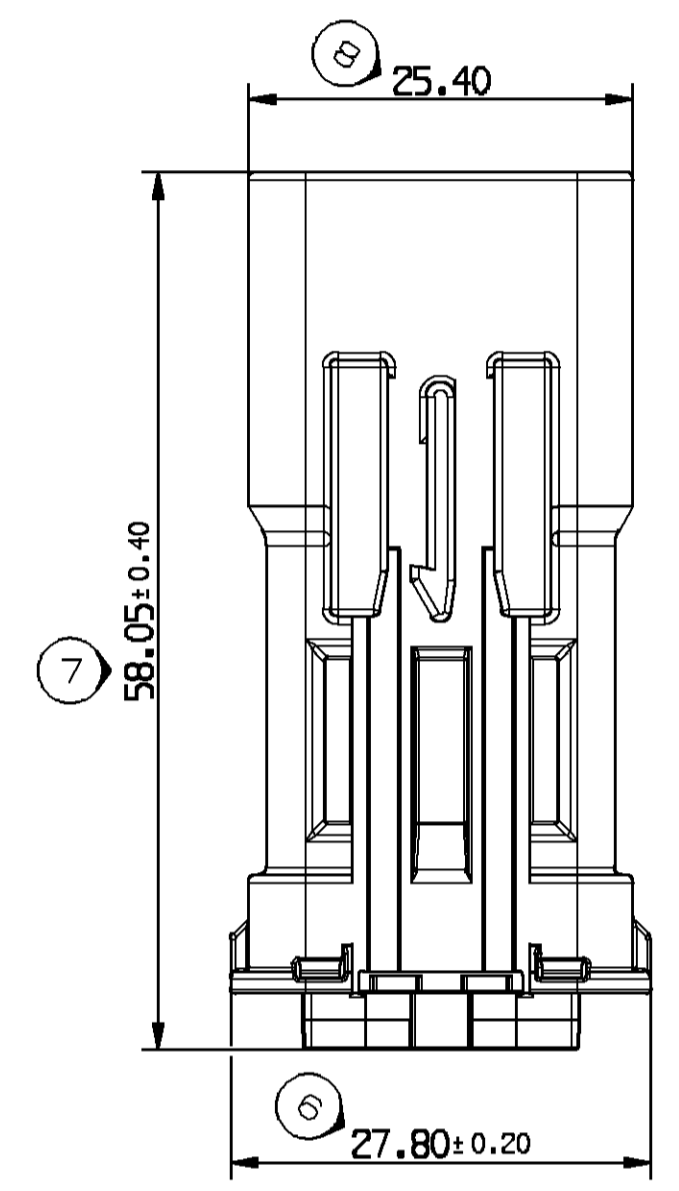
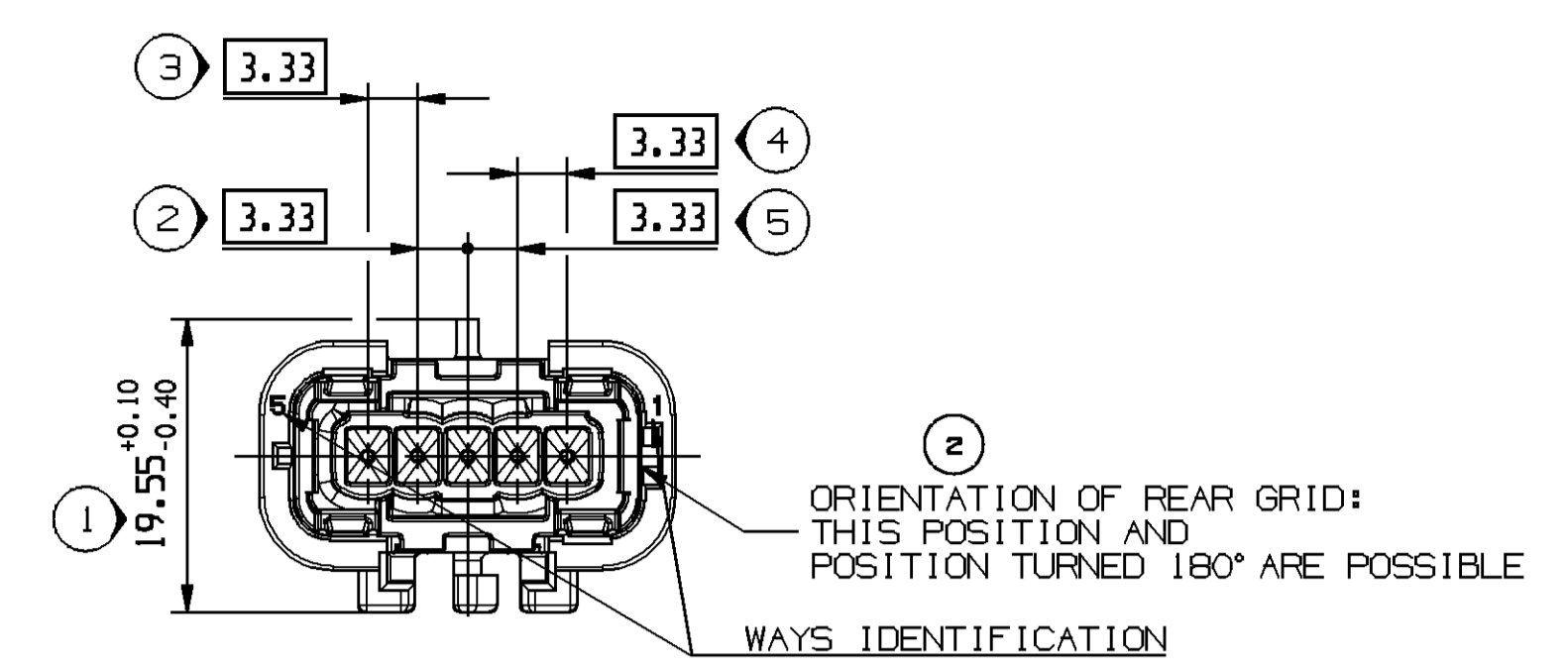
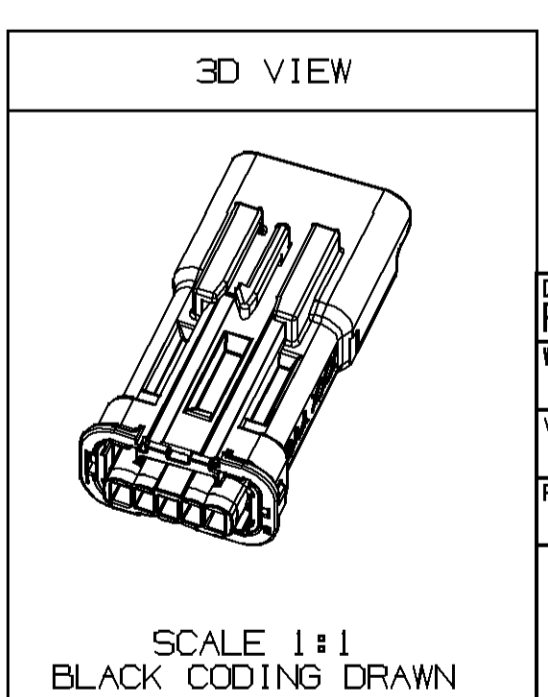
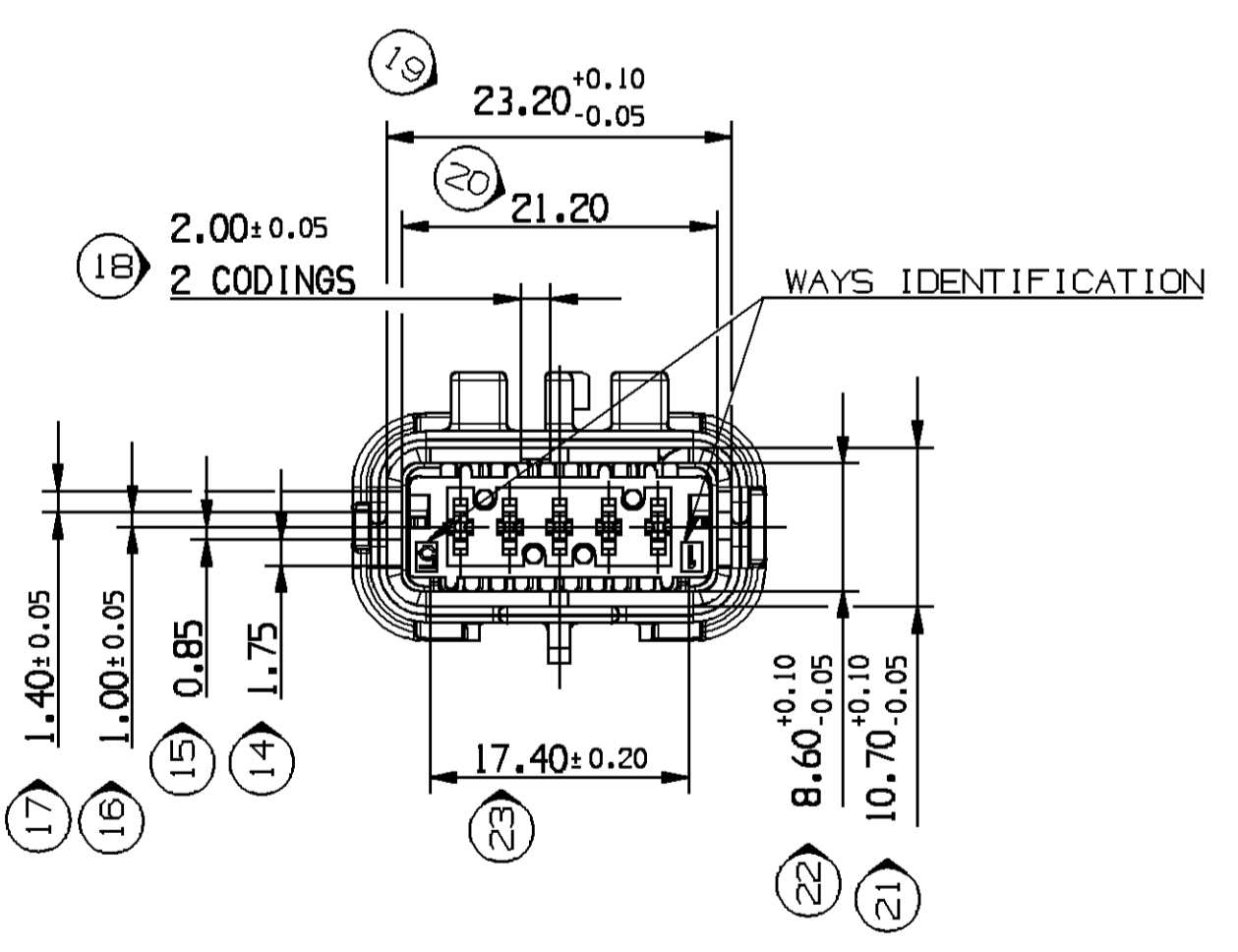


NOTE	SPECIFICATIONS
1	USER'S MANUAL MVL'S REFERENCE: PUL72 - ASSOCIATED PRODUCTS (TERMINAL, PLUG,...) ARE DEFINED IN THE USER'S MANUAL
2	WIRE INSULATION DIAMETER MINI=1.25 MAXI=2.60
3	DELIVERED CONNECTOR WEIGHT : 11 g
4	FEMALE/MALE CONNECTOR MATING FORCE F : 75 N
5	COMPATIBLE WITH CONNECTOR DRAWING PCC0802481

DWG STATUS				REVISION HISTORY			AUTH	DR	APVD 1	APVD 2
DATE	STG	REV/N	P/CHG	ZONE						
29JL14	R	01	-	-	DRAWING NUMBER PCC0816784 BECAME 33517519-CU501			DGL	DGL	DGL
31JL14	R	02	-	-	KEYS OF POLARIZATION OF REAR GRID ARE SUPPRESSED NOTE ADDED FOR REAR GRID DELPHI REFERENCE ADDED IN THE TABLE			SELVA	SANUP	LDIAZ
19FE16	R	02	AA	-	NOTE 1 IN THE TABLE UPDATED			NSUR	SANUP	GJAI



DESCRIPTION	MVL SERIAL REF.	DELPHI SERIAL REF. (2)	MATERIAL	COLOUR
MALE HOUSING	S273700	33521982	PBT GF15	BLACK
	S373700	33521983		BLUE
	S473700	33521984		GREY
	S573700	33521985		RED
	S673700	33521986		PURPLE
TPA	S414700	33521987	PBT GF15	YELLOW
MAT SEAL	C493700	33503346	SILICONE	GREY
REAR GRID	S483700	33512022	PBT GF15	BLACK



UNLESS OTHERWISE SPECIFIED

GENERAL TOLERANCES ACCORDING TO: ±0.1 ±2°

GD&T ACCORDING TO:

REFERENCE MVL DWG - PCC0816784

FIRST ANGLE PROJECTION

DO NOT SCALE

USE MATH DATA

DELPHI
DELPHI PACKARD ELECTRICAL/ELECTRONIC ARCHITECTURE
WARREN, OH

COPYRIGHT 2013 DELPHI CORPORATION AND/OR ITS AFFILIATES. ALL RIGHTS RESERVED.
REVISED 2014

THIS DRAWING IS THE PROPERTY OF DELPHI CORPORATION AND CONTAINS DELPHI CONFIDENTIAL INFORMATION. THE REPRODUCTION, DISTRIBUTION AND UTILIZATION OF THIS DOCUMENT OR ITS RELATED CAD MATH DATA, AS WELL AS COMMUNICATION OF ANY CONTENT TO OTHERS, WITHOUT EXPRESS AUTHORIZATION, IS PROHIBITED.

CE PLAN EST LE PROPRIETE DE DELPHI CORPORATION ET CONTIENT DES INFORMATIONS DELPHI CONFIDENTIELLES. LA REPRODUCTION, LA DISTRIBUTION ET L'UTILISATION DE CE DOCUMENT OU DE SES DONNEES MATHEMATIQUES CAD, ANSI QUE LA COMMUNICATION DE TOUT CONTENU A AUTRUI, SANS AUTORISATION EXPRESSE EST INTERDITE.

DR	DATE
SELVA	31JL14
SANUP	31JL14
LYDIE DIAZ	31JL14
PASCAL MENARD	31JL14

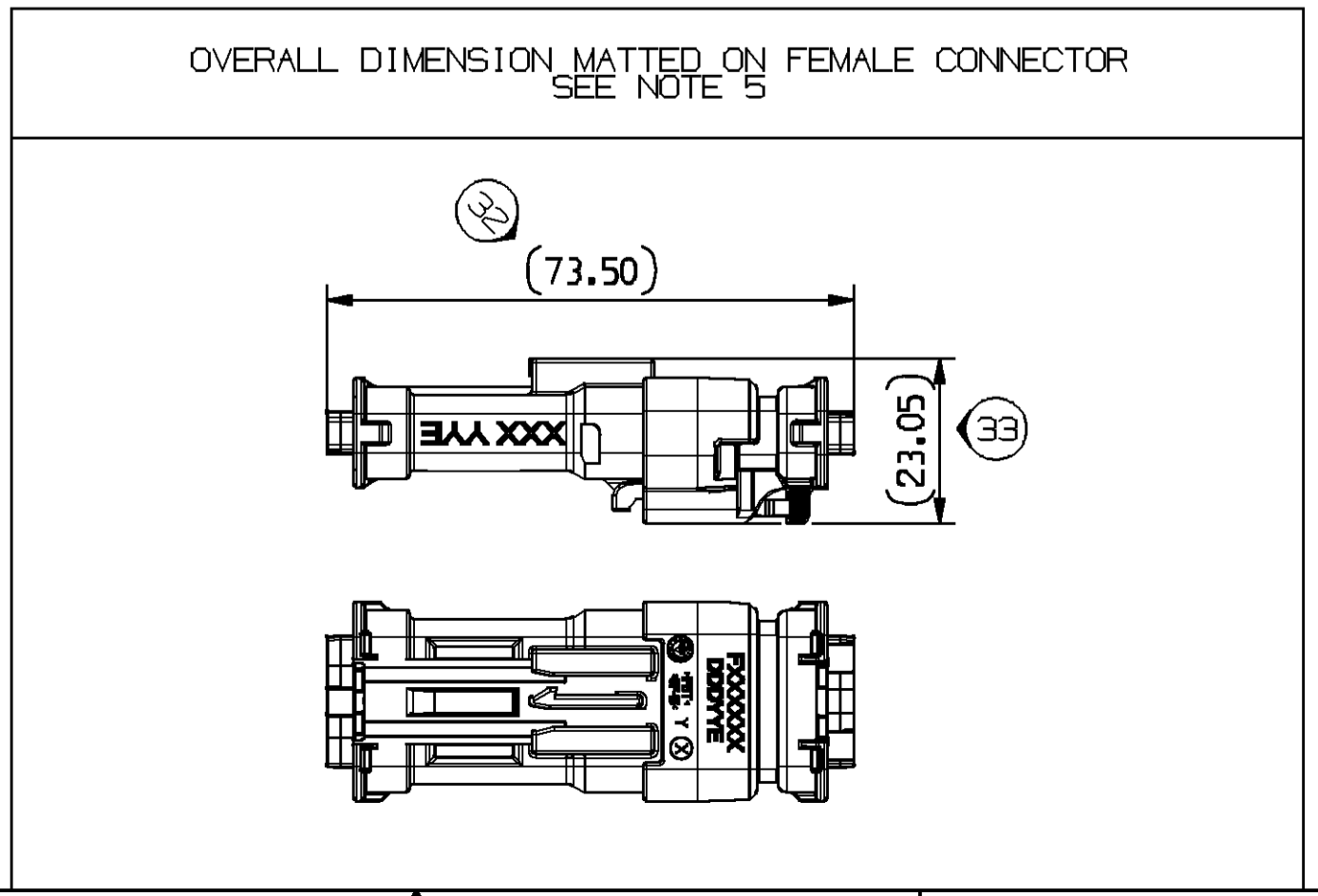
MATERIAL SEE CHART

DRAWING NAME
5-WAY MALE SEALED CONNECTOR
SENSOMATE SICMA 1.5

DRAWING NUMBER
33517519

SIZE	SCALE	FRAME NO	SHEET NO	STG	REV	N/P
A1	2:1	1 OF 1	1 OF 1	R	02	AA

VIEW F	TOLERANCES ±0.10	SCALE 1:1	COLOUR CODING	PART NUMBER	PART REVISION	MVL		
	5.25	7.15	RED coding	F443700	A	33511736	01	DELPHI
	6.80	2.50	PURPLE coding	F543700	A	33511734	01	DELPHI
	3.70	5.60	BLACK coding	F143700	A	13855072	01	DELPHI



X-ON Electronics

Largest Supplier of Electrical and Electronic Components

Click to view similar products for [Automotive Connectors](#) category:

Click to view products by [APTIV](#) manufacturer:

Other Similar products are found below :

[003-018-000](#) [60403001](#) [60993906-B](#) [629515004020001](#) [M902-2131](#) [M902-2161](#) [72.330.1035.1](#) [73.353.4028.0](#) [F119300-B](#) [F166900](#)
[F258300-B](#) [F358300-B](#) [F407400](#) [F444110](#) [F487000](#) [F509500B-B](#) [827153-1](#) [8N1515-32-24P](#) [9-1326729-8](#) [925474-1](#) [928905-1](#) [964562-4](#)
[968782-1](#) [GT17SA-8DS-HU](#) [98891-1012](#) [98947-1016](#) [12004475-L](#) [12010290](#) [12010309-B](#) [12015454](#) [12020219-B](#) [12020308](#) [12041318-B](#)
[12052225-L](#) [12052466](#) [12059125](#) [12064869](#) [12004327-B](#) [12010503-B](#) [12015308](#) [12015384](#) [12015909](#) [1-21030-1](#) [12041254](#) [12041318](#)
[12047946-B](#) [12047957](#) [12047957-L](#) [12059473](#) [12066261](#)