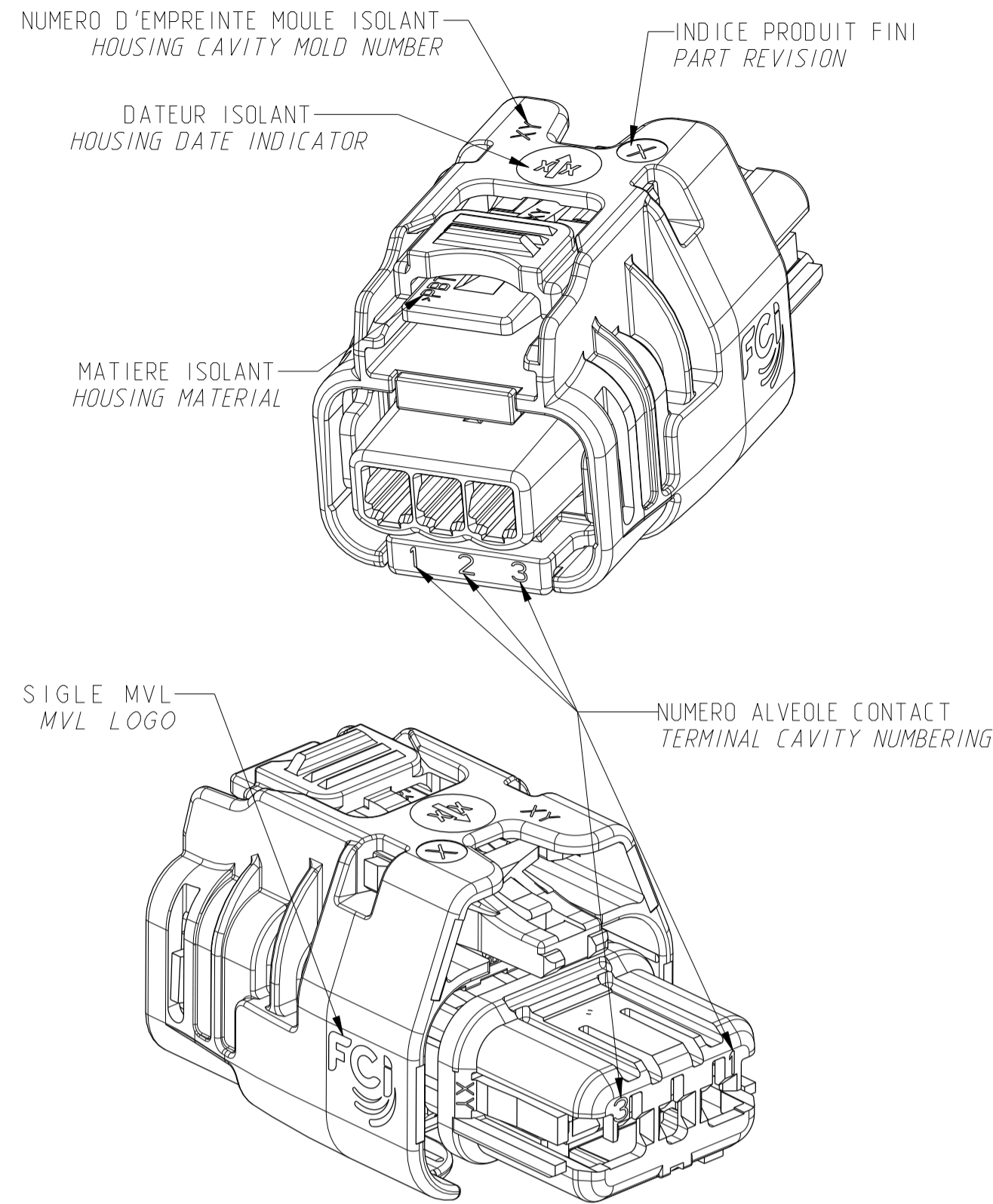
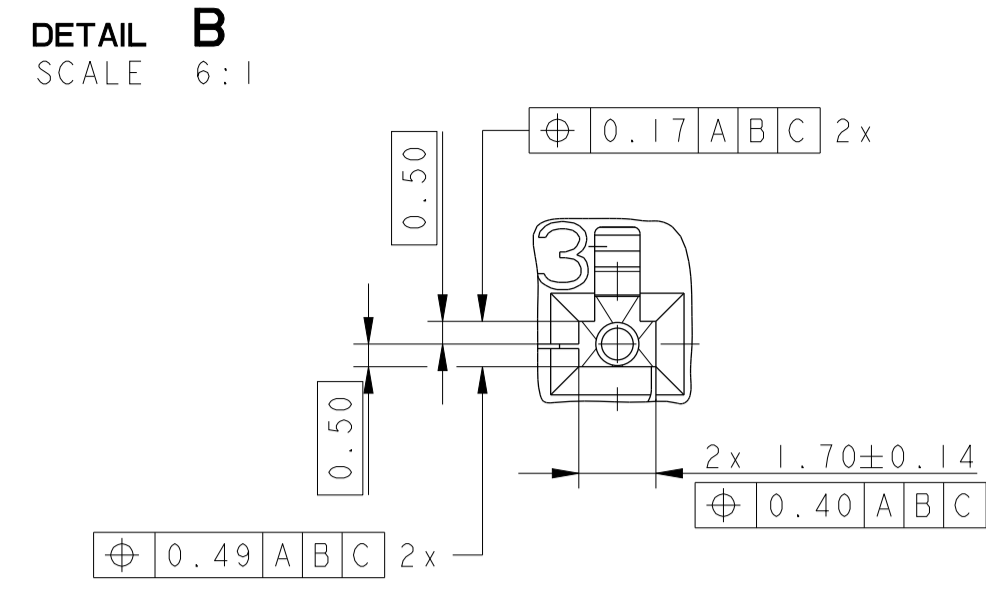


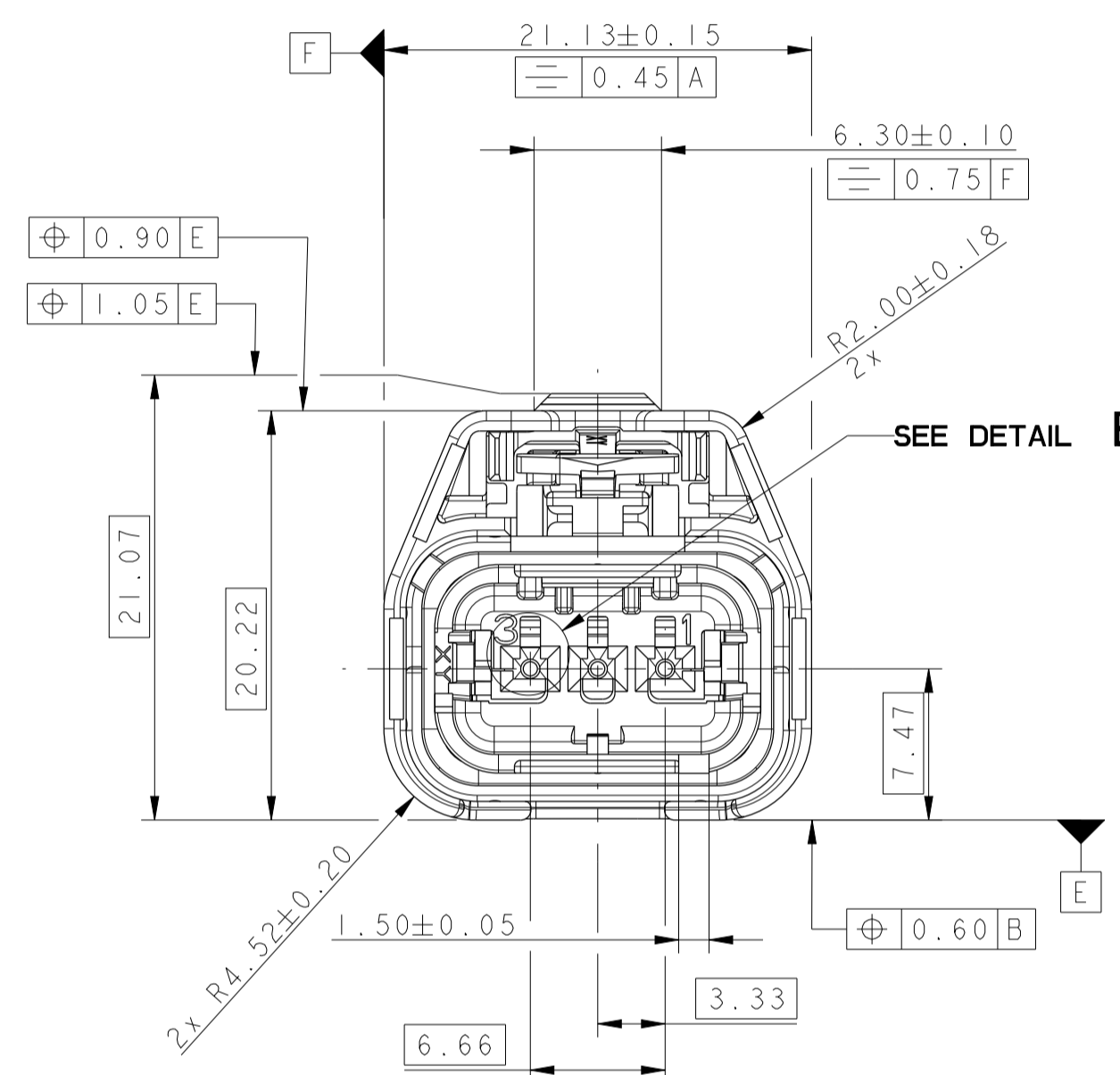
**TRACABILITE ISOLANT = PRODUIT
FEMALE HOUSING TRACEABILITY = PRODUCT**



ALVEOLES 15 / 15 CAVITIES



**VUE DE FACE
FRONT VIEW**

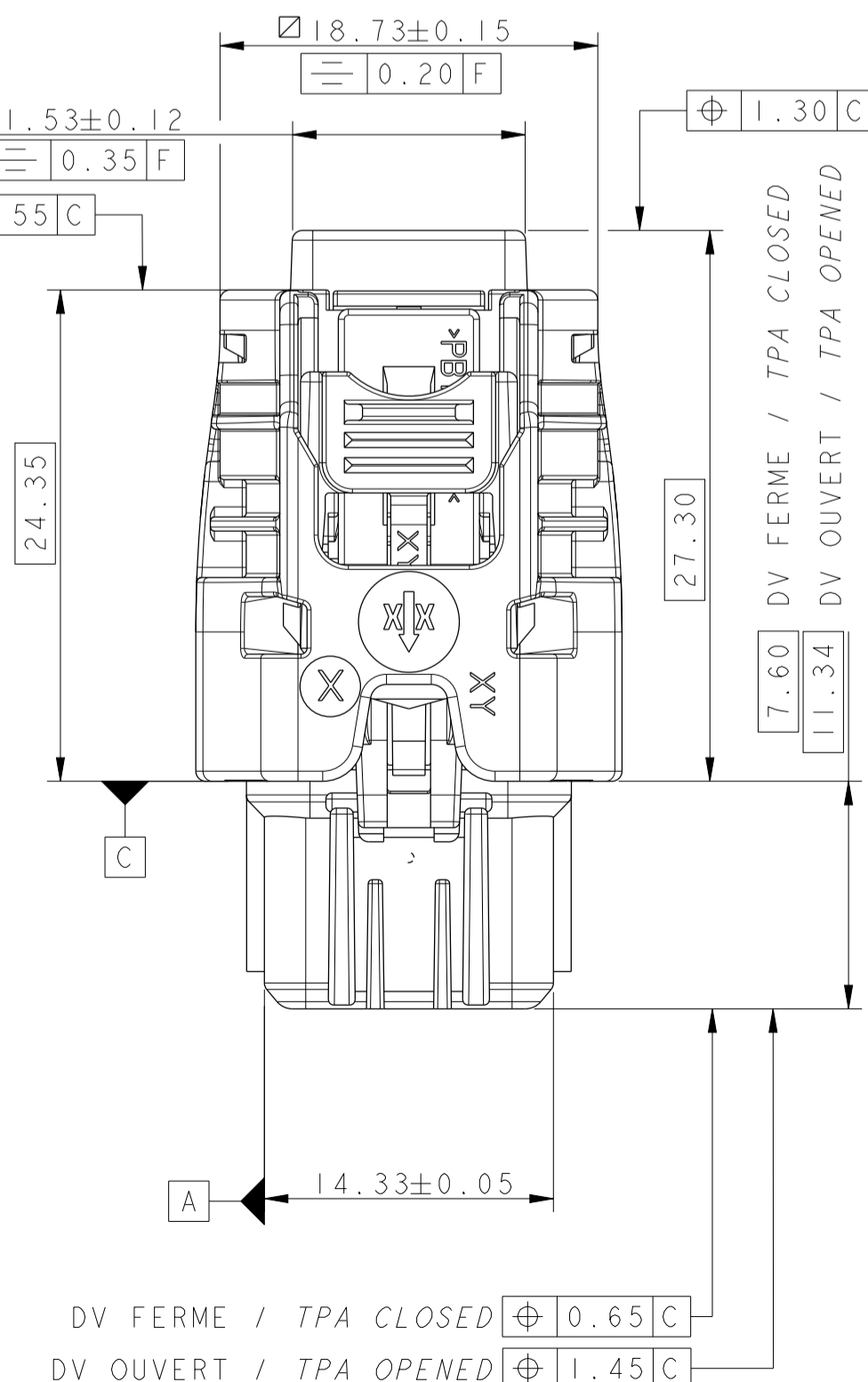


NOTA :

- CLASSE DE TEMPERATURE :
AVEC CONTACTS ETAMES : -40°C ; +125°C
AVEC CONTACTS DORES : -40°C ; +150°C
- CLASSE DE VIBRATION :
3.9g AVEC CONTACTS ETAMES, SUR PORTE-LANGUETTES SANS BUTEE OPTIONNELLE.
15g AVEC CONTACTS ETAMES, SUR EMBASE AVEC BUTEE OPTIONNELLE.
42g AVEC CONTACTS DORES.
- CLASSE D'ETANCHEITE : IMMERSION ± 0.5b
- EFFORT D'ACCOUPEMENT : F<60N
- EFFICACITE TOUS CODAGES : F>90N
EFFORT D'EXTRACTION CPA : F>50N
EFFORT DE FERMETURE DE LA GRILLE DV JUSQU'A 3 MANOEUVRES : 10N<F<40N
EFFORT D'OUVERTURE DE LA GRILLE DV : 15N<F<60N
- REF. MVL MANUEL D'UTILISATION : PUI80
- CONDITIONNEMENT : CONFORME A LA NORME GALIA.
- IDENTIFIANT IMDS : VOIR TABLEAU PAGE 2
- POIDS DU PRODUIT : 0.00682 kg ±10%
- REF. MVL SPECIFICATIONS SERTISSAGE CLIP GTS : FE CS 06 001
- CE PLAN ETANT UN EXTRAIT DU PLAN DE DEFINITION, ON FERA REFERENCE POUR TOUT LITIGE AU PLAN DE DEFINITION.
- ☑ COTE NECESSITANT UNE CAPABILITE (Cmk).
- ZONE ACCROCHAGE POUR CAPOT ARRIERE.

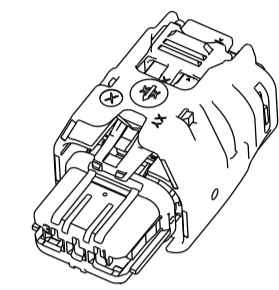
NOTE :

- TEMPERATURE CLASS :
WITH TINNED TERMINALS : -40°C ; +125°C
WITH GOLD PLATED TERMINALS : -40°C ; +150°C
- VIBRATION CLASS :
3.9g WITH TINNED TERMINALS, MATING ON MALE CONNECTOR WITHOUT OPTIONAL STOP FEATURE.
15g WITH TINNED TERMINALS, MATING ON PIN HEADER EQUIPPED WITH OPTIONAL STOP FEATURE.
42g WITH GOLD PLATED TERMINALS.
- SEALING CLASS : IMMERSION ±0.5b
- MATING FORCE : F<60N
- ALL CODINGS EFFICIENCY: F>90N
CPA EXTRACTION FORCE : F>50N
TPA LOCKING FORCE, UP TO 3 MANOEUVRES: 10N<F<40N
TPA UNLOCKING FORCE : 15N<F<60N
- USER'S MANUAL MVL REF : PUI80
- PACKAGING : ACCORDING TO GALIA NORM
- IMDS ID : SEE TABLE ON PAGE 2
- MASS OF THE PRODUCT : 0.00682 kg ±10%
- CRIMPING SPECIFICATION MVL REF : FE CS 06 001
- THE PRESENT DRAWING BEING AN ABSTRACT OF THE DEFINITION DRAWING, ANY DISPUTE WILL BE REFERRED TO THE DEFINITION DRAWING.
- ☑ DIMENSION FOR PROCESS CAPABILITY (Cmk) CHECK.
- FIXING AREA FOR A REAR COVER.

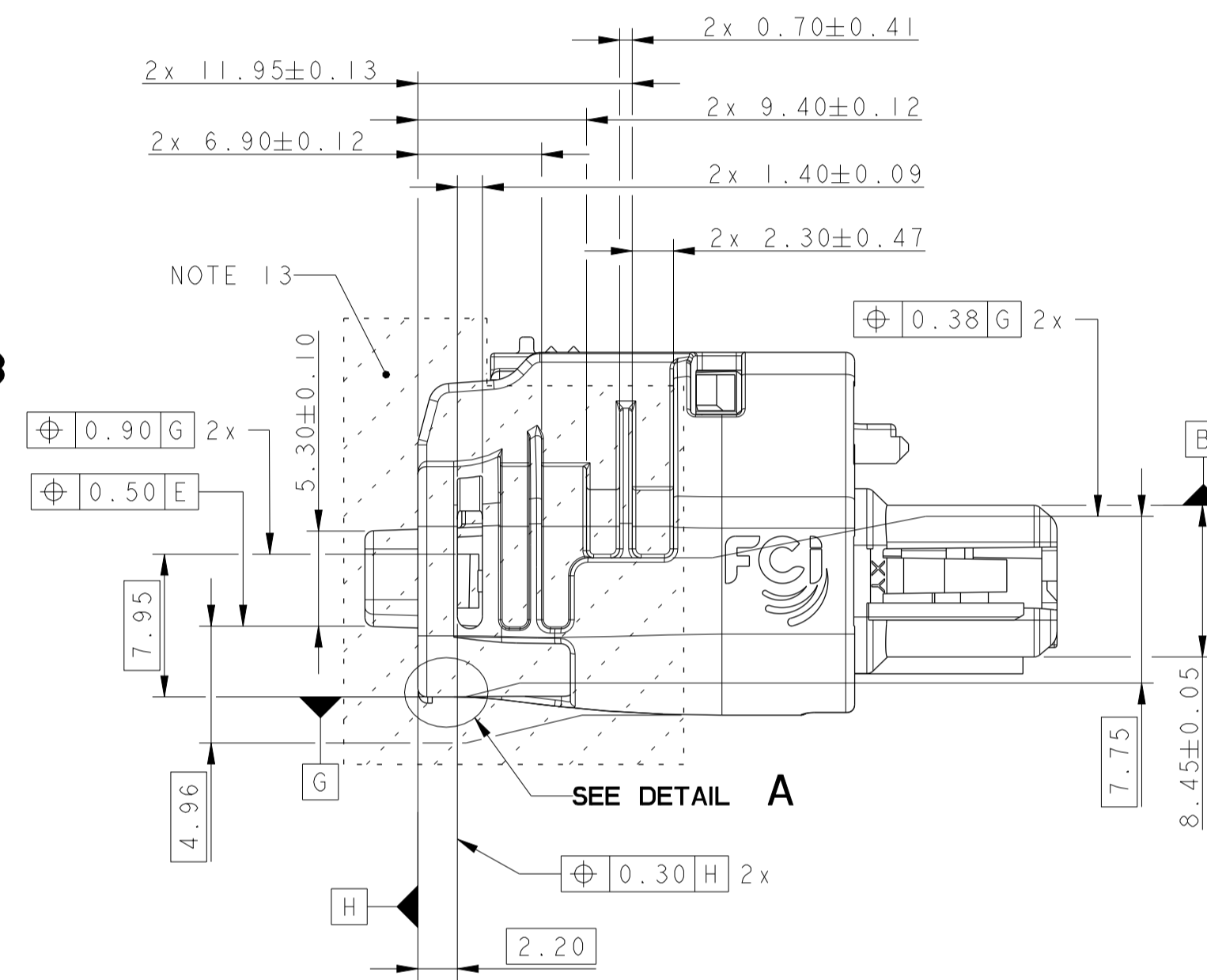


PRODUITS ASSOCIES (POUR INFORMATION) / ASSOCIATED PARTS (INFORMATION)

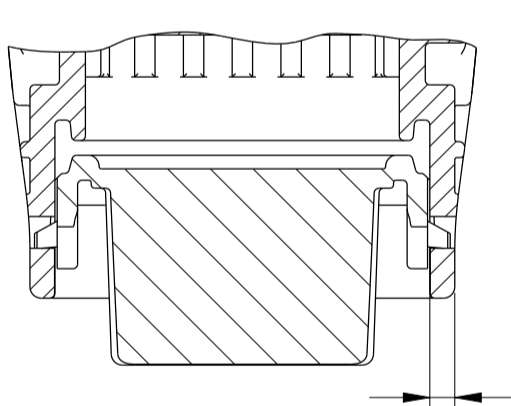
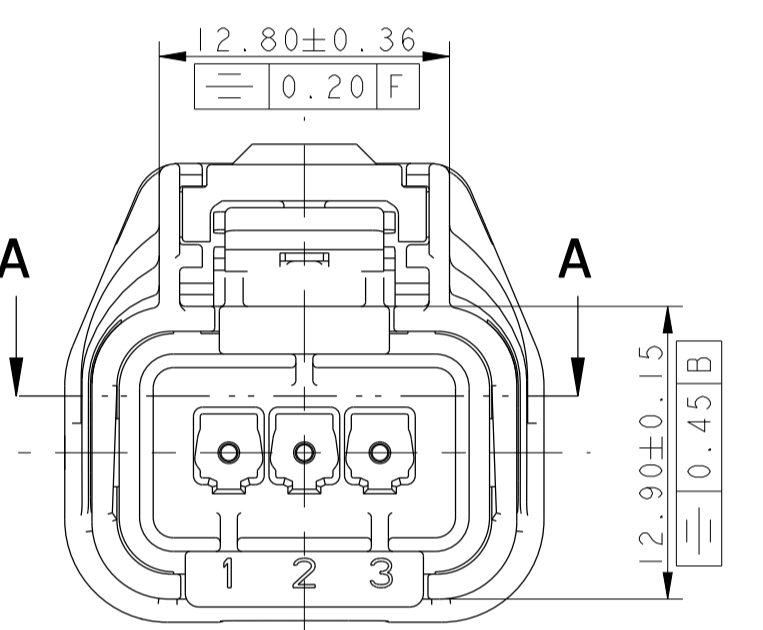
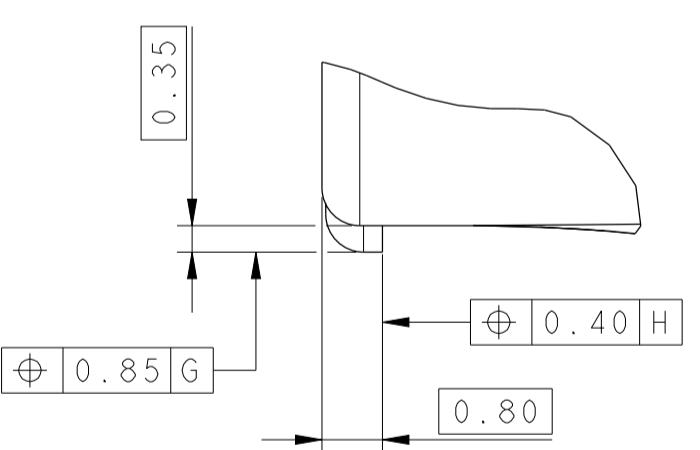
SECTION	CLIPS GTS2 15 ETAME GTS2 15 TINNED FEMALE TERMINAL UTILISATION JUSQU'A 125°C USING UNTIL TEMPERATURE 125°C REF. MVL / MVL P/N REF DELPHI / DELPHI P/N	CLIPS GTS2 15 DORE 127µm GTS2 15 Au PLATED 127µm FEMALE TERMINAL UTILISATION JUSQU'A 150°C USING UNTIL TEMPERATURE 150°C REF. MVL / MVL P/N REF DELPHI / DELPHI P/N	DIAMETRE EXT DU FIL EXTERNAL DIAMETER OF WIRE	BOUCHON / PLUG MVL REF. / MVL P/N
0.35 mm ² ISOLANT AUGMENTE INCREASED INSULATION	F761110 33510897	/	1.4 MINI 2.8 MAXI	F180100
0.5 - 0.85 mm ²	PPI0001580 13648599	F861110 33510900		
1.0 - 1.3 mm ²	PPI0001483 13741954	F961110 33510905		
1.4 - 2.0 mm ²	PPI0001484 13749482	F071110 33510909		



ECHELLE / SCALE 1:1



DETAIL A
SCALE 10:1



SECTION A-A

**CODAGE NOIR REPRESENTE
BLACK CODING SHOWN**

14-06602

ECN-NO. NUMERO ECH	POSITION POSITION	CHANGE DESCRIPTION MODIFICATION
		INITIAL ISSUE

PROJECT SPEC. SPECIF. PRODUIT	PACKAGING SPEC. SPECIF. EMBALAGE	APPLICATION SPEC. SPECIF. APPLICATION	COPYRIGHT DELPHI CORPORATION AND/OR ITS AFFILIATES. ALL RIGHTS RESERVED. REVISED THIS DRAWING IS THE PROPERTY OF DELPHI CORPORATION AND CONTAINS DELPHI CONFIDENTIAL INFORMATION. THE REPRODUCTION, DISTRIBUTION AND SALE OF THIS DOCUMENT IS PROHIBITED WITHOUT EXPRESS AUTHORIZATION. LE DROIT DE PROPRIETE INTELLECTUELLE DE DELPHI CORPORATION ET/OU DE SES FILIALES EST RESERVE. LA REPRODUCTION, LA DISTRIBUTION ET LA VENTE DE CE DOCUMENT SANS LAutorisation PREALABLE EST INTERDITE.
TOLERANCES TOLERANCES	±0.1	±2*	MATERIAL : MATERIE :
CONTRACT N° CONTRAT N°			COLOUR : COULEUR :
DO NOT MEASURE DRAWING NE PAS MESURER LE DROIT			ISO PROJECTION PROJECTION ISO
DATE	NAME NOM	TITLE DESIGNATION	ECO EXP. CODE CODE E.C.
CREATED BY CREEVEUR	DATE DATE	NAME NOM	ECO EXP. CODE CODE E.C.
APPROVED BY APPROUVEUR	DATE DATE	NAME NOM	ECO EXP. CODE CODE E.C.
FILE NAME NOM DE FICHER	PROJECT PROJET	DESIGNATION DESIGNATION	ECO EXP. CODE CODE E.C.

DELPHI ELECTRICAL/ELECTRONIC ARCHITECTURE
ELECTRONIQUE

3 WAY FEMALE CONNECTOR

GEN3 GTS2 FEMALE CONNECTOR

DRAWING NUMBER
REF. PLAN

DATE
ETAT

PART NUMBER
REF. ARTICLE

REVISION
REV.

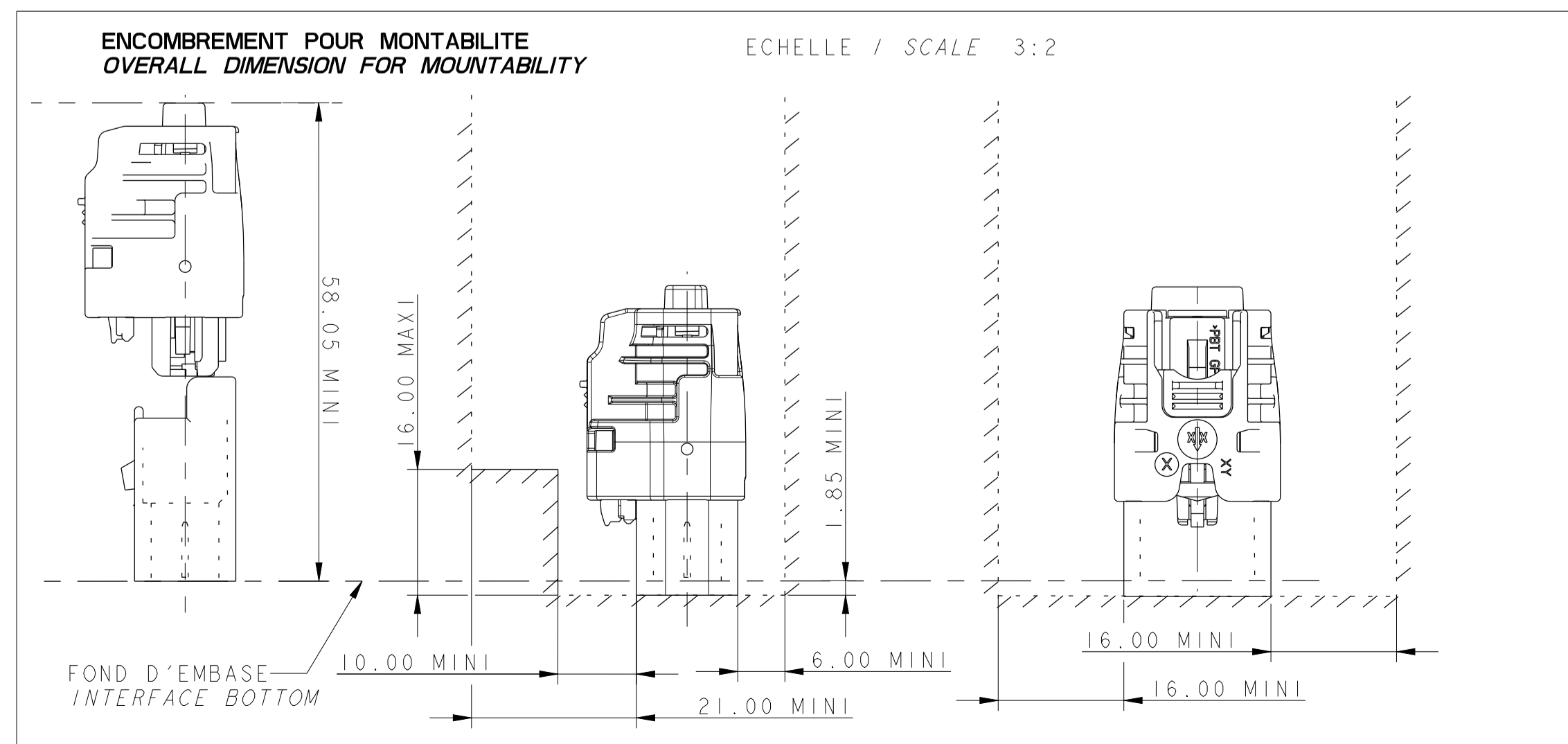
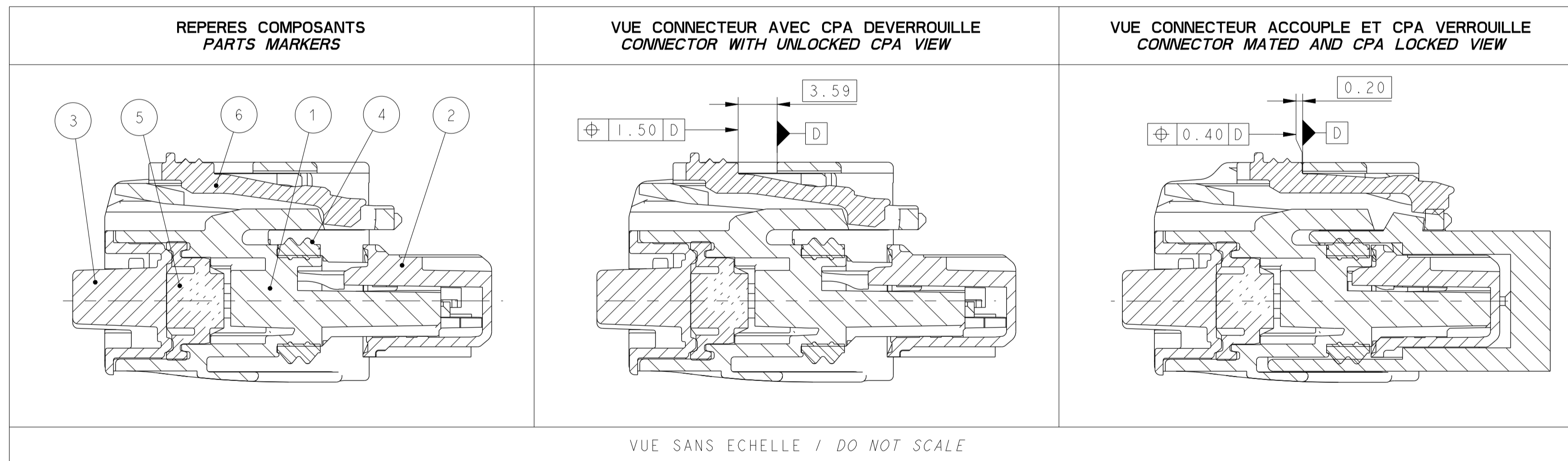
APPROVAL LEVEL
NIVEAU D'APPROBATION

SHEET NUMBER
FICHER

SCALE
E.C.H.

See Table

		REF.MVL / MVL P/N	F413600 REV. B	F513600 REV. B	F613600 REV. B	F713600 REV. B	F813600 REV. B	F913600 REV. B	F023600 REV. B	F123600 REV. B	F223600 REV. B	
		REF DELPHI / DELPHI P/N	33512575 REV 01	-	33512576 REV 01	-	13858251 REV 01	13898956 REV 01	-	-	13791831 REV 01	
		IDENTIFIANT IMDS / IMDS ID	133467098	133776761	133777241	133777402	133777535	133777760	133777819	133777860	133777951	
		REF. EMPREINTE / FOOTING'S REF									211FT0289	
		CODAGE MECANIQUE / MECHANICAL KEY	NOIR / BLACK	BLEU / BLUE	GRIS / GREY	JAUNE / YELLOW	VERT / GREEN	MARRON / BROWN	BLANC / WHITE	ROUGE / RED	ORANGE / ORANGE	
M	Echelle / Scale 2:1	CODAGE / KEY	SUIVANT VUE DE FACE PAGE 1 FOLLOWING FRONT VIEW ON SHEET 1 TOLERANCE ±0.05									
REPERE MARK	6	CPA CPA	REF.MVL / MVL P/N				C187300					
			COULEUR / COLOR				BLEU / BLUE					
			MATIERE / MATERIAL				PBT 15% FV / PBT GF 15					
REPERE MARK	5	GROMMET GROMMET	REF.MVL / MVL P/N				C057500					
			COULEUR / COLOR				GRIS / GREY					
			MATIERE / MATERIAL				SILICONE LSR / LSR SILICON					
REPERE MARK	4	JOINT INTERFACIAL INTERFACE SEAL	REF.MVL / MVL P/N				PP1000855					
			COULEUR / COLOR				BLEU / BLUE					
			MATIERE / MATERIAL				SILICONE LSR / LSR SILICON					
REPERE MARK	3	GRILLE ARRIERE REAR GRID	REF.MVL / MVL P/N				C577500					
			COULEUR / COLOR				NOIR / BLACK					
			MATIERE / MATERIAL				PBT 15% FV / PBT GF 15					
REPERE MARK	2	GRILLE DV TPA	C677500	C777500	C877500	C977500	C087500	C187500	C287500	C387500	C313600	
			COULEUR / COLOR									
			MATIERE / MATERIAL									
REPERE MARK	1	ISOLANT FEMALE HOUSING	REF.MVL / MVL P/N				C477500					
			COULEUR / COLOR				NOIR / BLACK					
			MATIERE / MATERIAL				PBT 15% FV / PBT GF 15					



14-06602	SEE SHEET 1		CHANGE DESCRIPTION	
ECN-NO. NUMERO ECN	POSITION POSITION	MODIFICATION		
PROJECT SPEC. SPECIF. PRODUIT	PACKAGING SPEC. SPECIF. EMBALLAGE	APPLICATION SPEC. SPECIF. APPLICATION	COPYRIGHT DELPHI CORPORATION AND/OR ITS AFFILIATES. ALL RIGHTS RESERVED. REVISED THIS DRAWING IS THE PROPERTY OF DELPHI CORPORATION AND CONTAINS DELPHI CONFIDENTIAL INFORMATION. THE REPRODUCTION, DISTRIBUTION AND RELEASE OF THIS DOCUMENT TO ANY OTHER PARTY WITHOUT EXPRESS AUTHORIZATION IS PROHIBITED.	
TOLERANCES TOLERANCES	±0.1	±2'	MATERIAL: SEE TABLE	STATE DE SURFACE
CONTRIBUTOR: COMTE PARTS #	COLOR: SEE TABLE	TOOL NO. SPECIF. #	ECO EXP: 644	FE
DO NOT MEASURE DRAWING NE PAS MESURER LE DROIT	ISO PROJECTION PROJECTION ISO	CODE M. C.	DELPHI DELPHI PACKARD ELECTRICAL/ELECTRONIC ARCHITECTURE EPHEMER, FRANCE	
DATE DATE	NAME NOM	TITLE TITRE	DRAWING NUMBER REF. PLAN	REV. IND.
CREATED BY: COLLETTI	DATE: 2014/09/17	DESIGNATION: 3-WAY FEMALE CONNECTOR	PCC0835797	A
MODIFIED BY: ANTOINETTE	DATE: 2014/09/17	PROJECT: F PALMISTE	STATE ETAT	SHEET FEUILLE
DESIGNED BY: JERRY	DATE: 2014/09/19	PROJECT: B LACOTE	PART NUMBER REF. ARTICLE	REV. IND.
APPROVED BY: PASCAL	DATE: 2014/09/20	PROJECT: GEN3 GTS2 FEMALE CONNECTOR	SCALE ECHELLE	3:1
FILE NAME: PCC0835797	DOCUMENT NUMBER POUR CONSULTER DOCUMENT: PCC0835797	ECO EXP: 644	See Table	

X-ON Electronics

Largest Supplier of Electrical and Electronic Components

Click to view similar products for [Automotive Connectors](#) category:

Click to view products by [APTIV](#) manufacturer:

Other Similar products are found below :

[003-018-000](#) [60403001](#) [60993906-B](#) [629515004020001](#) [M902-2131](#) [M902-2161](#) [72.330.1035.1](#) [73.353.4028.0](#) [F119300-B](#) [F166900](#)
[F258300-B](#) [F358300-B](#) [F407400](#) [F444110](#) [F487000](#) [F509500B-B](#) [827153-1](#) [8N1515-32-24P](#) [9-1326729-8](#) [925474-1](#) [928905-1](#) [964562-4](#)
[968782-1](#) [GT17SA-8DS-HU](#) [98891-1012](#) [98947-1016](#) [12004475-L](#) [12010290](#) [12010309-B](#) [12015454](#) [12020219-B](#) [12020308](#) [12041318-B](#)
[12052225-L](#) [12052466](#) [12059125](#) [12064869](#) [12004327-B](#) [12010503-B](#) [12015308](#) [12015384](#) [12015909](#) [1-21030-1](#) [12041254](#) [12041318](#)
[12047946-B](#) [12047957](#) [12047957-L](#) [12059473](#) [12066261](#)