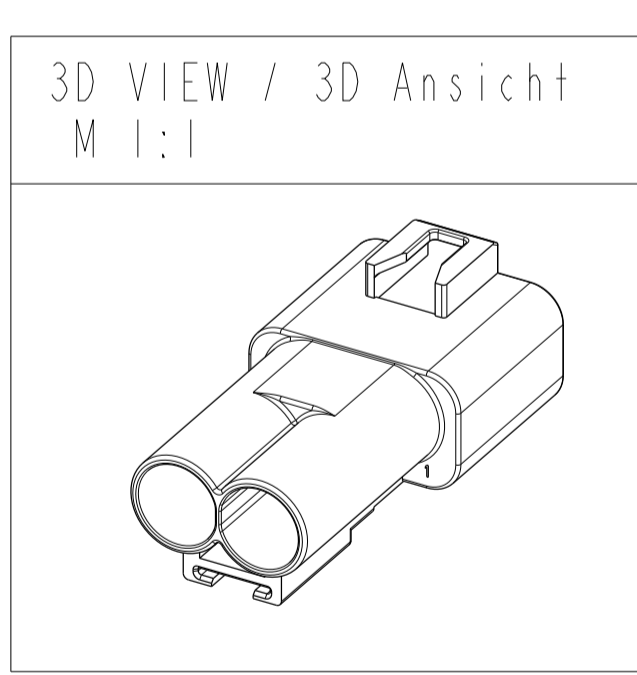


| NOTES / Bemerkungen |  |
|---------------------|--|
| 1                   | MATERIAL IDENTIFICATION CODE ACC. VDA260<br>Materialkennzeichnung nach VDA260  |
| 2                   | DATA CLOCK<br>Datumsuhr  |
| 3                   | CAVITY MARK<br>Nestmarkierung  |
| 4                   | MVL COMPANY LOGOTYP<br>MVL Firmenlogo  |
| 5                   | CAVITY-NO.<br>Kammernummerierung   |
| 6                   | REVISION INDEX SEE TABLE<br>Änderungsindex siehe Tabelle                       |
| 7                   | MVL ASSEMBLY PART-NO.<br>MVL Bauteil-Nr.                                       |
| 8                   | ONLY THE GERMAN LANGUAGE SHALL BE BINDING<br>Nur der deutsche Text ist bindend |

| PART-NO.<br>Teilenr. | REV. INDEX | PART-NO.<br>Teilenr. | REV. INDEX | ITEM<br>Position | QUANTITY<br>Menge | NAME<br>Benennung              | MATERIAL<br>Material | COLOUR<br>Farbe           | MVL PART-NO.                                | DELPHI PART-NO. |
|----------------------|------------|----------------------|------------|------------------|-------------------|--------------------------------|----------------------|---------------------------|---|-----------------|
| F264200              | C          | 33500401             | 01         | 2                | 1                 | TPA<br>Kontaktsicherung        | PBT-GF10             | BLUE<br>blau              | FEMALE CONNECTOR 2-POS.<br>PART NO. F064200 | 33500397        |
|                      |            |                      |            | 1                | 1                 | HOUSING 2-WAY<br>Gehäuse 2-pol | PBT+ASA-GF30         | BLACK<br>Schwarz          | Buchsengehäuse 2-pol.<br>Teile Nr. F064200  |                 |
|                      |            |                      |            |                  |                   |                                |                      | COUNTERPART<br>Gegenstück |   |                 |

| DESCRIPTION<br>Benennung              | PART-NO.<br>Teilenr. | PART-NO.<br>Teilenr. | WIRE CROSS SECTION (mm²)<br>Leitungsquerschnitt (mm²) | MATERIAL / SURFACE<br>Werkstoff / Oberfläche | PART-NO.<br>Teilenr. | PART-NO.<br>Teilenr. | FOR INSULATION Ø (mm)<br>für Isolations Ø (mm) | COLOR<br>Farbe   | CRIMP SPEC<br>Crimpspezifikation |
|---------------------------------------|----------------------|----------------------|---|--|----------------------|----------------------|--|------------------|----------------------------------|
|                                       |                      |                      |   |  |                      |                      |  |                  |                                  |
| 2x<br>MALE TERMINAL<br>9.5mm<br>(FCT) | MVL                  | DELPHI               | >6.00 - 10.00   | CuFe2P R420 / Ag                             | 6 099 33 04          | 10889241             | 5.40 - 6.50                                    | YELLOW<br>gelb   | 9 084 06 00                      |
|                                       |                      |                      |   |  |                      |                      |  |                  |                                  |
|                                       |                      |                      | >4.00 - 6.00  | CuFe2P R420 / Ag                             | 6 099 33 08          | 13546490             | 3.40 - 4.40                                    | GREEN<br>gruen   |                                  |
|                                       |                      |                      |   |  |                      |                      |  |                  |                                  |
|                                       |                      |                      | >6.00 - 10.00   | CuFe2P R420 / Sn                             | 6 099 33 01          | 15327788             | 4.00 - 5.00                                    | BLACK<br>schwarz |                                  |
|                                       |                      |                      |   |  |                      |                      |  |                  |                                  |
|                                       | >4.00 - 6.00         | CuFe2P R420 / Sn     | 6 099 33 04   | 10889241                                     | 5.40 - 6.50          | YELLOW<br>gelb       |  |                  |                                  |
|                                       |                      |                      |   |  |                      |                      | CuSn4 F47 / Sn                                 | 6 099 33 01      | 15327788                         |
|                                       | >2.50 - 4.00         | CuFe2P R420 / Sn     | 6 099 33 08   | 13546490                                     | 3.40 - 4.40          | GREEN<br>gruen       |  |                  |                                  |
|                                       |                      |                      |   |  |                      |                      | CuSn4 F47 / Sn                                 | 6 099 33 04      | 10889241                         |
|                                       | >6.00 - 10.00        | CuFe2P R420 / Sn     | 6 099 33 01   | 15327788                                     | 4.00 - 5.00          | BLACK<br>schwarz     |  |                  |                                  |
|                                       |                      |                      |   |  |                      |                      | CuSn4 F47 / Sn                                 | 6 099 33 08      | 13546490                         |
| >4.00 - 6.00                          | CuFe2P R420 / Sn     | 6 099 33 04          | 10889241  | 5.40 - 6.50                                  | YELLOW<br>gelb       |                      |  |                  |                                  |
|                                       |                      |                      |   |  |                      | CuSn4 F47 / Sn       | 6 099 33 01                                    | 15327788         | 4.00 - 5.00                      |
| >2.50 - 4.00                          | CuFe2P R420 / Sn     | 6 099 33 08          | 13546490  | 3.40 - 4.40                                  | GREEN<br>gruen       |                      |  |                  |                                  |
|                                       |                      |                      |   |  |                      | CuSn4 F47 / Sn       | 6 099 33 04                                    | 10889241         | 5.40 - 6.50                      |
| >6.00 - 10.00                         | CuFe2P R420 / Sn     | 6 099 33 01          | 15327788  | 4.00 - 5.00                                  | BLACK<br>schwarz     |                      |  |                  |                                  |
|                                       |                      |                      |   |  |                      | CuSn4 F47 / Sn       | 6 099 33 08                                    | 13546490         | 3.40 - 4.40                      |



CUSTOMER NEUTRAL VERSION  
Kundenneutrale Variante

|  |                                      |   |
|--|--------------------------------------|---|
| 13-00543   | AE 12-16                             | REDRAWN IN DELPHI TITLE BLOCK, SEE REV. "B" FOR PREVIOUS CHANGES<br>BOM TABLE MODIFIED AND DELPHI P/N |
| ECH-NR.<br>Eck-Nummer  | POSITION<br>Position                 | CHANGE DESCRIPTION<br>ÄNDERUNGSBESCHREIBUNG   |
| PROJECT SPEC.<br>PROJEKT-SPEZ.   | PACKAGING SPEC.<br>VERPACKUNGS-SPEZ. | APPLICATION SPEC.<br>ANWENDUNGS-SPEZ.   |
|  |                                      | 9 902 115 10  |
| <small>THIS DRAWING IS THE PROPERTY OF DELPHI CORPORATION AND CONTAINS DELPHI CONFIDENTIAL INFORMATION. THE REPRODUCTION, DISTRIBUTION AND RELEASE OF THIS DRAWING OR ITS CONTENTS TO OTHERS, WITHOUT EXPRESS AUTHORIZATION, IS PROHIBITED. DIESES ZEICHNUNG IST EIGENTUM VON DELPHI CORPORATION UND ENTHÄLT VERTRAULICHE INFORMATIONEN. DIE WIEDERGABE, VERBREITUNG ODER FREILEGUNG DIESER ZEICHNUNG ODER IHRER INHALTE AN ANDERE OHNE AUSDRÜCKLICHE ZULASSUNG WIRD VERBODEN.</small> |                                      |   |
| TOLERANCES<br>TOLERANZEN   | ±0.2 ±0.2*                           | MATERIAL -<br>MATERIAL: SEE TABLE<br>Farbe: SEE TABLE   |
| CONTRACT NO.<br>VERTRAGS-NR.   | SEE TABLE                            | DELPHI  |
| DO NOT REASURE DRAWING<br>NICHT WIEDERHERSTELLEN   |                                      | DELPHI ELECTRICAL/ELECTRONIC ARCHITECTURE<br>DELPHI ELEKTROELEKTRONISCHES ARCHITECTUR                 |
| DATE<br>Datum  | NAME<br>Name                         | DRAWING NUMBER<br>ZEICHN.-NUMMER  |
| 2019/09/16   | B. NATARAJAN                         | PCC0576823  |
| 2019/09/16   | Subashini ANUP                       | STATUS<br>STATUS  |
| 2019/09/16   | M. SCHINDHELM                        | PART NUMBER<br>TEILNUMMER   |
| 2019/09/16   | CHR. HOERHORN                        | REV.<br>INDEX   |
|  |                                      | 1   |
|  |                                      | SCALE<br>MASSSTAB   |
|  |                                      | 2:1   |

## X-ON Electronics

Largest Supplier of Electrical and Electronic Components

*Click to view similar products for [Automotive Connectors](#) category:*

*Click to view products by [APTIV](#) manufacturer:*

Other Similar products are found below :

[003-018-000](#) [60403001](#) [60993906-B](#) [629515004020001](#) [M902-2131](#) [M902-2161](#) [72.330.1035.1](#) [73.353.4028.0](#) [F119300-B](#) [F166900](#)  
[F258300-B](#) [F358300-B](#) [F407400](#) [F444110](#) [F487000](#) [F509500B-B](#) [827153-1](#) [8N1515-32-24P](#) [9-1326729-8](#) [925474-1](#) [928905-1](#) [964562-4](#)  
[968782-1](#) [GT17SA-8DS-HU](#) [98891-1012](#) [98947-1016](#) [12004475-L](#) [12010290](#) [12010309-B](#) [12015454](#) [12020219-B](#) [12020308](#) [12041318-B](#)  
[12052225-L](#) [12052466](#) [12059125](#) [12064869](#) [12004327-B](#) [12010503-B](#) [12015308](#) [12015384](#) [12015909](#) [1-21030-1](#) [12041254](#) [12041318](#)  
[12047946-B](#) [12047957](#) [12047957-L](#) [12059473](#) [12066261](#)