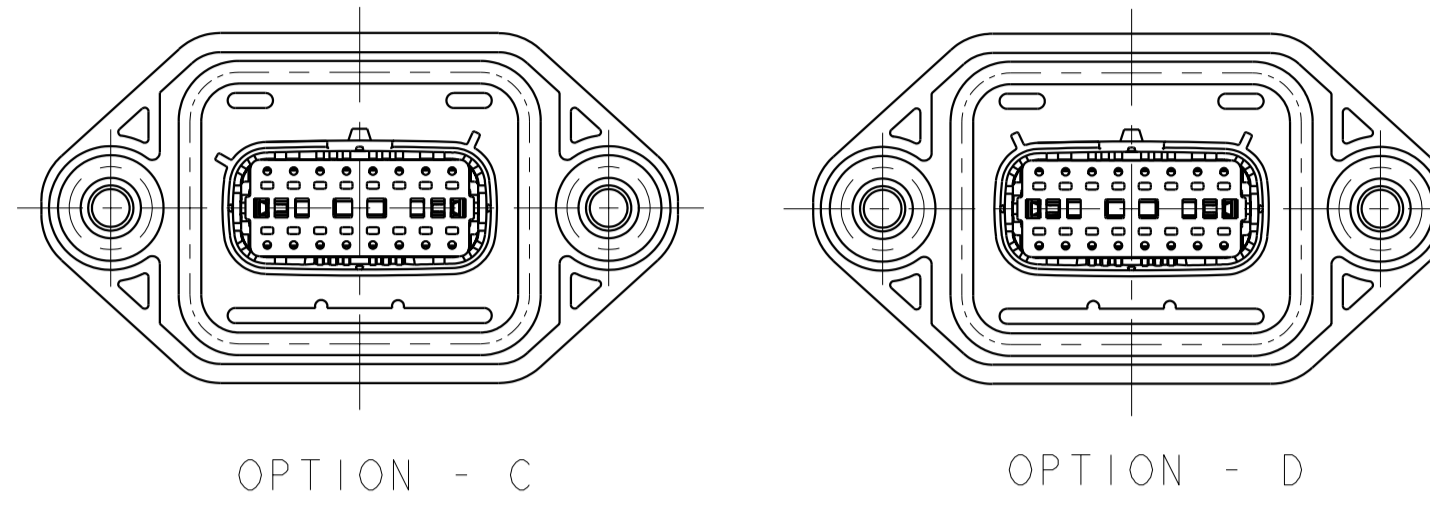
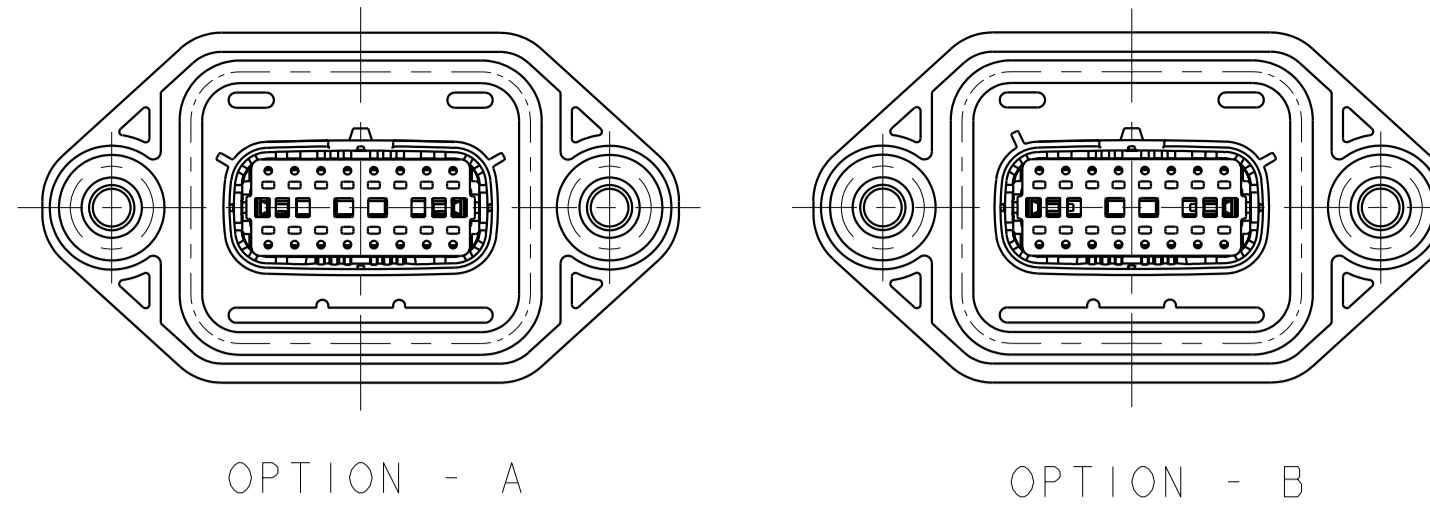
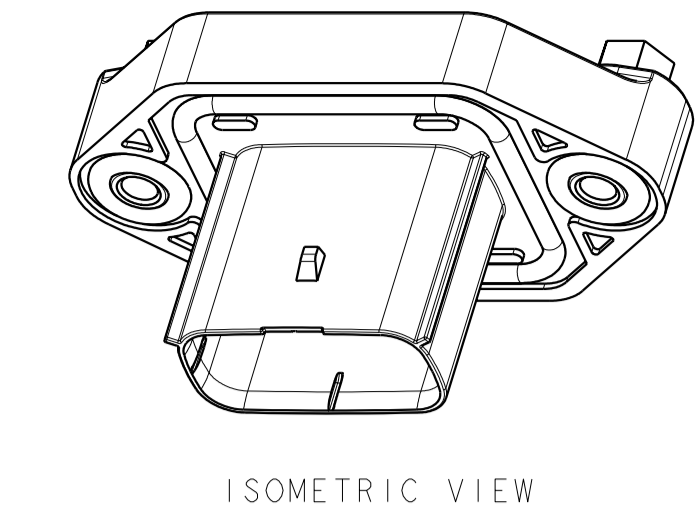


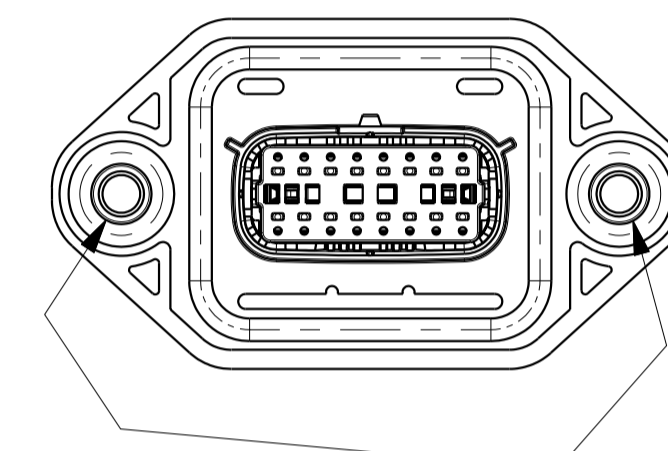
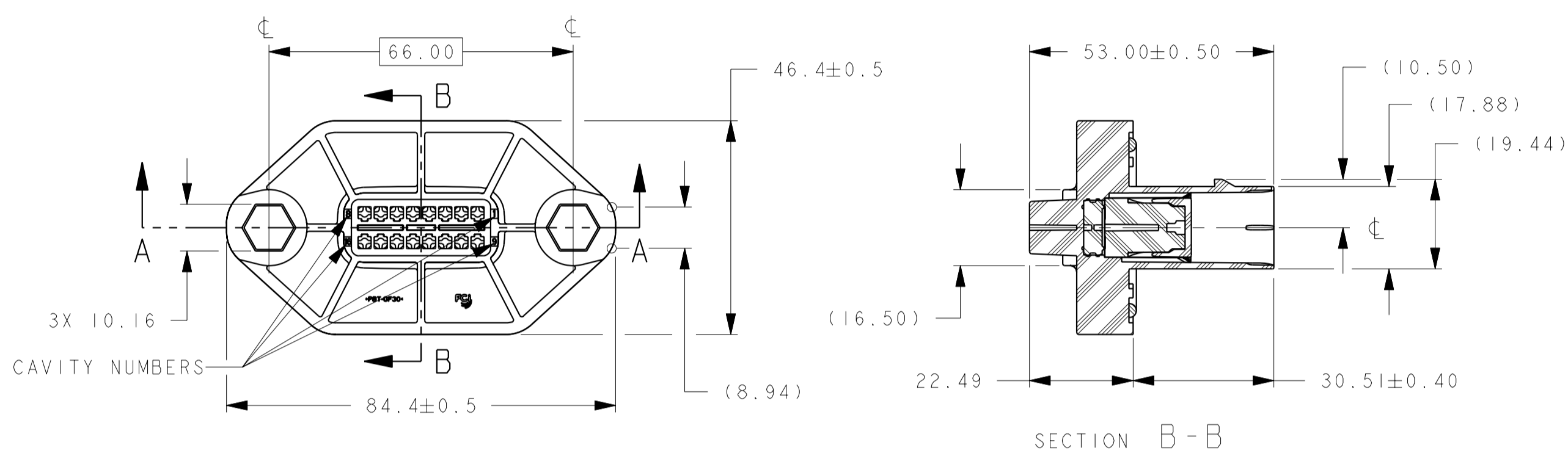
SEAL
(ITEM 6)
MATERIAL: LOCTITE FASTGASKET 5950



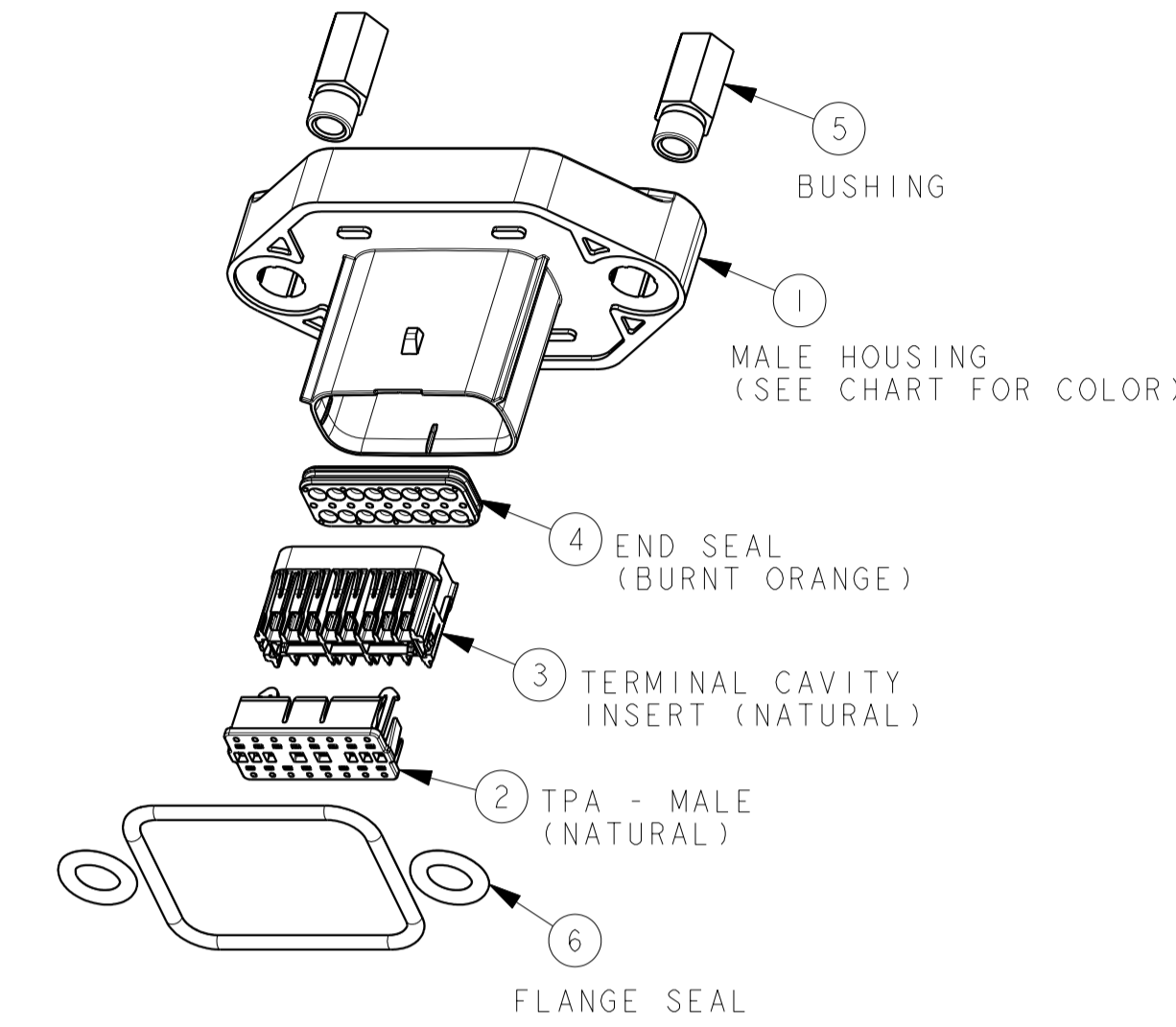
POLARIZATION OPTIONS



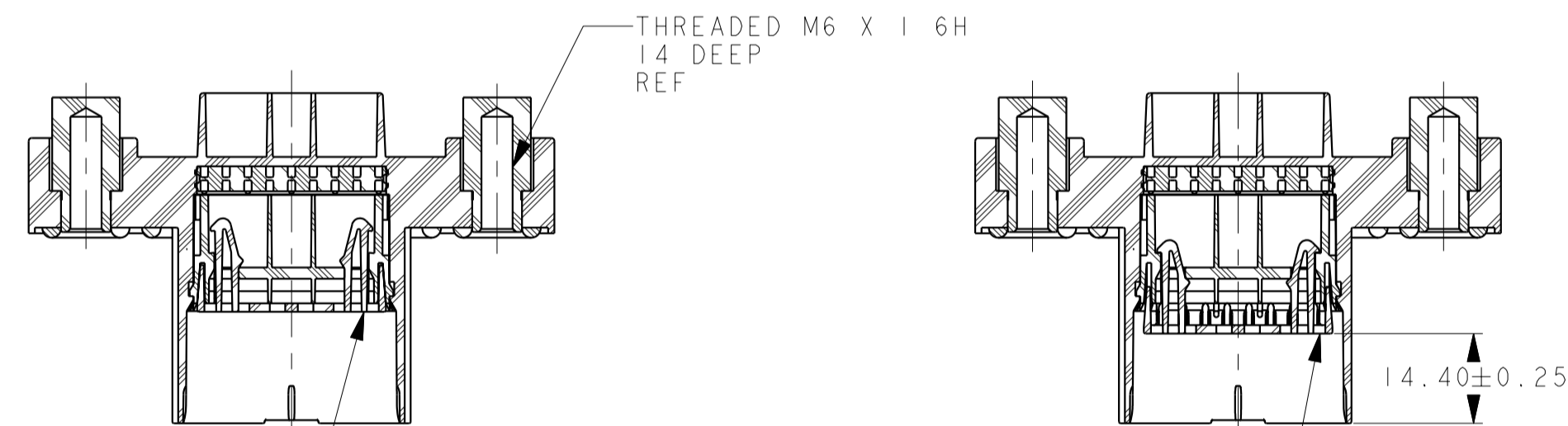
ISOMETRIC VIEW



CIPG (GASKET) MUST BE IN CONTACT WITH BUSHINGS ALL AROUND. GAPS AND/OR VOIDS ARE NOT PERMISSIBLE.

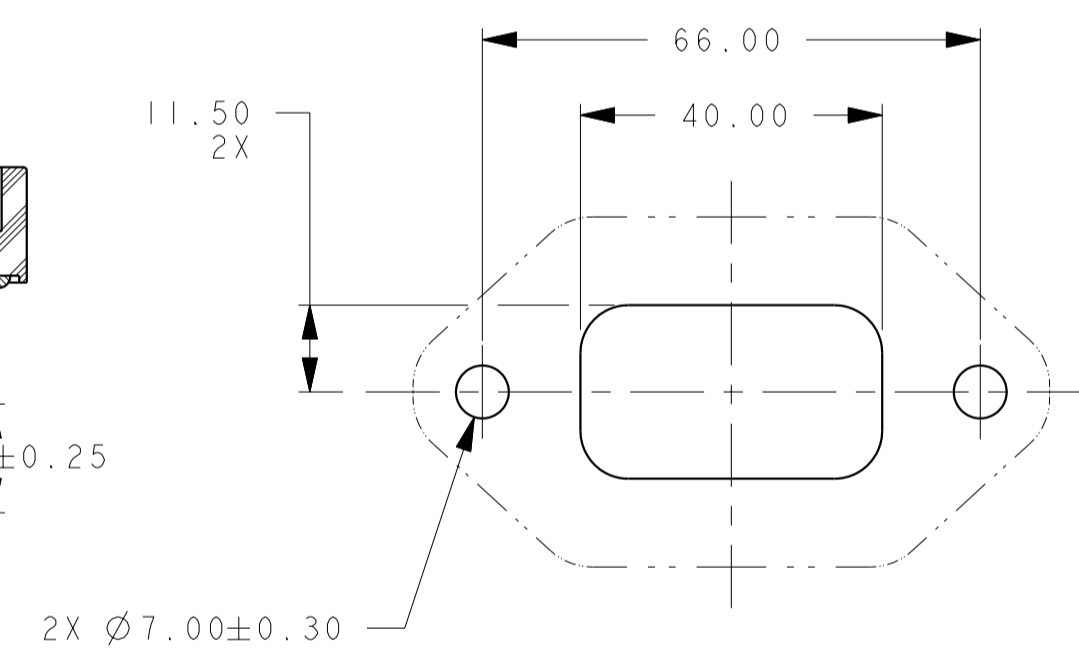


EXPLODED VIEW

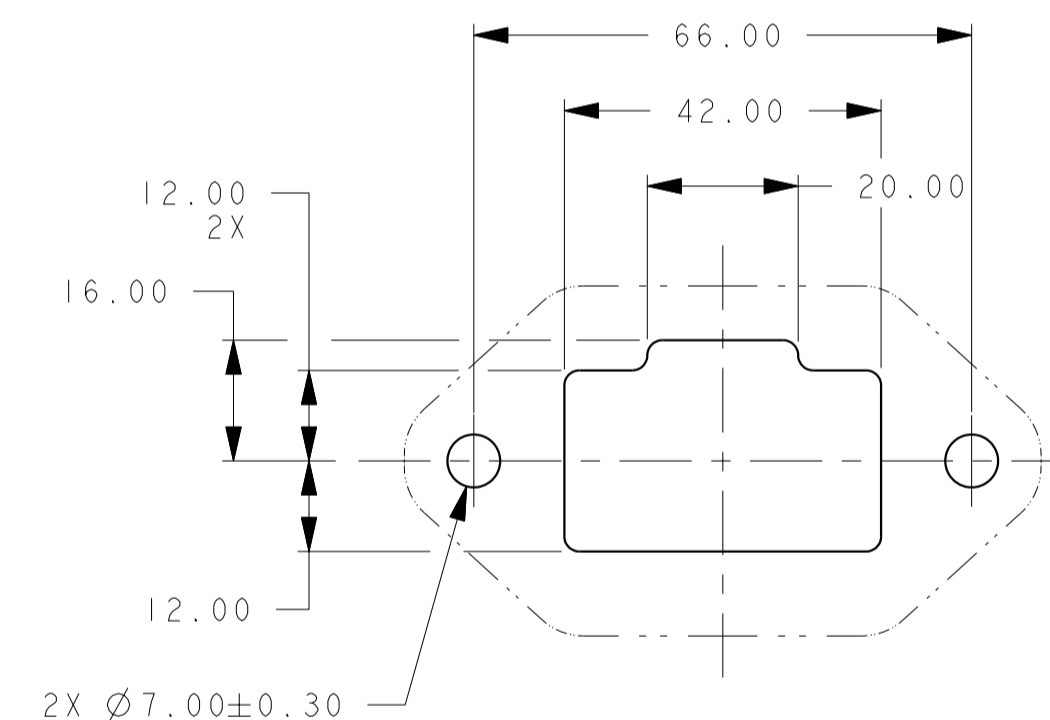


TPA SHOWN IN CLOSED POSITION
SECTION A-A

TPA SHOWN IN PRE-LOCK POSITION
SECTION A-A



PANEL CUTOUT
FOR PANELS LESS THAN 9.00 THICK



PANEL CUTOUT
FOR PANELS MORE THAN 9.00 THICK

NOTES

UNLESS OTHERWISE SPECIFIED:

GENERAL TOLERANCE:
X.X - ±0.50
X.XX - ±0.30
ANGLES - ±2°

ALL DIMENSIONS APPLY TO FULLY ASSEMBLED CONNECTOR

THREADED BUSHINGS MUST WITHSTAND A PUSH-OUT FORCE OF 10 N (2.24 lbf) MIN

THREADED BUSHINGS MUST RESIST A TORQUE OF 3.39-3.95 N-m (30-35 lb-in) IN BOTH DIRECTIONS

ATTACHMENT FASTENERS ARE NOT SHOWN AND ARE NOT INCLUDED

SIZE AND STYLE OF ATTACHMENT FASTENER CAN VARY ACCORDING TO THE APPLICATION AND ARE THE RESPONSIBILITY OF THE USER.

CONNECTOR MAY BE USED WITH THE FOLLOWING RANGE OF WIRE SIZES/TYPES:
- SIZE: 22 GAGE - 16 GAGE - 1.50mm MIN O.D. TO 2.41mm MAX O.D.
- TYPE: TXL (MIL123-A /MS-8288)
- CONTACT FCI ENGINEERING REGARDING USE OF OTHER WIRE TYPES AND/OR SIZES

RECOMMENDED COMPONENTS			
FCI PART NUMBER	ITEM DESCRIPTION	PLATING	GRIP SIZE
54001626	APEX 150 TERMINAL	TIN	16,18
54002001	APEX 150 TERMINAL	TIN	20,22
54001628	APEX 150 TERMINAL	GOLD	16,18
54002003	APEX 150 TERMINAL	GOLD	20,22
54241629	APEX 150 UNIVERSAL SEAL PLUG	-	-

ASSEMBLY NUMBER	ASSY NUMBER IN PROCESS (NO FLANGE SEAL)	KEY OPTION	COLOR	ALL PLUGS	HOUSING (ITEM 1)	TPA (ITEM 2)	TCI (ITEM 3)	SEAL (ITEM 4)	BUSHING (ITEM 5)	MOLDED PLUGS POSITIONS																TOTAL CIRCUITS	FCI MATING CONNECTOR REF
										1	2	3	4	5	6	7	8	9	10	11	12	13	14	15	16		
F607400	S191010	D	GREEN	REMOVED	F953600																				16	54241603	
F507400	S091010	C	BROWN	REMOVED	F853600																					16	54241602
F407400	S981010	B	GREY	REMOVED	F753600																					16	54241601
F307400	S881010	A	BLACK	REMOVED	F653600																					16	54241600
TBD	TBD	D	GREEN	PRESENT	F553600	54241684	54241685	54241689	C055200	X	X	X	X	X	X	X	X	X	X	X	X	X	X	X	X	0	54241603
TBD	TBD	C	BROWN	PRESENT	F453600					X	X	X	X	X	X	X	X	X	X	X	X	X	X	X	X	0	54241602
TBD	TBD	B	GREY	PRESENT	F353600					X	X	X	X	X	X	X	X	X	X	X	X	X	X	X	X	0	54241601
TBD	TBD	A	BLACK	PRESENT	F253600					X	X	X	X	X	X	X	X	X	X	X	X	X	X	X	X	0	54241600

11789	CHART	ADDED IN PROCESS ASSEMBLY NUMBERS AND CORRECTED ITEM NUMBERS	
11692	L11	ADDED SEAL MATERIAL CALLOUT	
11297	H9	ADDED DRAWING VIEW AND NOTE	
		RELEASED FOR PRODUCTION	
ECN NO.	ZONE	CHANGE DESCRIPTION	
PROJECT SPEC.	PACKAGING SPEC.	APPLICATION SPEC.	THIS DRAWING AND ALL OTHER INFORMATION CONTAINED THEREIN IS PROPRIETARY AND THE PROPERTY OF FCI. This drawing may not be copied, reproduced or disclosed to any third party without the expressed written permission of FCI. FCI April 1999
TOLERANCES	±0.1	±2*	SURFACE FINISH
COUNTERPART NO.	SEE K36002	COLOR:	SEE CHART
DO NOT MEASURE DRAWING	TOOL NO.	ECO Loc. Code	AN
DATE	NAME	TITLE	DRAWING NUMBER
CREATED BY	20100918	S.PALANICHAMY	PROJECT
MODIFIED BY	20100918	Frank HOLUB	STATE
CHECKED BY	20100918	Basha BIAN	PART NUMBER
APPROVED BY	20100918	JOE CAMPBELL	REV.
FILE NAME	PCC0641356	DOCUMENT UNDER PDS CONTROL. NO MODIFICATION ALLOWED OUTSIDE	See Table

X-ON Electronics

Largest Supplier of Electrical and Electronic Components

Click to view similar products for [Automotive Connectors](#) category:

Click to view products by [APTIV](#) manufacturer:

Other Similar products are found below :

[003-018-000](#) [60403001](#) [60993906-B](#) [629515004020001](#) [M902-2131](#) [M902-2161](#) [72.330.1035.1](#) [73.353.4028.0](#) [F119300-B](#) [F166900](#)
[F258300-B](#) [F358300-B](#) [F407400](#) [F444110](#) [F487000](#) [F509500B-B](#) [827153-1](#) [8N1515-32-24P](#) [9-1326729-8](#) [925474-1](#) [928905-1](#) [964562-4](#)
[968782-1](#) [GT17SA-8DS-HU](#) [98891-1012](#) [98947-1016](#) [12004475-L](#) [12010290](#) [12010309-B](#) [12015454](#) [12020219-B](#) [12020308](#) [12041318-B](#)
[12052225-L](#) [12052466](#) [12059125](#) [12064869](#) [12004327-B](#) [12010503-B](#) [12015308](#) [12015384](#) [12015909](#) [1-21030-1](#) [12041254](#) [12041318](#)
[12047946-B](#) [12047957](#) [12047957-L](#) [12059473](#) [12066261](#)