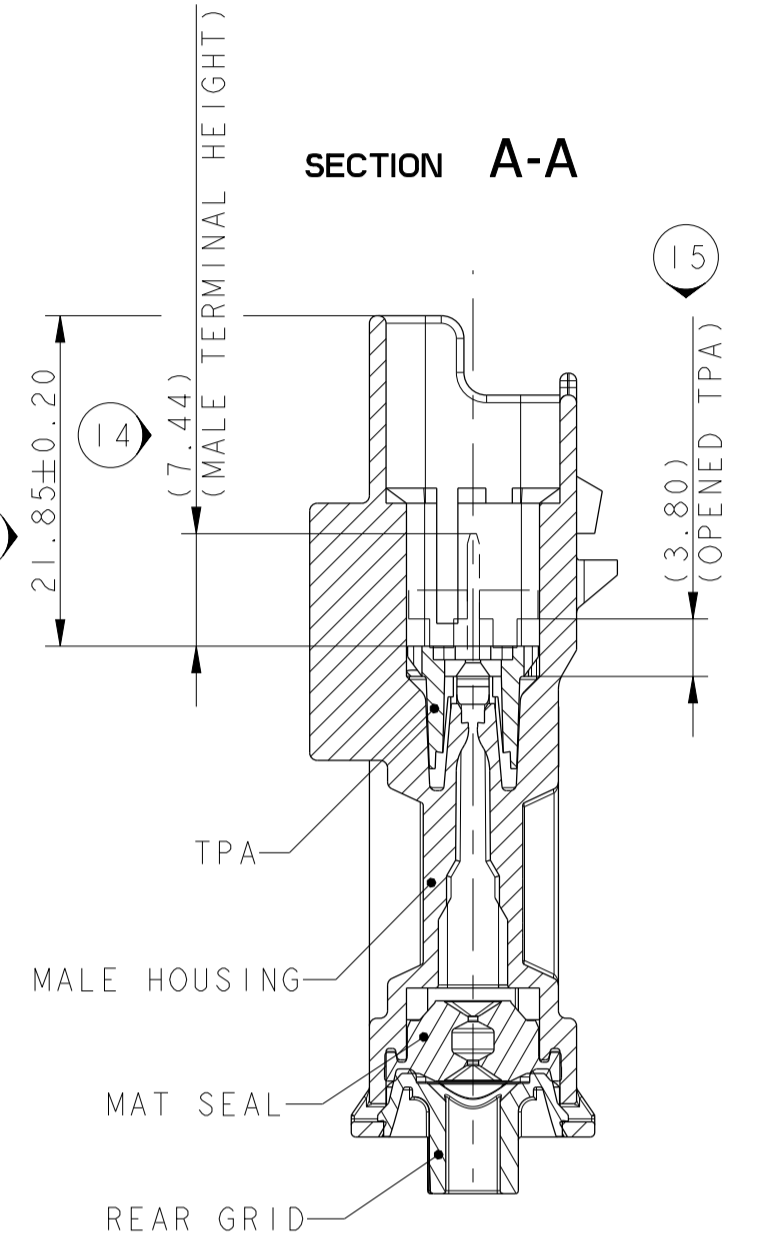
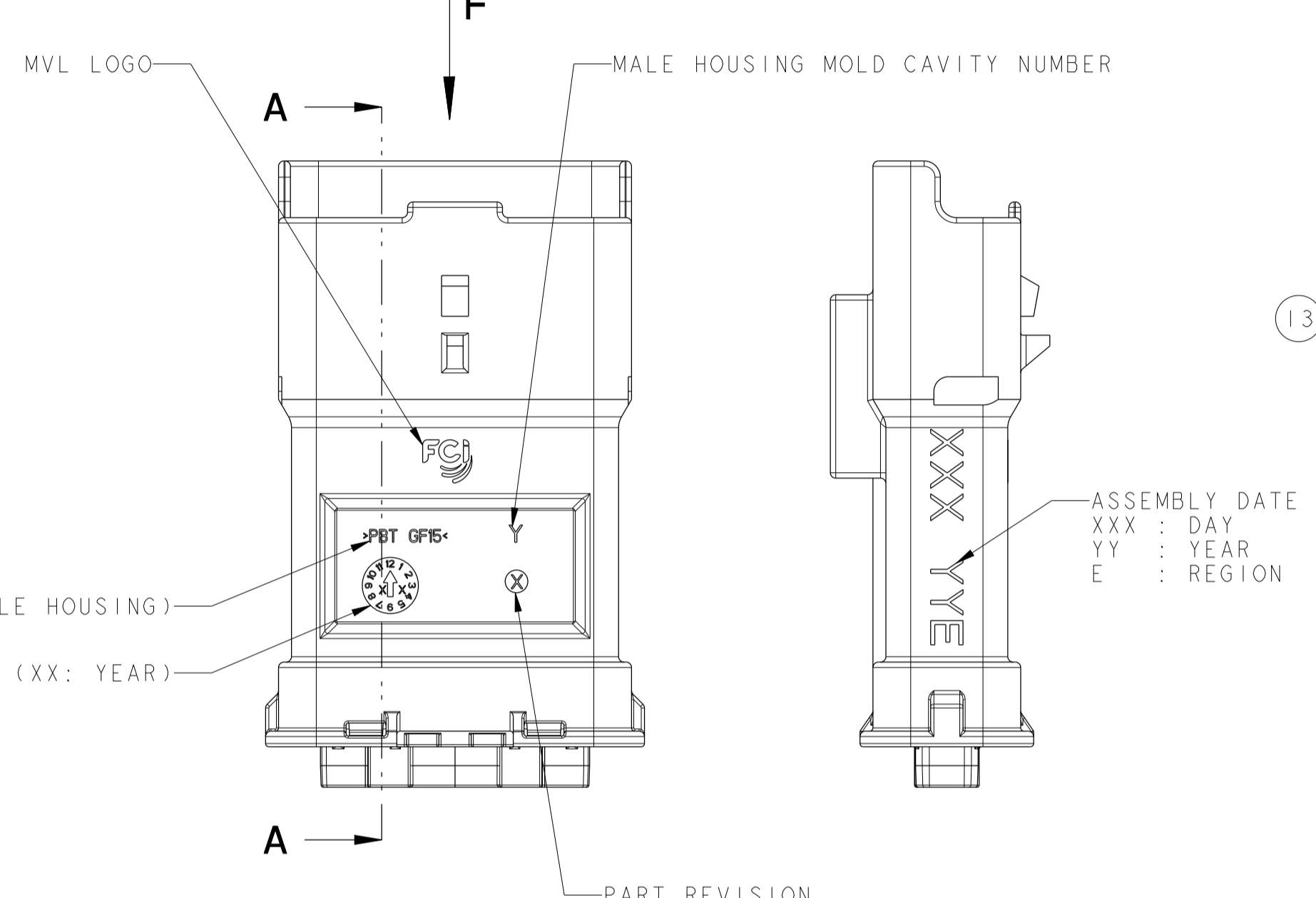
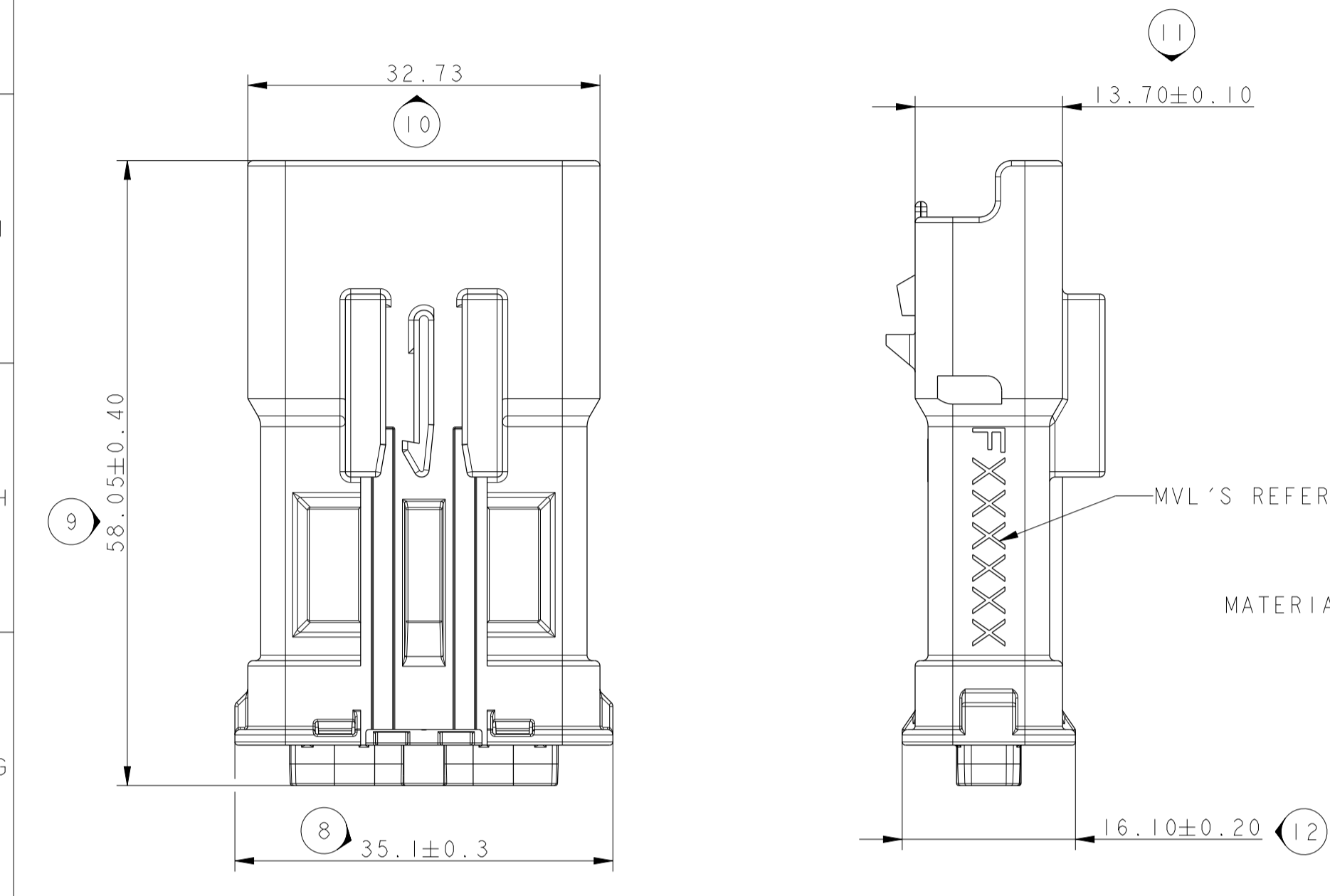
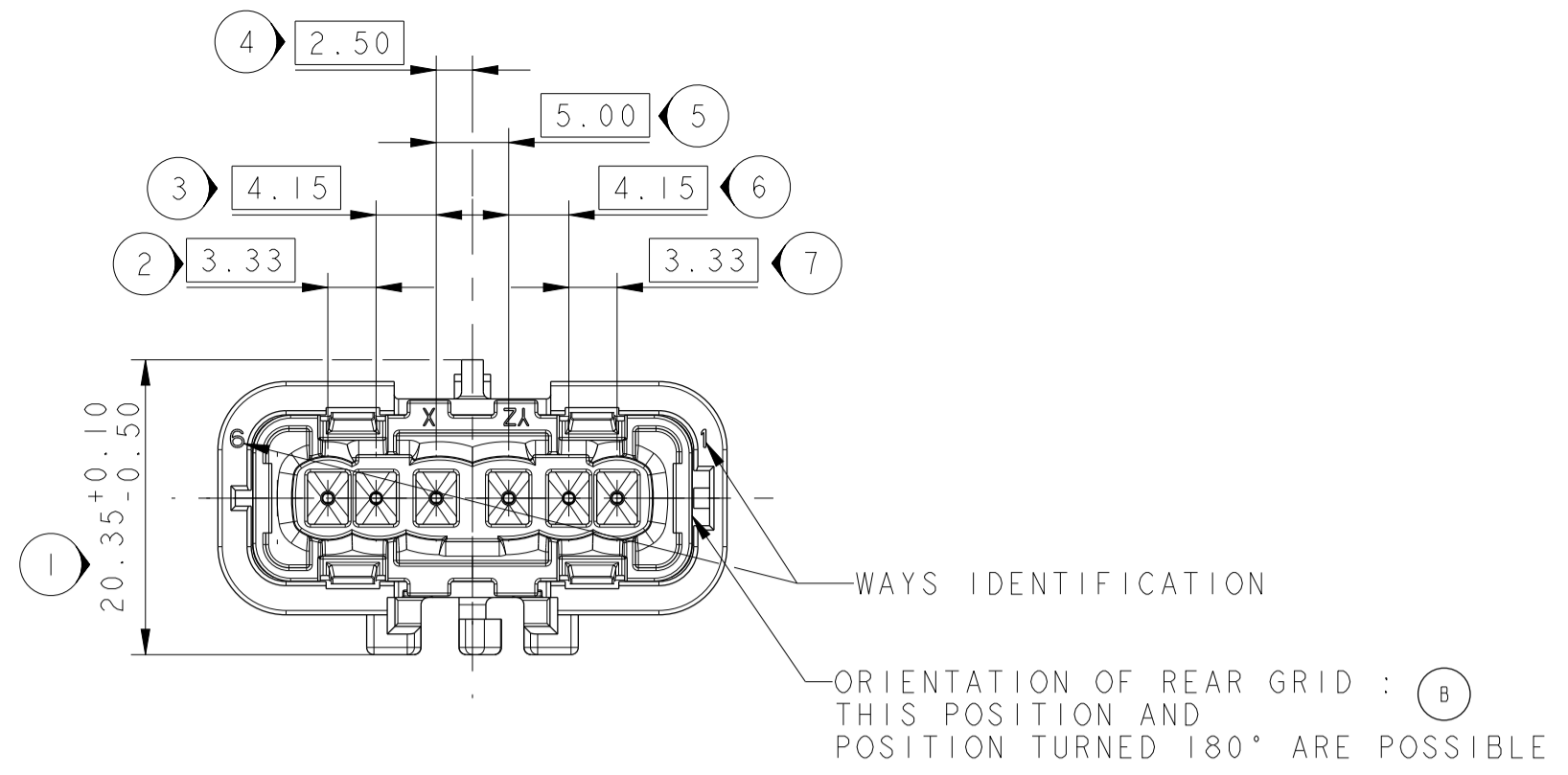
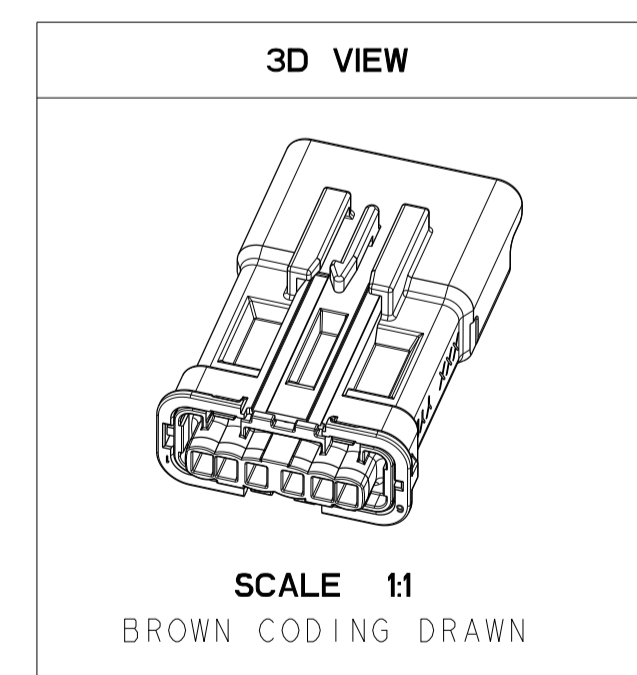
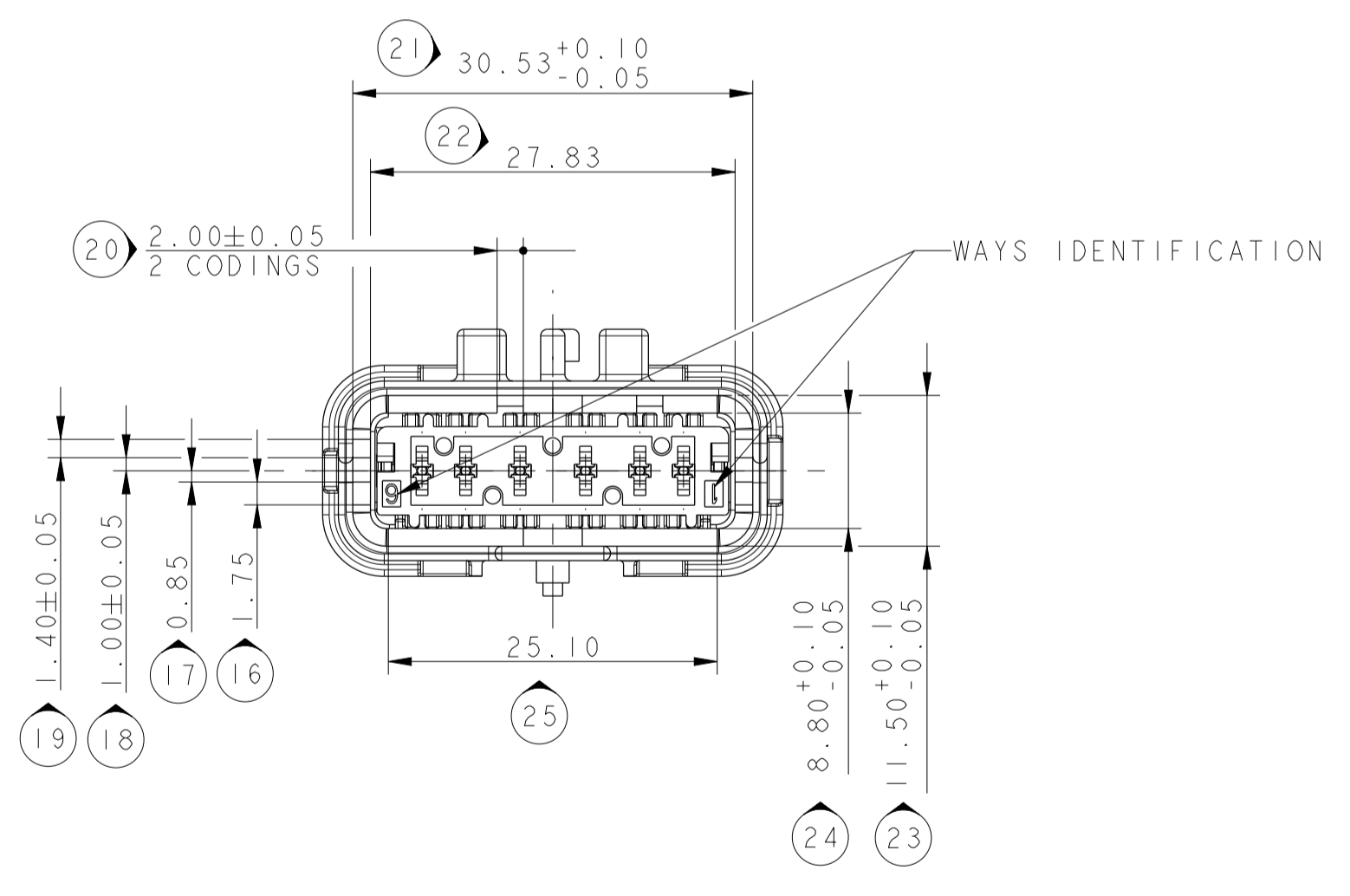


NOTE	SPECIFICATIONS
1	USER'S MANUAL MVL'S REFERENCE: PUI64 - ASSOCIATED PRODUCTS (CONTACT, PLUG, ...) ARE DEFINED IN THE USER'S MANUAL
2	WIRE INSULATION DIAMETER :MINI=1.25 :MAXI=2.80
3	DELIVERED CONNECTOR WEIGHT : 15g
4	FEMALE/MALE CONNECTOR MATING FORCE F 75 N
5	COMPATIBLE WITH CONNECTOR DRAWING PCC0816827



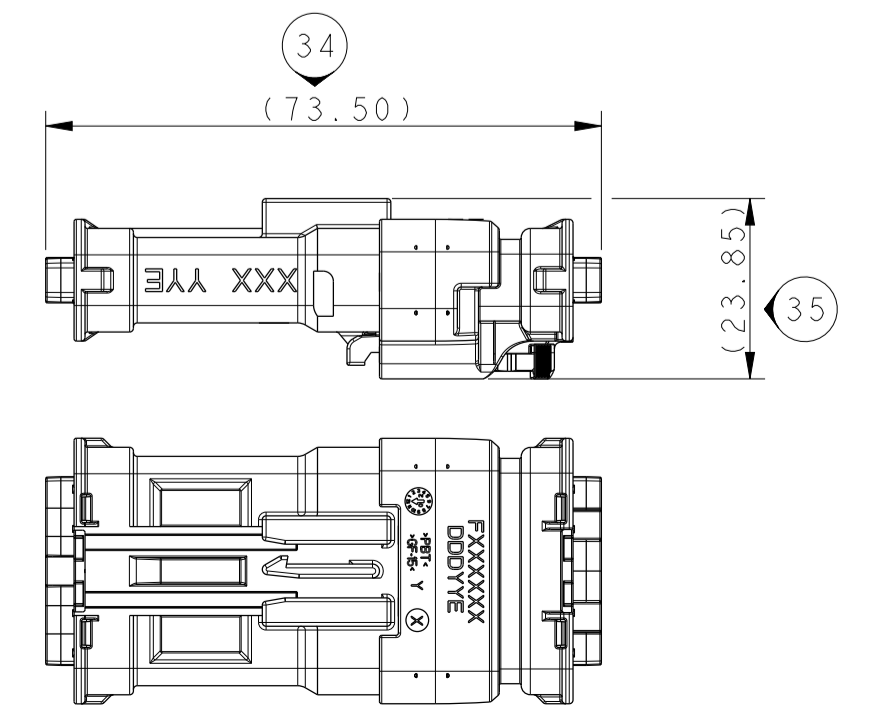
DESCRIPTION	MVL'S SERIAL REF.	DELPHI'S SERIAL REF. (B)	MATERIAL	COLOUR
MALE HOUSING	S873700	-	PBT GF15	YELLOW
	S973700	-	PBT GF15	GREEN
	S083700	-	PBT GF15	BROWN
	S183700	-	PBT GF15	RED
	S283700	-	PBT GF15	PURPLE
TPA	S514700	-	PBT GF15	YELLOW
MAT SEAL	S693700	33501745	SILICONE	GREY
REAR GRID	S583700	33512023	PBT GF15	BLACK



VIEW F	TOLERANCES ±0.10	SCALE 1:1	COLOUR CODING	PART NUMBER	PART REVISION	MVL
RED	PURPLE	-	COLOUR CODING	F953700	F063700	-
A	A	-	PART NUMBER	33502277	33511739	-
01	01	-	PART REVISION			DELPHI

VIEW F	TOLERANCES ±0.10	SCALE 1:1	COLOUR CODING	PART NUMBER	PART REVISION	MVL
YELLOW	GREEN	BROWN	COLOUR CODING	F153700	F253700	F353700
A	A	A	PART NUMBER	13967810	33511738	13830087
01	01	01	PART REVISION			DELPHI

OVERALL DIMENSION MATTED ON FEMALE CONNECTOR  
SEE NOTE 5



ECR-NO.	POSITION	CHANGE DESCRIPTION	MODIFICATION
ECR 13-363	EF 14-15	DELPHI REFERENCE ADDED IN THE TABLE	
	L 7-9	NOTE ADDED FOR REAR GRID	
		KEYS OF POLARIZATION OF REAR GRID ARE SUPPRESSED	

DATE	NAME	TITLE	DESIGNATION	DRAWING NUMBER	REV.	APPROVAL LEVEL
20180929	V. CHOCHALINDAM	6-WAY MALE SEALED CONNECTOR	PROJECT	PCC0816887	B	SHEET 1/1
20180909	Lynne DIAZ	PROJECT				
20180916	S. LACOTE	PROJECT				
20180916	S. LACOTE	PROJECT				
20180916	S. LACOTE	PROJECT				

STATE	STATUS	REF. ARTICLE
EU-080210	EU-080210	EU-080210
EU-080210	EU-080210	EU-080210
EU-080210	EU-080210	EU-080210

## X-ON Electronics

Largest Supplier of Electrical and Electronic Components

*Click to view similar products for [Automotive Connectors](#) category:*

*Click to view products by [APTIV](#) manufacturer:*

Other Similar products are found below :

[003-018-000](#) [60403001](#) [60993906-B](#) [629515004020001](#) [M902-2131](#) [M902-2161](#) [72.330.1035.1](#) [73.353.4028.0](#) [F119300-B](#) [F166900](#)  
[F258300-B](#) [F358300-B](#) [F407400](#) [F444110](#) [F487000](#) [F509500B-B](#) [827153-1](#) [8N1515-32-24P](#) [9-1326729-8](#) [925474-1](#) [928905-1](#) [964562-4](#)  
[968782-1](#) [GT17SA-8DS-HU](#) [98891-1012](#) [98947-1016](#) [12004475-L](#) [12010290](#) [12010309-B](#) [12015454](#) [12020219-B](#) [12020308](#) [12041318-B](#)  
[12052225-L](#) [12052466](#) [12059125](#) [12064869](#) [12004327-B](#) [12010503-B](#) [12015308](#) [12015384](#) [12015909](#) [1-21030-1](#) [12041254](#) [12041318](#)  
[12047946-B](#) [12047957](#) [12047957-L](#) [12059473](#) [12066261](#)