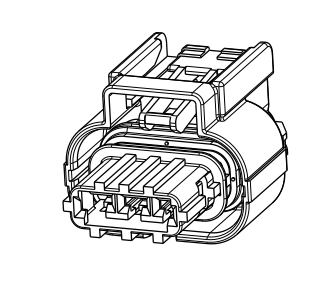


ASSEMBLY PART NUMBER CHART

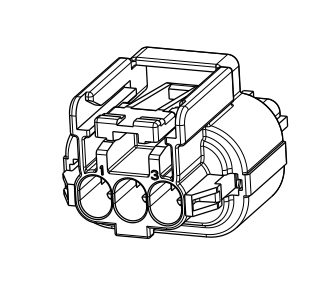
PART NUMBERS					KEY OPTION	COMPONENTS				
DELPHI	REV	MVL	REV	INSULATOR (HOUSING)		TPA	RING SEAL	CPA		
13791661	01	F258300	A	A	SS46300	PA66 GF35	COLOR	PA66 GF35	SILICONE	PA66 GF35
33513145	01	F593500	A	A		DK GREY	F055000	F546000 GREEN	NO	F752210 RED
13856436	01	F358300	A	B		AQUA	S643500			
33513146	01	F832210	A	C		NATURAL	F138400			
33513147	01	F932210	A	D		DK GREY	S632210			
13962796	02	F731210	B	A		BLACK	S732210			
33513148	02	F007400	B	B		BLACK	F055000			
33513149	02	F242210	B	C		DK GREY	F366000			
33513150	02	F342210	B	D		DK BLUE	S632210			
						BLACK	S732210			

APPLICABLE COMPONENTS CHART

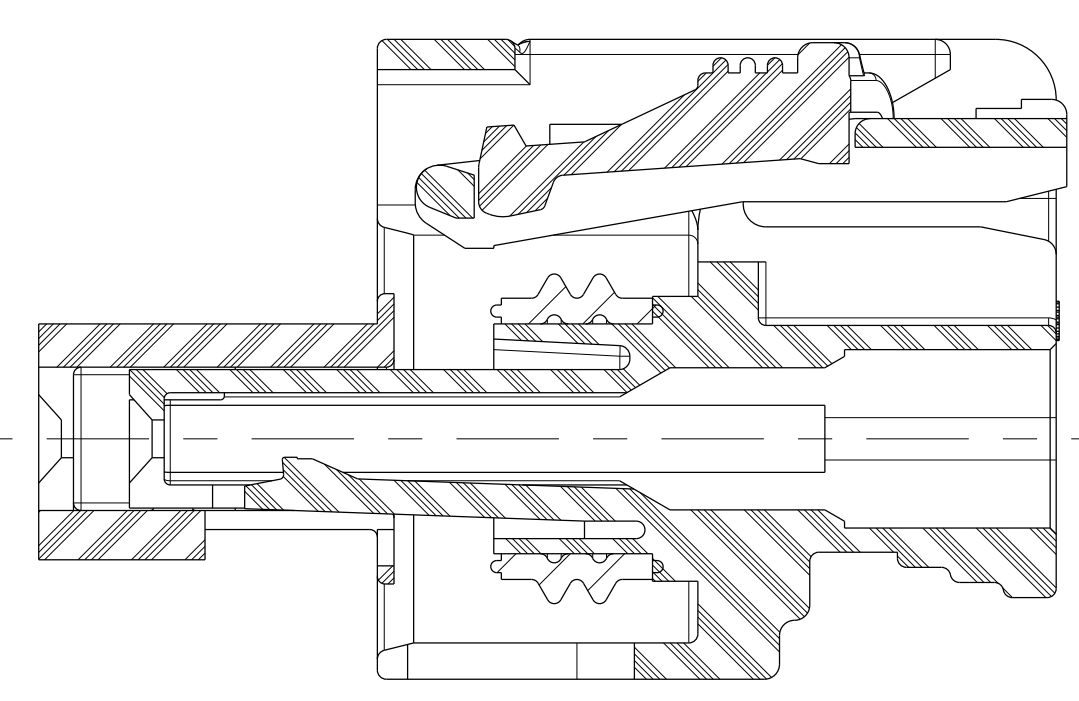
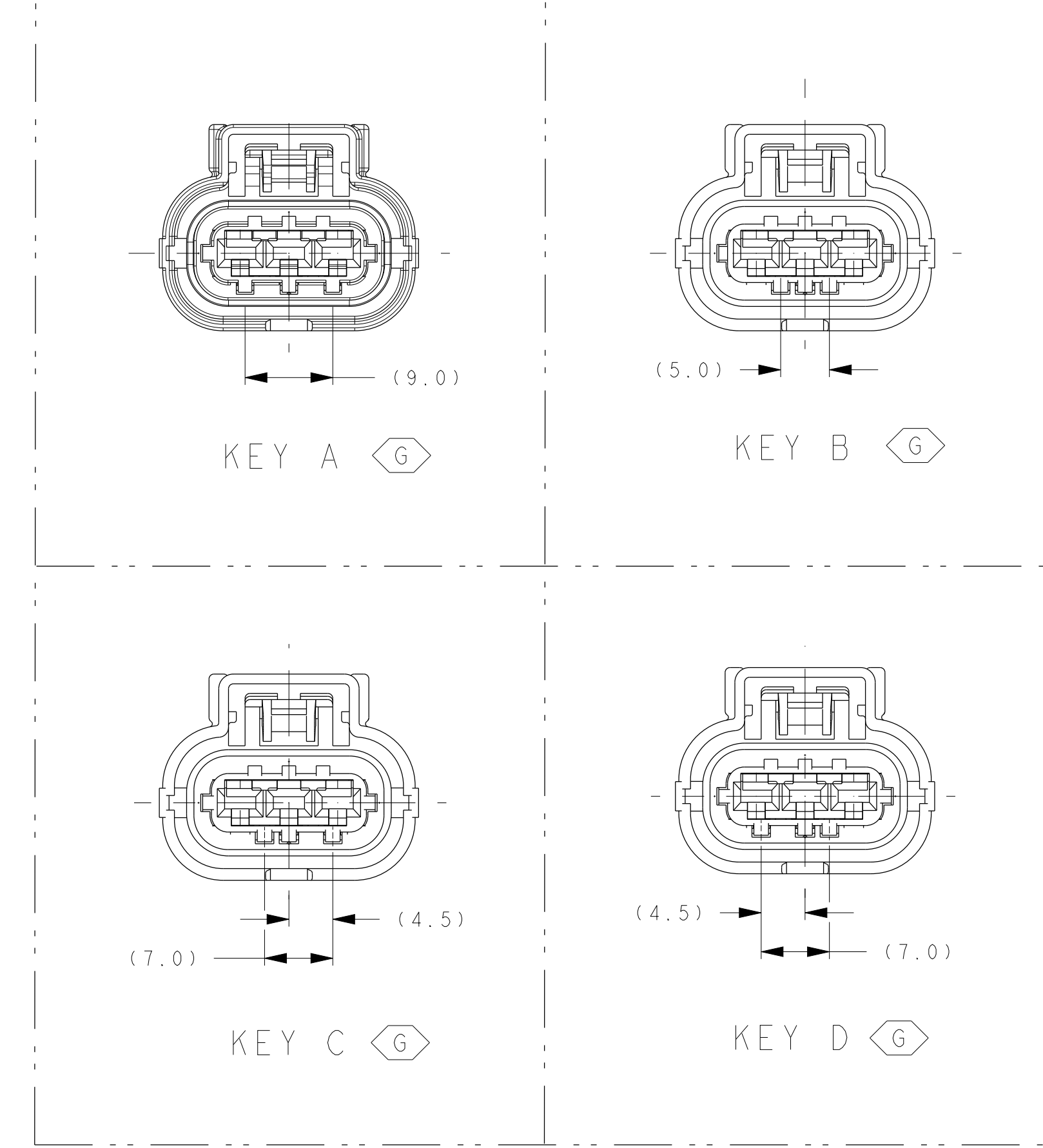
ITEM NO.	DESCRIPTION	PLATING OR COLOR	SUPPLIER		DELPHI NUMBER	GRIP CODE	WIRE SIZE	WIRE INSULATION DIAMETER RANGE	MATERIAL/SPEC. NO.
			NAME	NUMBER					
5	2.8mm SEALED SYSTEM TERMINAL (F)	TIN	MVL	54001807	10810375	18	20-18 AWG 0.50-1.00mm <sup>2</sup>	1.40mm-2.13mm	COPPER ALLOY / NA
	2.8mm SEALED SYSTEM TERMINAL (F)	TIN	MVL	54001404	13627267	14	16-14 AWG 1.50-2.50mm <sup>2</sup>	2.18mm-3.00mm	COPPER ALLOY / NA
	2.8mm SEALED SYSTEM TERMINAL (F)	GOLD	MVL	54001811	13948955	18AU	20-18 AWG 0.50-1.00mm <sup>2</sup>	1.40mm-2.13mm	COPPER ALLOY / NA
	2.8mm SEALED SYSTEM TERMINAL (F)	GOLD	MVL	54001410	15470590	14AU	16-14 AWG 1.50-2.50mm <sup>2</sup>	2.18mm-3.00mm	COPPER ALLOY / NA
6	2.80mm SYSTEM CABLE SEAL ROUND	GREEN	MVL (QSR)	F676000	13791654		20-18 AWG 0.50-1.00mm <sup>2</sup>	1.40mm-2.13mm	SILICONE
	2.80mm SYSTEM CABLE SEAL ROUND	BLUE	MVL (QSR)	F576000	13948585		16-14 AWG 1.50-2.00mm <sup>2</sup>	2.18mm-2.80mm	SILICONE
	2.80mm SYSTEM CABLE SEAL ROUND	YELLOW	MVL (QSR)	60994034	10779161		2.5mm <sup>2</sup>	2.70mm-3.00mm	SILICONE
7	2.80 SYSTEM CAVITY PLUG ROUND	WHITE	DELPHI	-	15305170		OPTIONAL AS REQUIRED		SILICONE



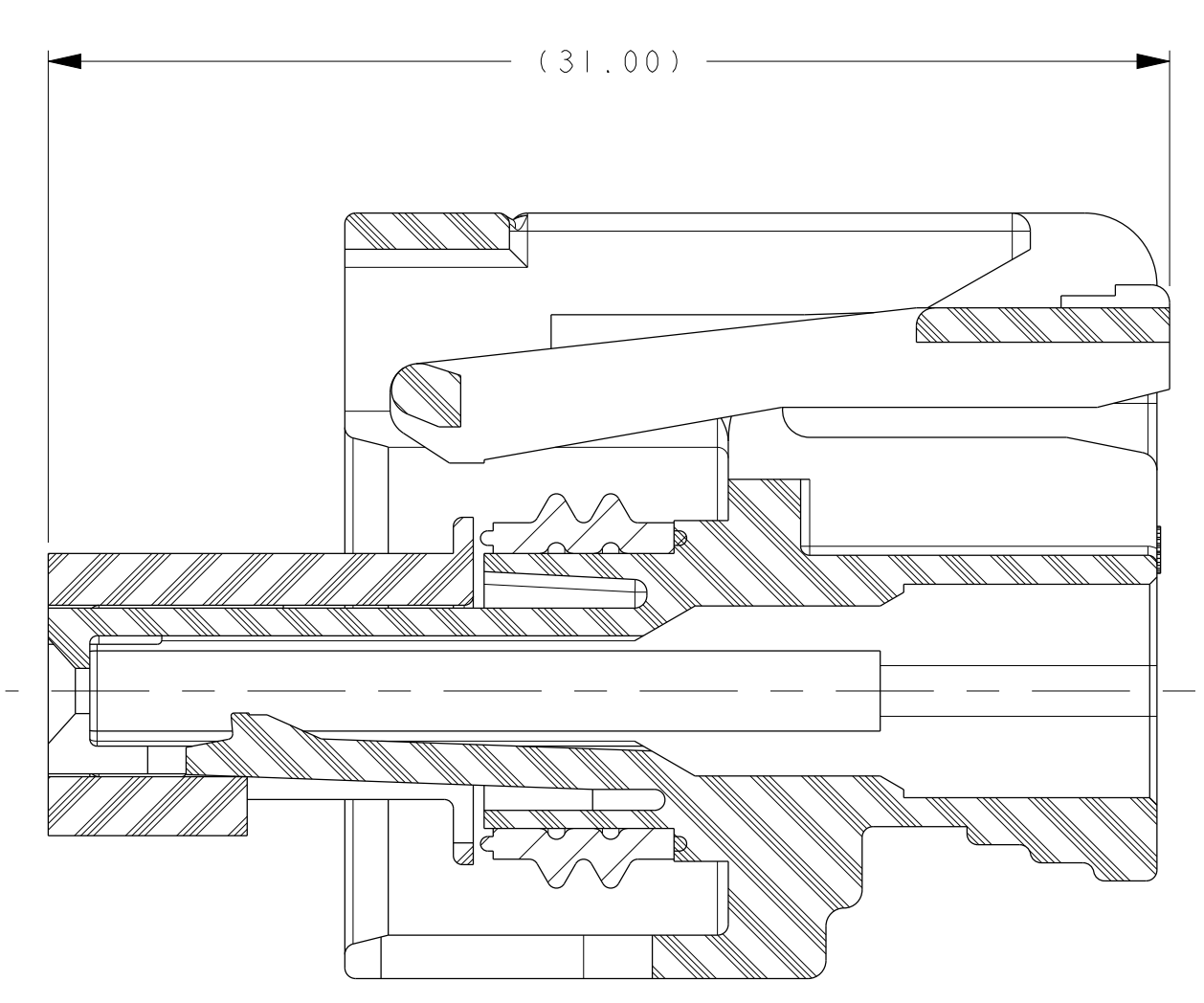
SCALE 1:1



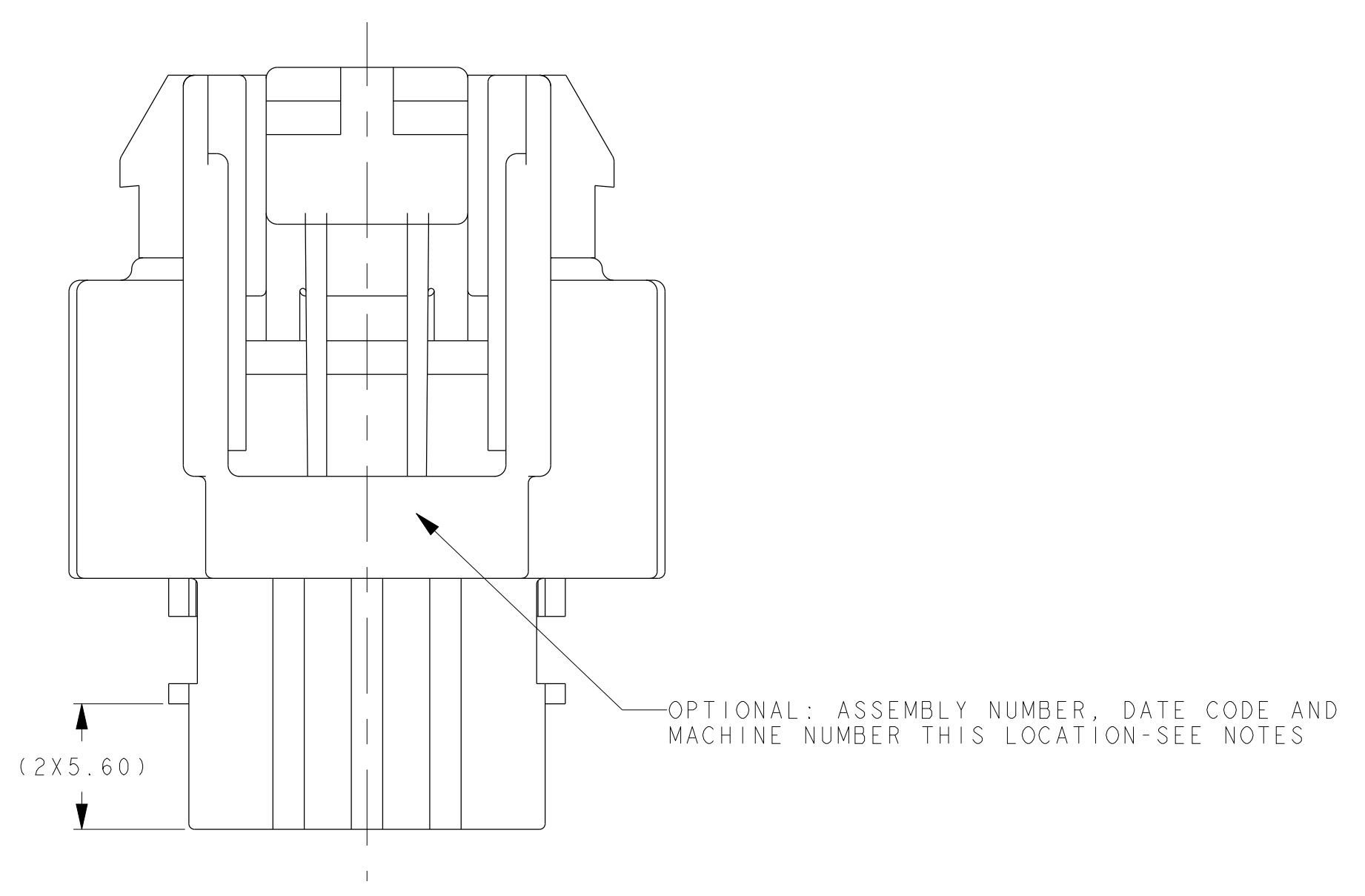
SCALE 1:1



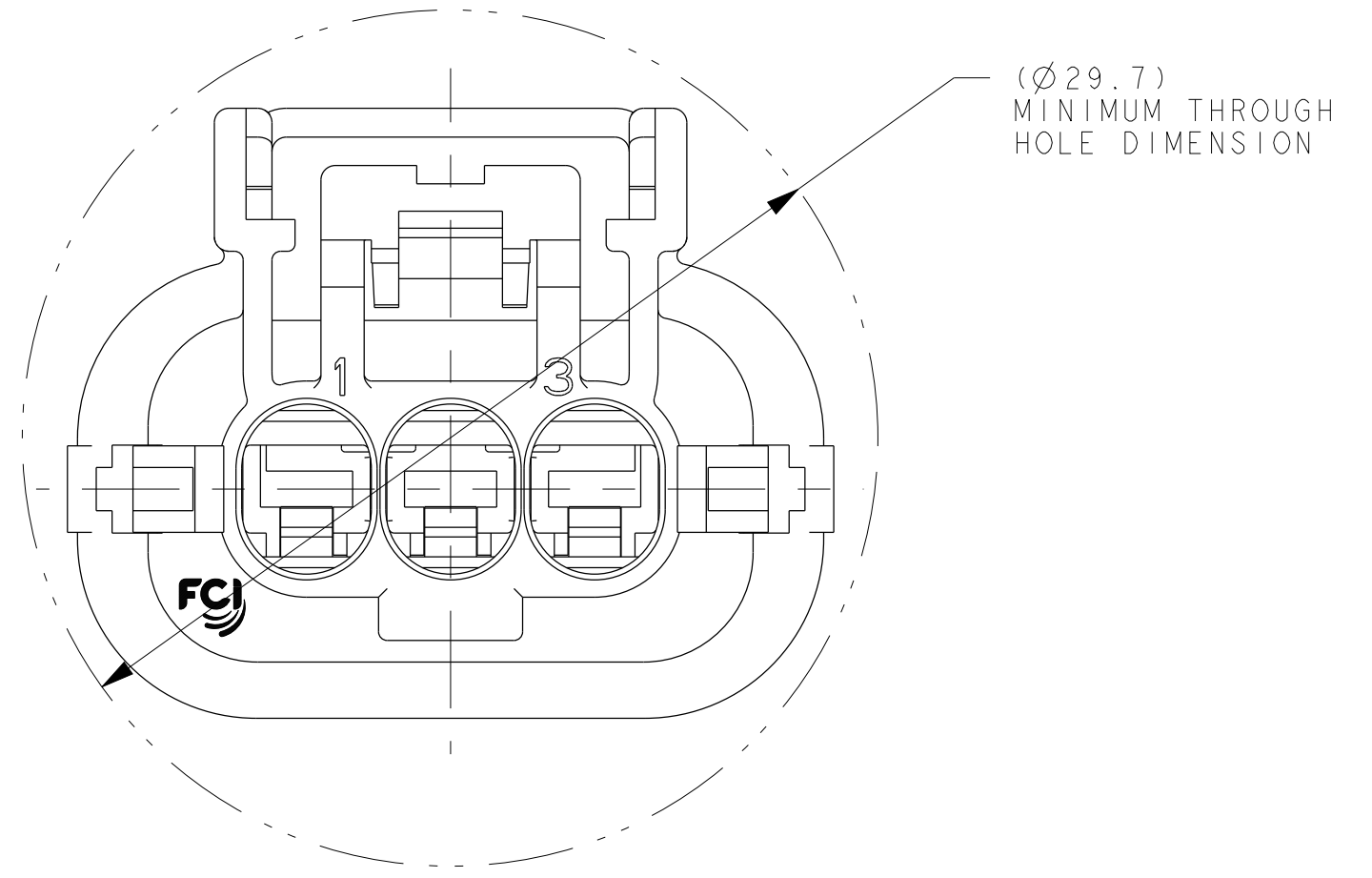
SECTION A-A SHOWN WITH OPTIONAL CPA



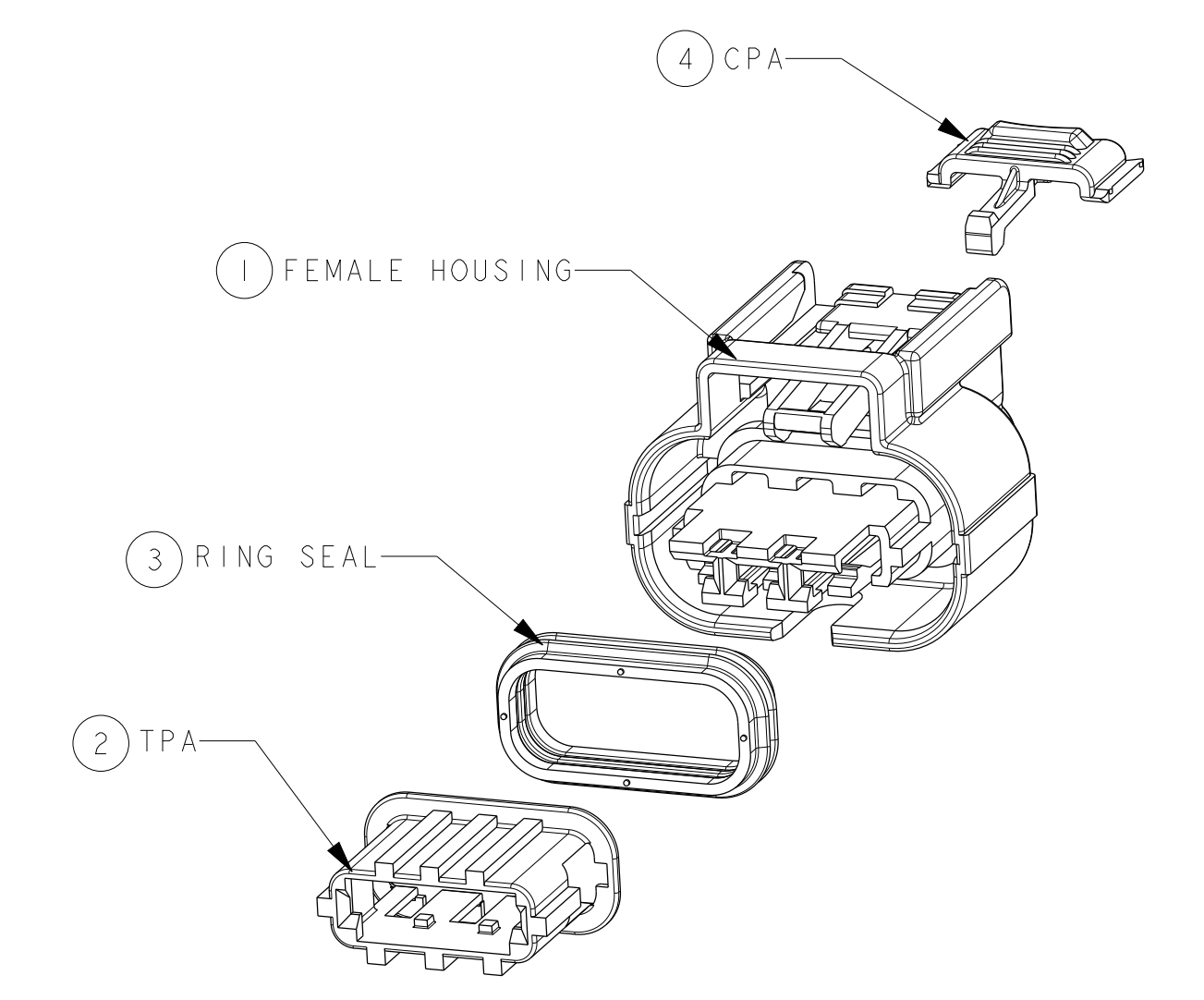
SECTION A-A TPA SHOWN IN FINAL LOCK POSITION



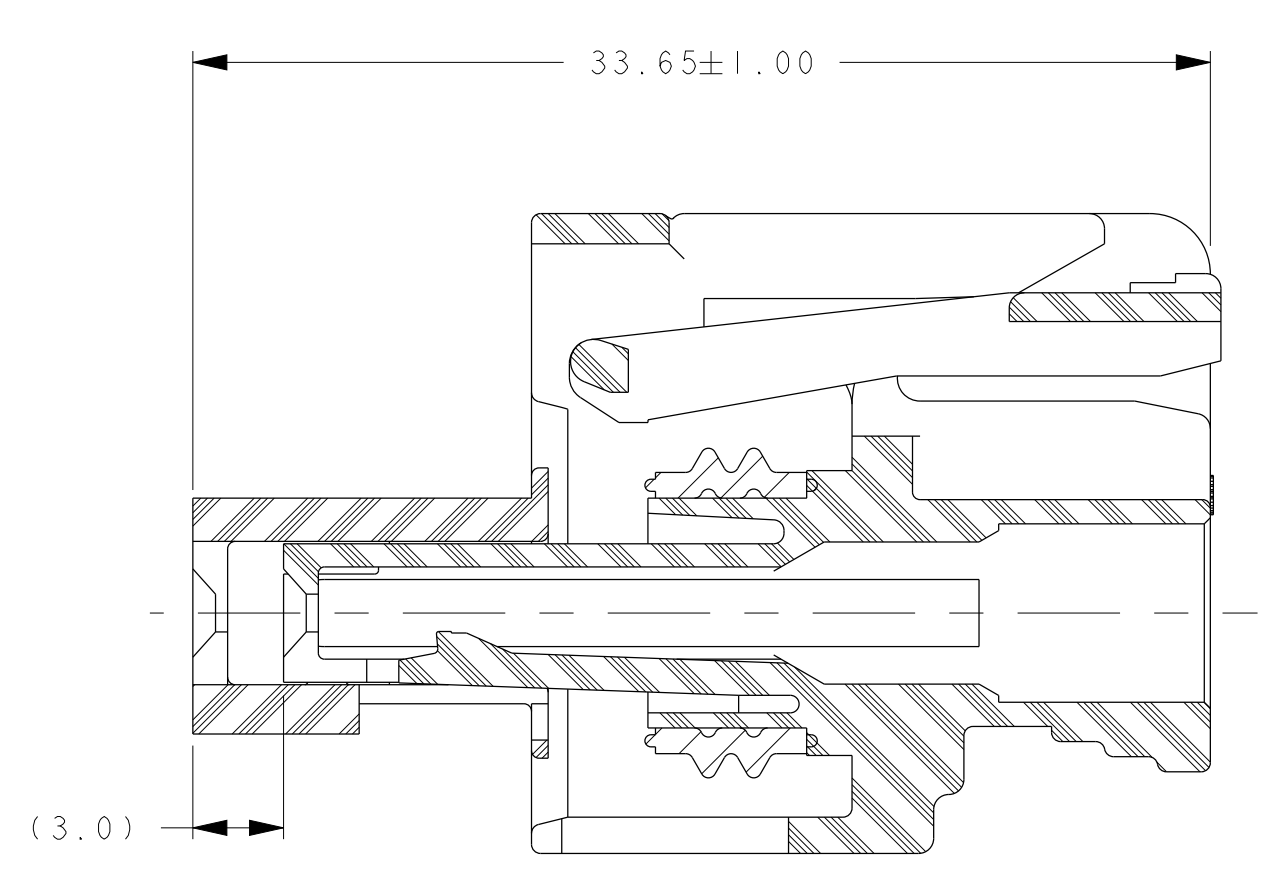
OPTIONAL CONSTRUCTION TPA WITH SHORT RIB



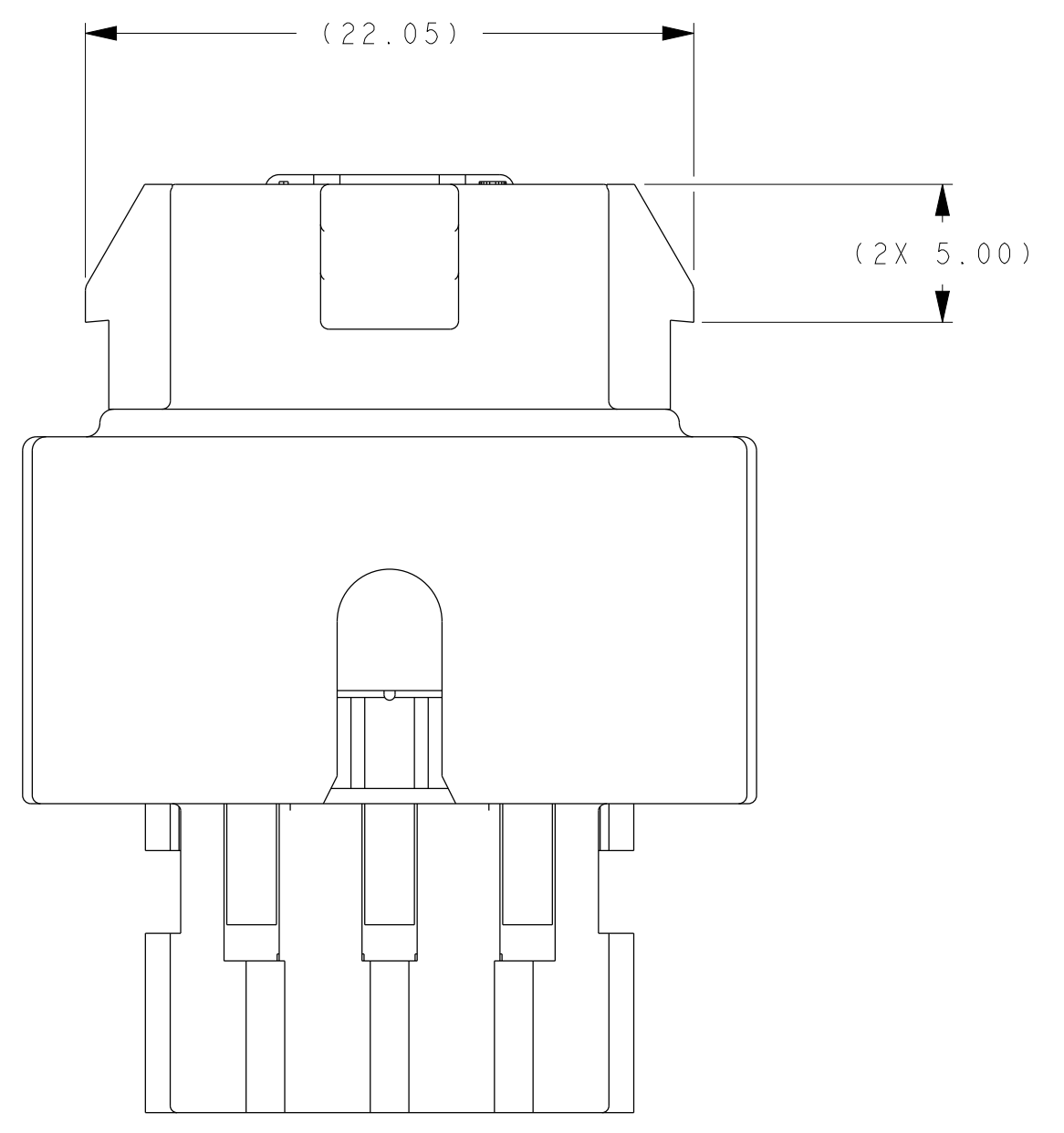
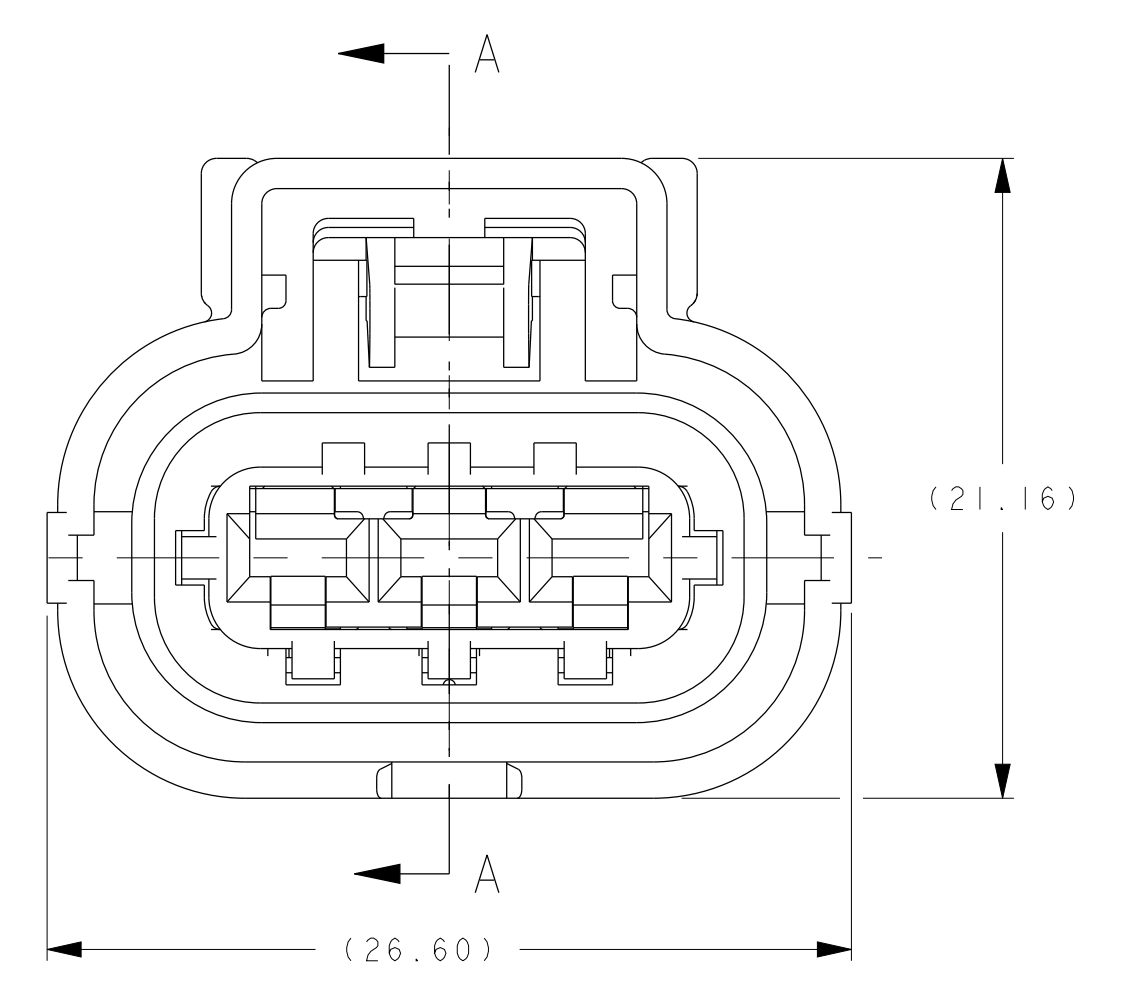
(Ø29.7) MINIMUM THROUGH HOLE DIMENSION



SCALE 2:1



SECTION A-A TPA SHOWN IN PRE-LOCK POSITION



NOTES:

- VALIDATED TO SAE/USCAR-2 REV 5
- VALIDATED TO THE FOLLOWING TEMP, VIBRATION, AND SEALING CLASSES:
  - SAE/USCAR-2 V3 T3 (125°C) WITH GOLD TERMINALS
  - SAE/USCAR-2 SEALING S3 T3 (125°C)(ISO16750 9K EQUIVALENT)
- CONNECTOR MAY BE USED WITH THE FOLLOWING TERMINALS:
  - DELPHI APEX 2.8 TERMINALS LISTED IN THE APPLICABLE COMPONENTS CHART ON THIS DRAWING WITH WIRE SIZES DEFINED IN NOTE 4.
  - SEE DELPHI DRAWING C15004-CUST FOR SPECIFIC TERMINAL DETAILS AND CRIMPING REQUIREMENTS
  - PLATING OF TERMINALS AND MATING DEVICE BLADES MUST BE COMPATIBLE SEE NOTE 5
  - EXCESSIVELY THICK TIN PLATING ON DEVICE BLADES IS NOT RECOMMENDED
- CONNECTOR SYSTEM VALIDATED TO USCAR-2 REQUIREMENTS WITH THE FOLLOWING RANGE OF WIRE SIZES AND TYPES IN CONJUNCTION WITH APPROPRIATE COMPONENTS FOUND IN THE "APPLICABLE COMPONENTS" CHART:
  - AWG - WIRE SIZES: 20AWG - 14AWG
  - INSULATION DIAMETER: 1.70mm MIN - 2.77mm MAX
  - WIRE TYPE: MLI-123-A, MS-8288 OR EQUIVALENT (STRUCTURE AND PROPERTIES ACCORDING TO SAE J1128)
  - METRIC - WIRE SIZE: 0.50mm<sup>2</sup> - 2.50mm<sup>2</sup>
  - INSULATION DIAMETER: 1.40mm MIN - 3.00mm MAX
  - WIRE TYPE: FLR2X-A OR EQUIVALENT (STRUCTURE AND PROPERTIES ACCORDING TO ISO 6722)

CONTACT DELPHI ENGINEERING REGARDING USE OF OTHER WIRE SIZES AND/OR TYPES WIRE AND INSULATION TYPE MUST BE APPROPRIATE FOR TEMPERATURE CLASS & APPLICATION ENVIRONMENT
- CONNECTOR IS MATE COMPATIBLE WITH DEVICES CONFORMING WITH THE FOLLOWING INTERFACE SPECIFICATIONS:
  - BOSCH DWG 1928500000 VARIANT A
  - GM DWG 13115604

FOR CONSTRUCTION OF NEW DEVICES, SEE SHEET 2 FOR INTERFACE DETAILS.

NOTE: EXCESSIVELY THICK TIN PLATING ON DEVICE BLADES IS NOT RECOMMENDED, SEE EWCAP-001 (280-T001) BLADE SPECIFICATION FOR PREFERRED PLATING

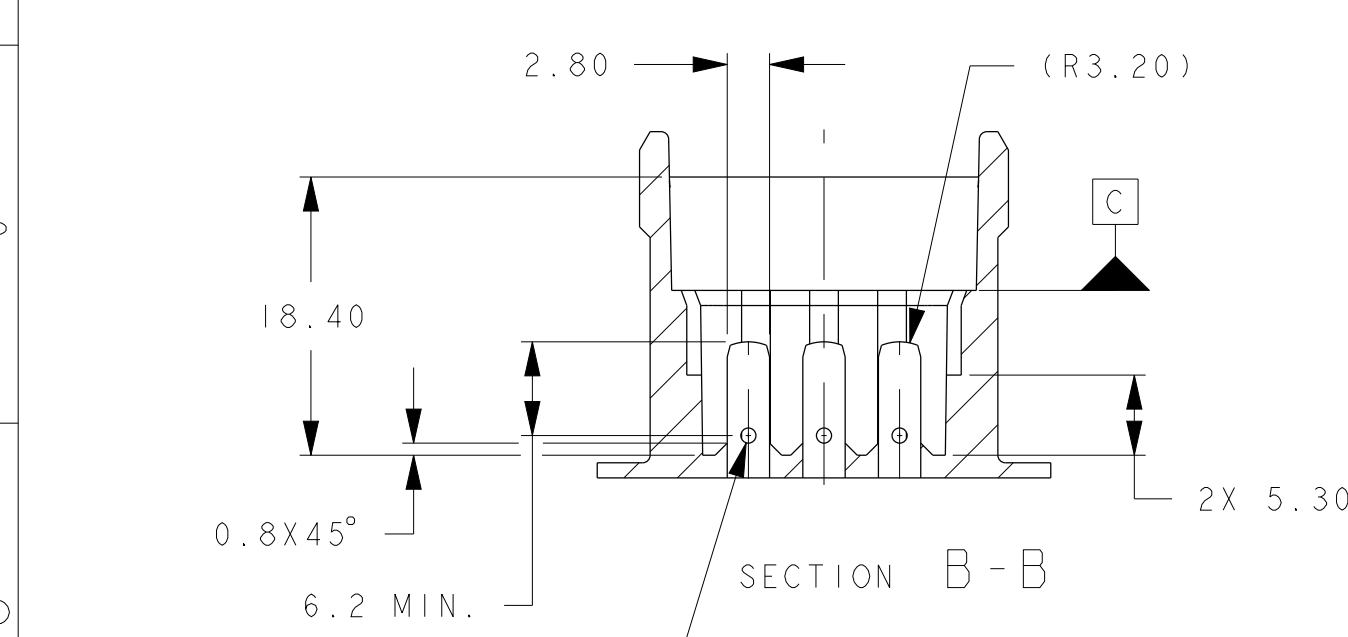
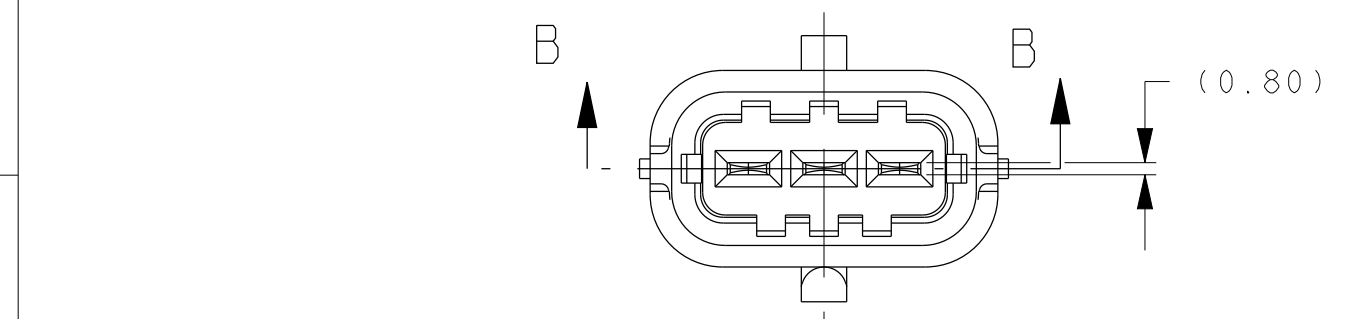
DEVICE SUPPLIERS RESPONSIBLE FOR VALIDATING PERFORMANCE OF DEVICE TO SAE/USCAR-2 REV 5
- ANNUAL QUALITY REQUIREMENTS:
  - IT IS PERMISSIBLE TO PERFORM CONTINUOUS PERFORMANCE PER DELPHI SPECIFICATION #80A-001 INSTEAD OF ANNUAL LAYOUT AND ANNUAL PV REQUIREMENTS OF ISO TS16949 AND SAE/USCAR-2 REV 5. FOR TERMINAL TO CONNECTOR AND TPA TO CONNECTOR ONLY.
- SOURCE ID, MOLD & CAVITY ID SIGNIFIES TOOL OWNERSHIP, FOR REFERENCE
- (K) INDICATES IN-PROCESS INSPECTION FOR MANUFACTURING DIMENSIONS OR SPECIFICATIONS.

REV	DATE	DESCRIPTION	BY	CHKD
1		ECO 423850, UPDATE VIEWS FOR DESIGN IMPROVEMENT TO CPA F152210, DELPHI P/N'S ADDED FOR W/L P/N'S, REVISED NOTE 5, REMOVED PART NUMBERS 54001432, 54001448, 54001840 AND 54001879, ADD SHEET 2 WITH INTERFACE DETAILS		
2		REVISED NOTE 4 WITH 0.5mm WIRE INFO		
3		CORRECTED WIRE INSULATION DIA RANGE FOR F516000 2.18mm-2.80mm WAS 2.18mm-2.77mm		
4		CORRECTED PART NUMBER: F131210 WAS F181210		
5		NEW RELEASE - RELEASED AT REV 0		

REV	DATE	DESCRIPTION	BY	CHKD
1		SEE NOTES		
2		SEE NOTES		
3		SEE NOTES		
4		SEE NOTES		
5		SEE NOTES		

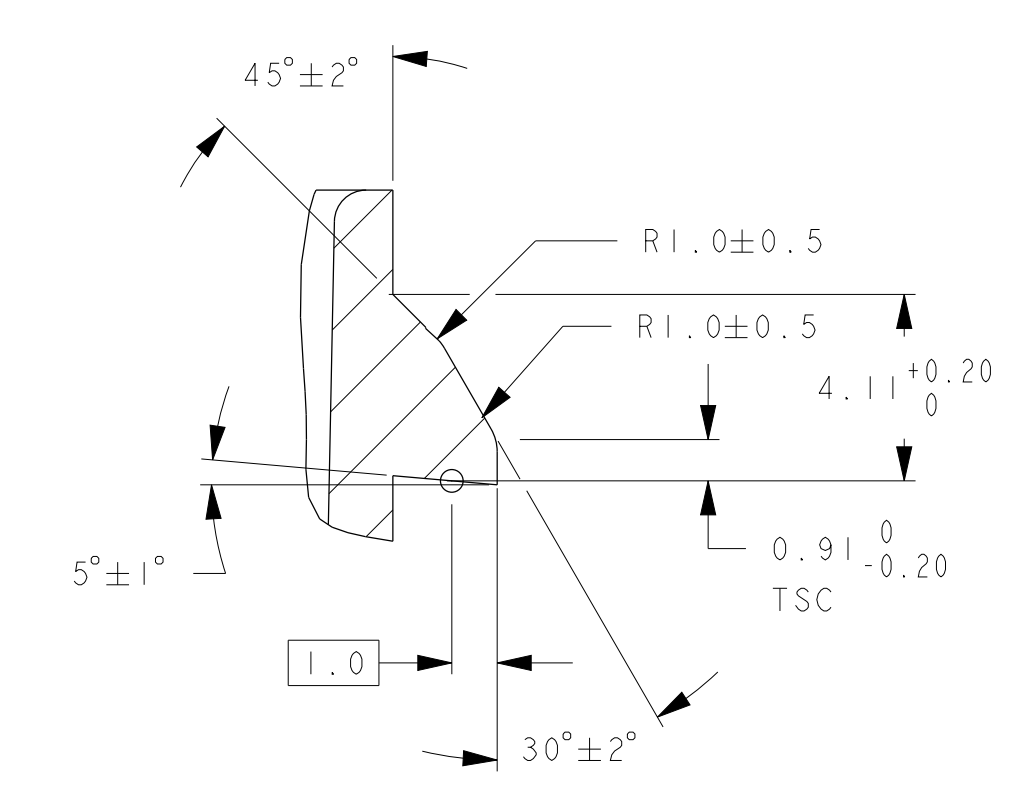
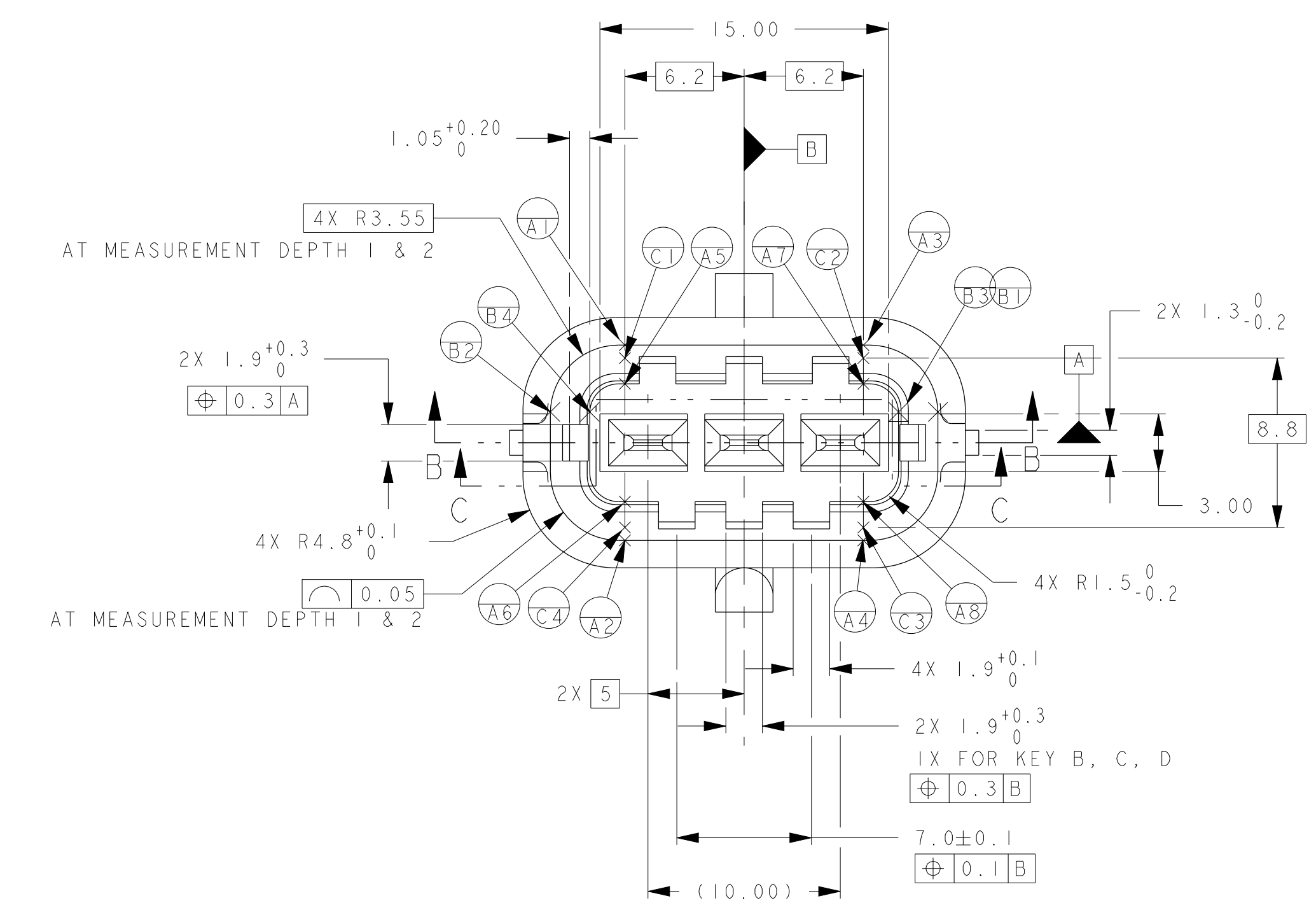
DELPHI  
SERIAL RELEASED  
PCC0606106  
SCALE 4:0



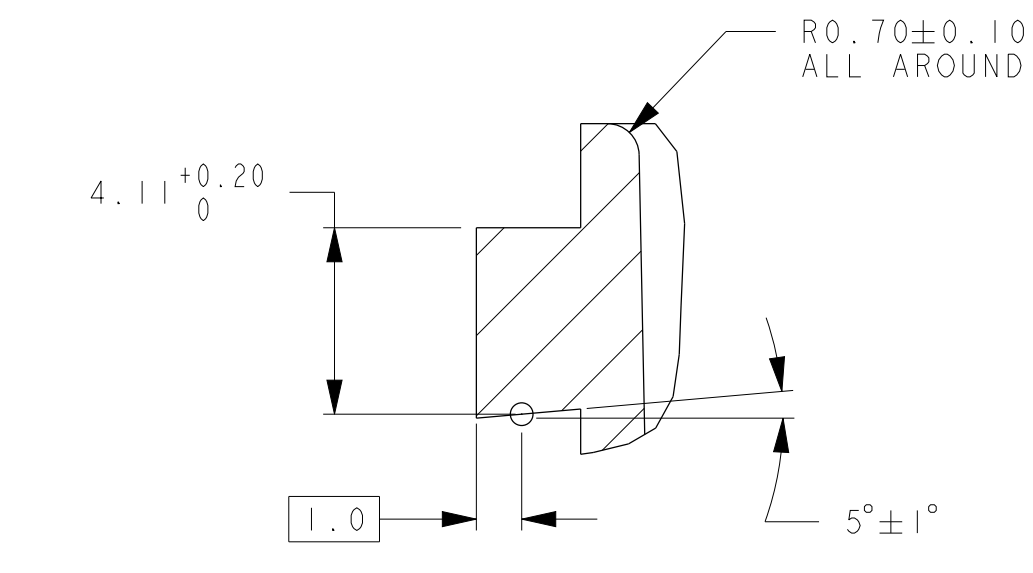
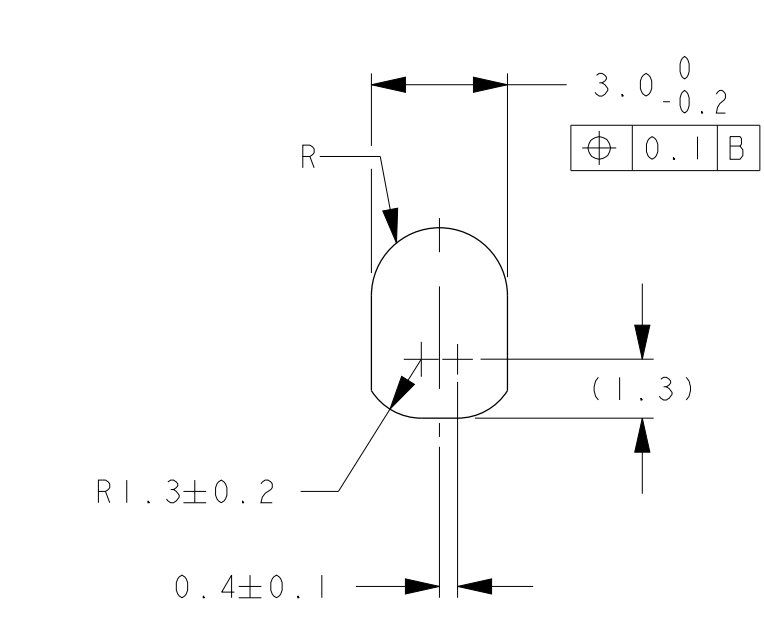
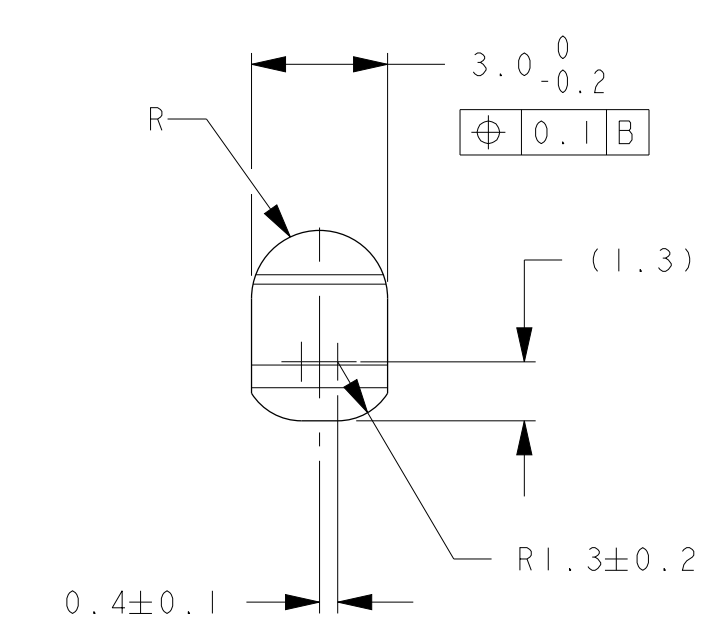
HOLE  $\varnothing 0.5 \pm 0.1$  ADMISSIBLE IN CASE OF USE. CHAMFER  $0.8 \times 45^\circ$  IS NOT REQUIRED

PROVIDED FOR INFORMATION PURPOSE ONLY

DEPICTED FEATURES NOT TO BE INCLUDED ON NEWLY TOOLED HEADERS. THIS MAY BE PRESENT ON CURRENT OLDER HEADERS.

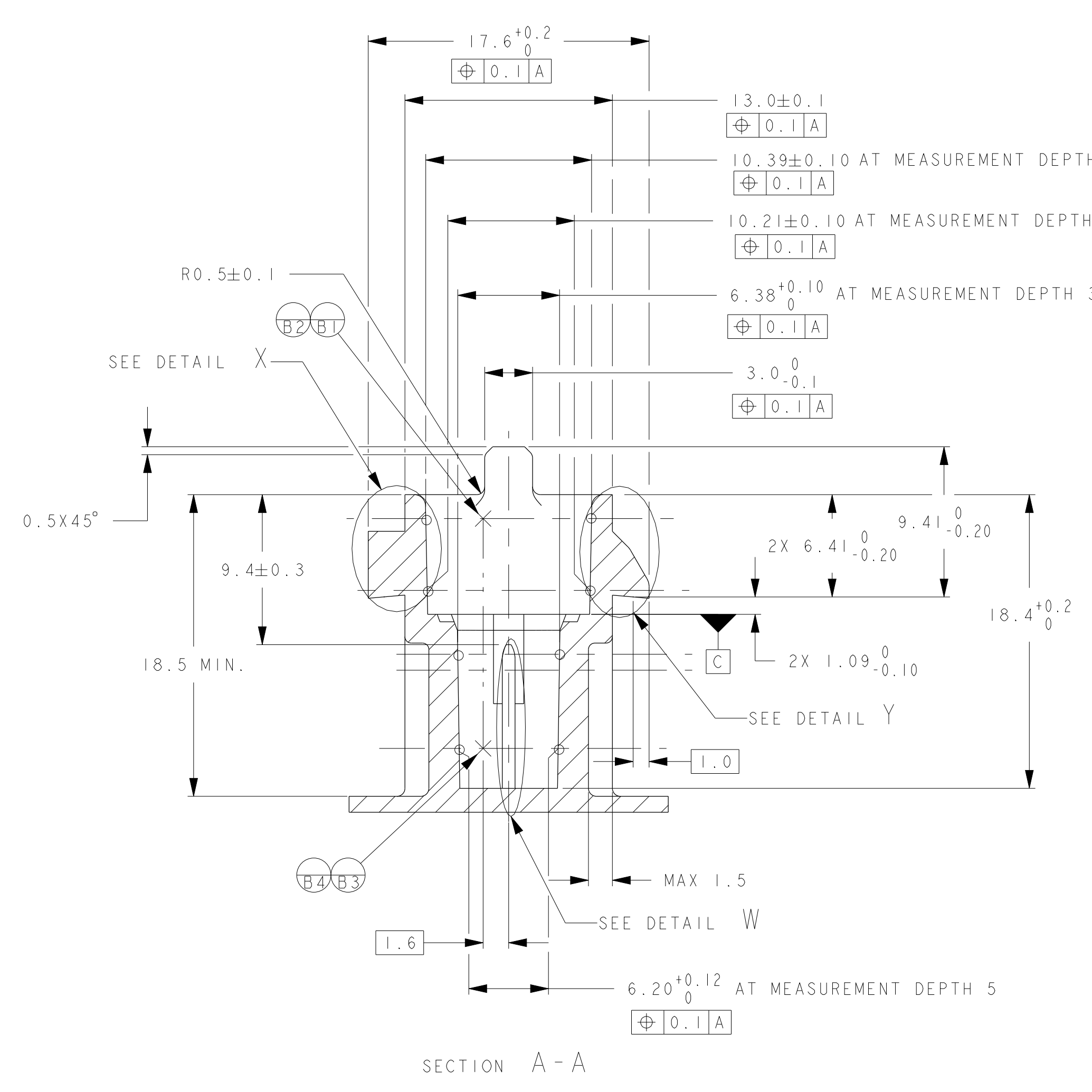


DETAIL Y SCALE 6:1

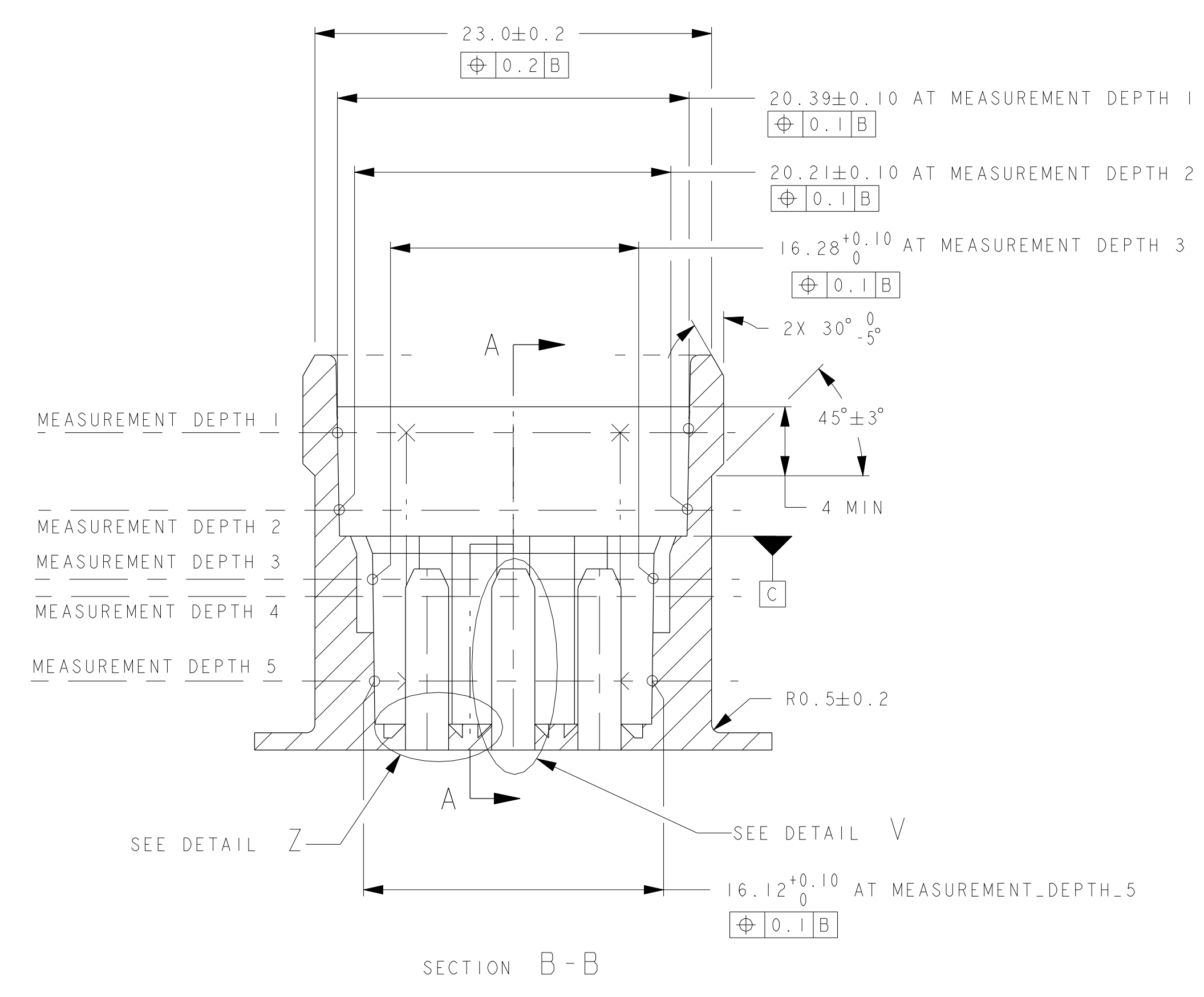


DETAIL X SCALE 6:1

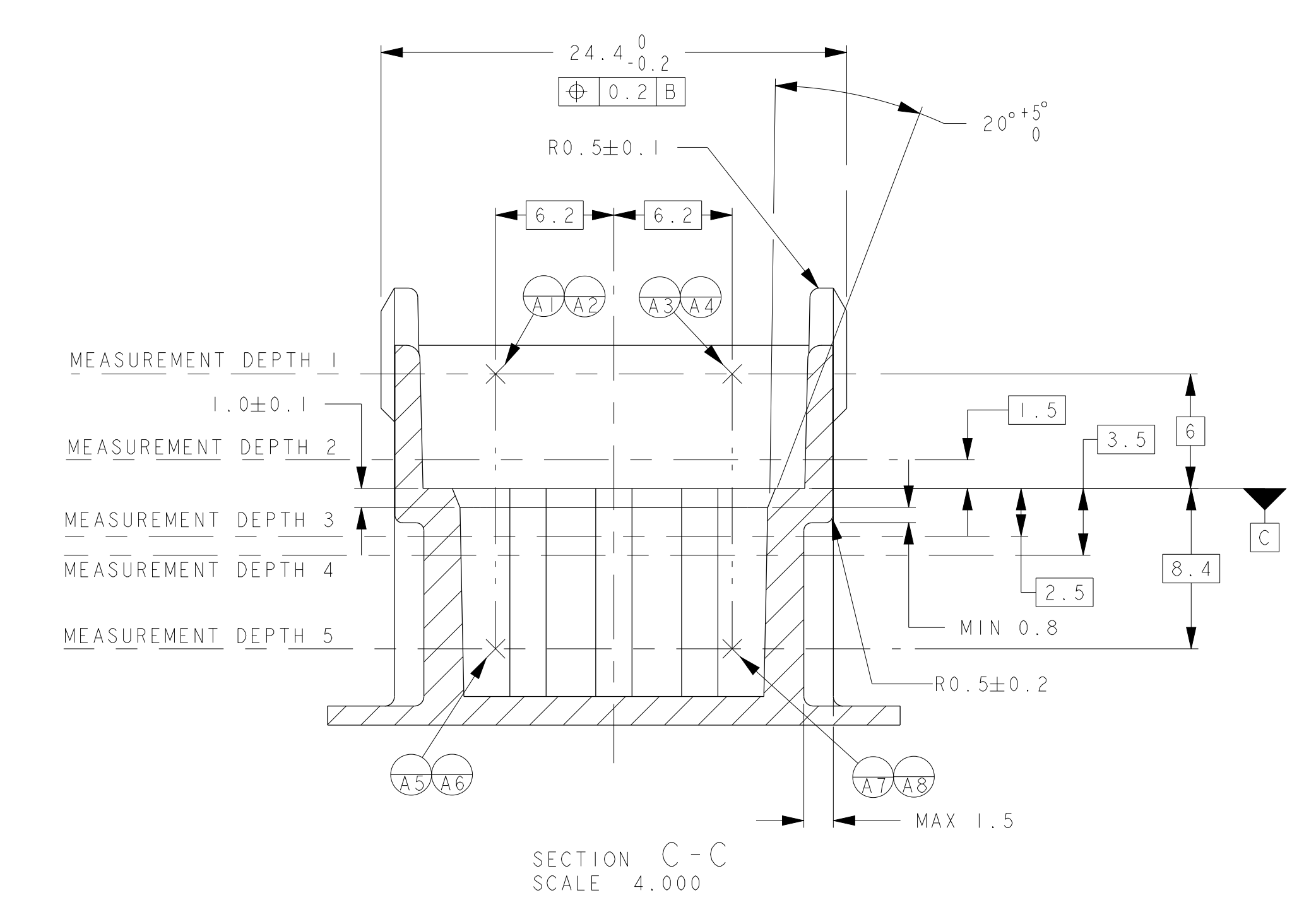
LATCH CONSTRUCTION



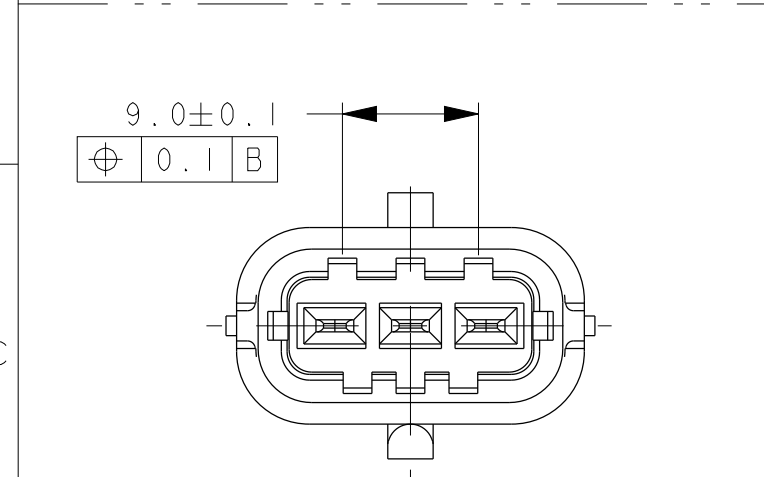
SECTION A-A



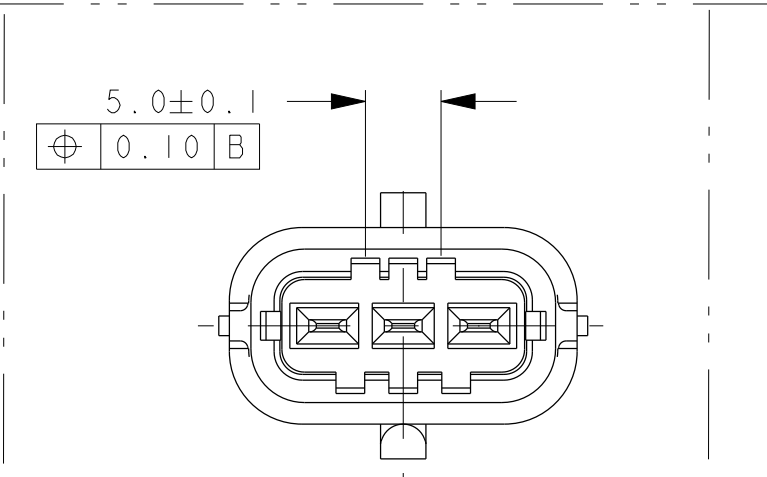
SECTION B-B



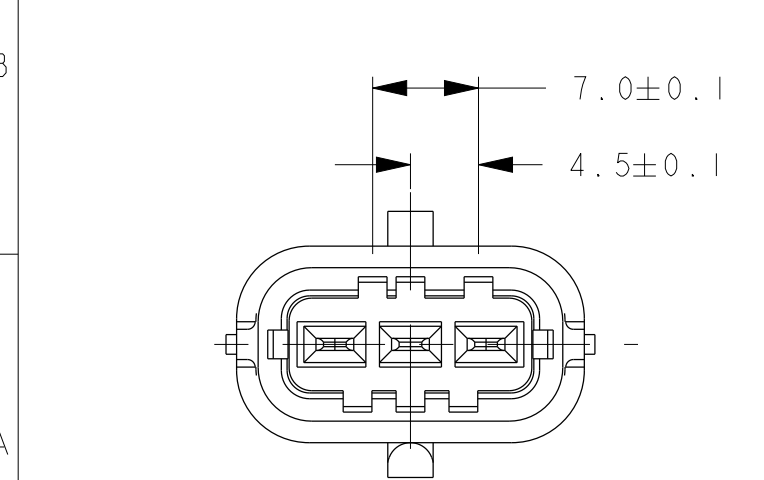
SECTION C-C SCALE 4.000



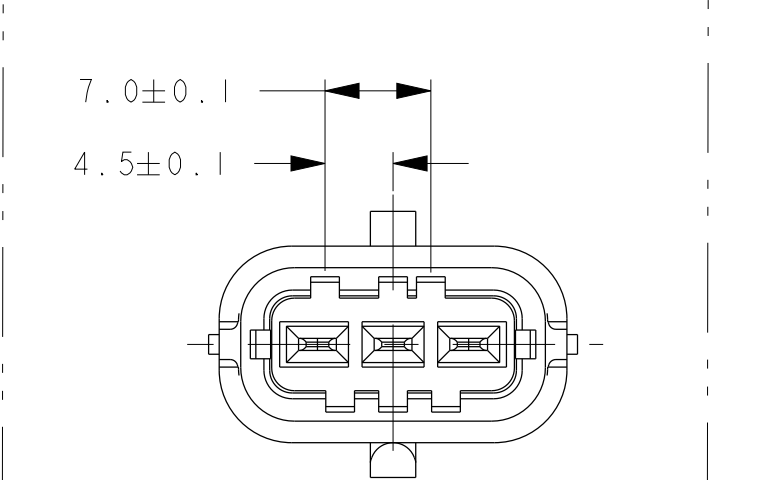
KEYING OPTION A



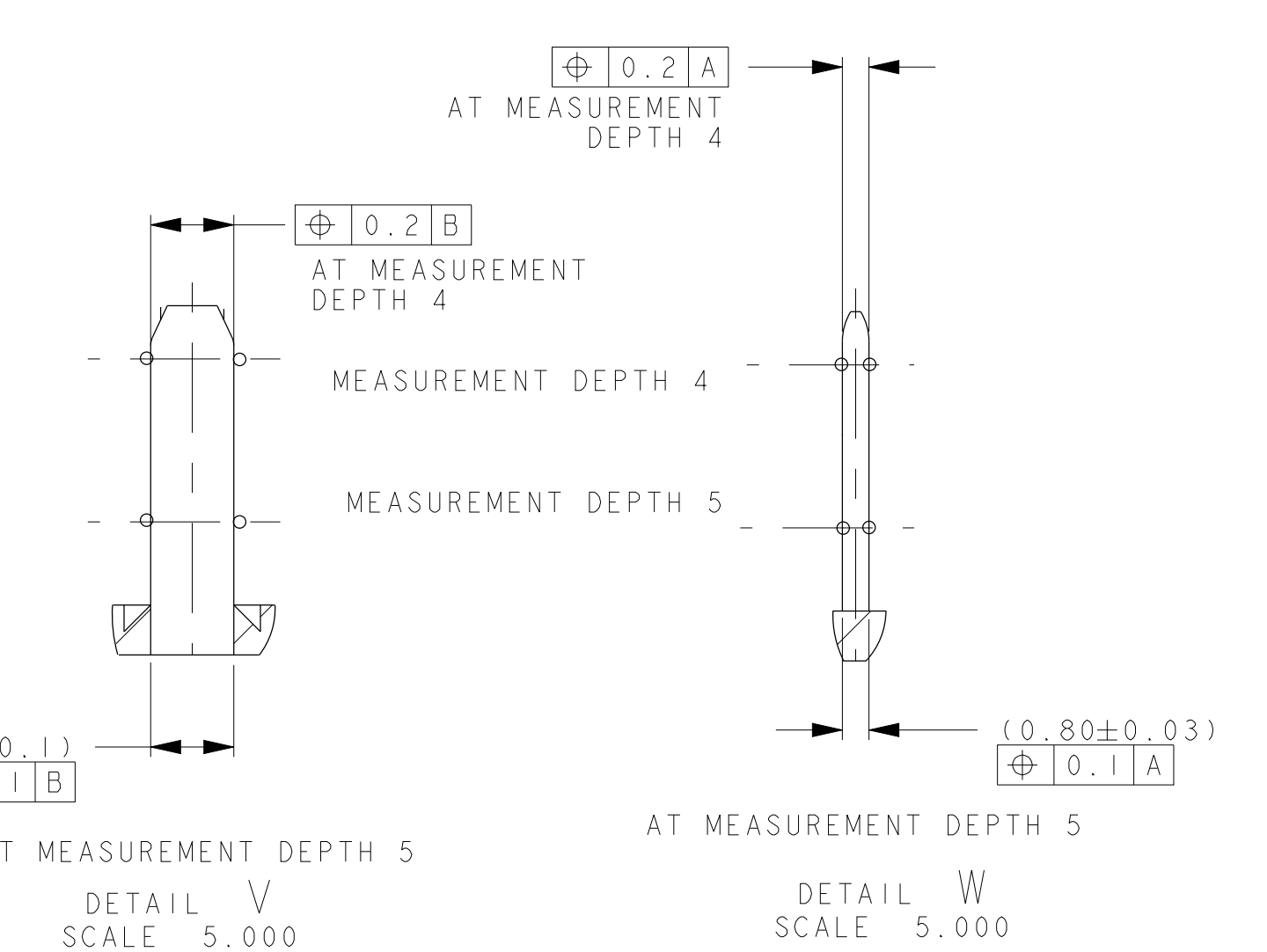
KEYING OPTION B



KEYING OPTION C

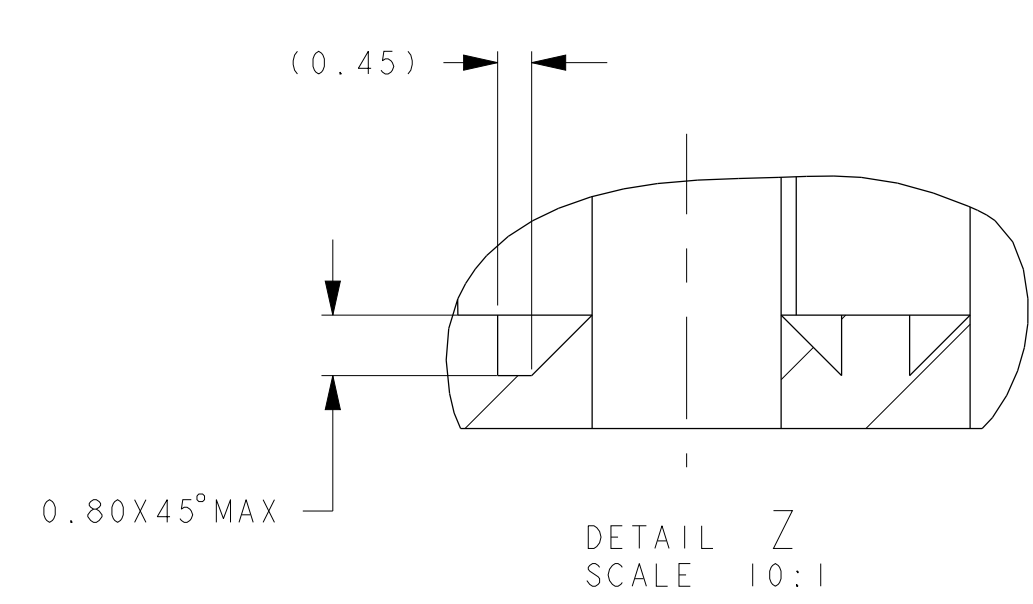


KEYING OPTION D



DETAIL V SCALE 5.000

DETAIL W SCALE 5.000



DETAIL Z SCALE 10:1

INTERFACE NOTES (REF):  
1. FOR HEADER BLADE INFORMATION SEE EWCAP DRAWING EWCAP-001.

SEE SHEET 1 FOR REV HISTORY		CHANGE DESCRIPTION	
REV. NO.	ZONE	DESCRIPTION	DATE
1		ISSUED FOR MANUFACTURE	10/10/06

PROJECT SPEC	PACKAGING SPEC	APPLICATION SPEC	COPYRIGHT DELPHI CORPORATION AND/OR ITS AFFILIATES. ALL RIGHTS RESERVED. REVISED THIS DRAWING IS THE PROPERTY OF DELPHI CORPORATION AND CONTAINS DELPHI CONFIDENTIAL INFORMATION. THE REPRODUCING, DISTRIBUTION AND UTILIZATION OF THIS DOCUMENT IS STRICTLY CONTROLLED AND IS LIMITED TO THE COMPANY AND ITS SUPPLIERS.
DESIGNER	DATE	NAME	PROJECT
PROJECT	DATE	NAME	PROJECT
APPROVED	DATE	NAME	PROJECT
FILE NAME	PCC0606106	DOCUMENT UNDER PRELIMINARY CONTROL. NO MODIFICATION ALLOWED OUTSIDE	

DELPHI	DELPHI	DELPHI	DELPHI
DELPHI	DELPHI	DELPHI	DELPHI
DELPHI	DELPHI	DELPHI	DELPHI
DELPHI	DELPHI	DELPHI	DELPHI

## X-ON Electronics

Largest Supplier of Electrical and Electronic Components

*Click to view similar products for [Automotive Connectors](#) category:*

*Click to view products by [APTIV](#) manufacturer:*

Other Similar products are found below :

[003-018-000](#) [60403001](#) [60993906-B](#) [629515004020001](#) [M902-2131](#) [M902-2161](#) [72.330.1035.1](#) [73.353.4028.0](#) [F119300-B](#) [F166900](#)  
[F258300-B](#) [F358300-B](#) [F407400](#) [F444110](#) [F487000](#) [F509500B-B](#) [827153-1](#) [8N1515-32-24P](#) [9-1326729-8](#) [925474-1](#) [928905-1](#) [964562-4](#)  
[968782-1](#) [GT17SA-8DS-HU](#) [98891-1012](#) [98947-1016](#) [12004475-L](#) [12010290](#) [12010309-B](#) [12015454](#) [12020219-B](#) [12020308](#) [12041318-B](#)  
[12052225-L](#) [12052466](#) [12059125](#) [12064869](#) [12004327-B](#) [12010503-B](#) [12015308](#) [12015384](#) [12015909](#) [1-21030-1](#) [12041254](#) [12041318](#)  
[12047946-B](#) [12047957](#) [12047957-L](#) [12059473](#) [12066261](#)