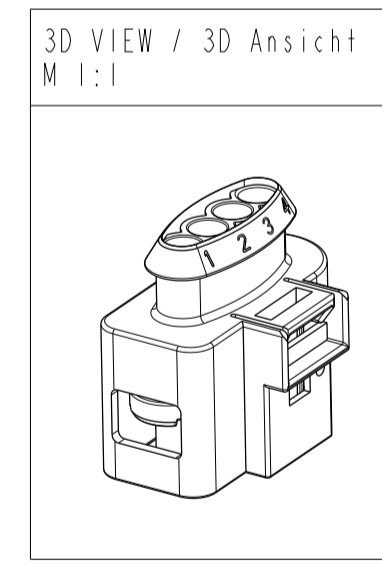
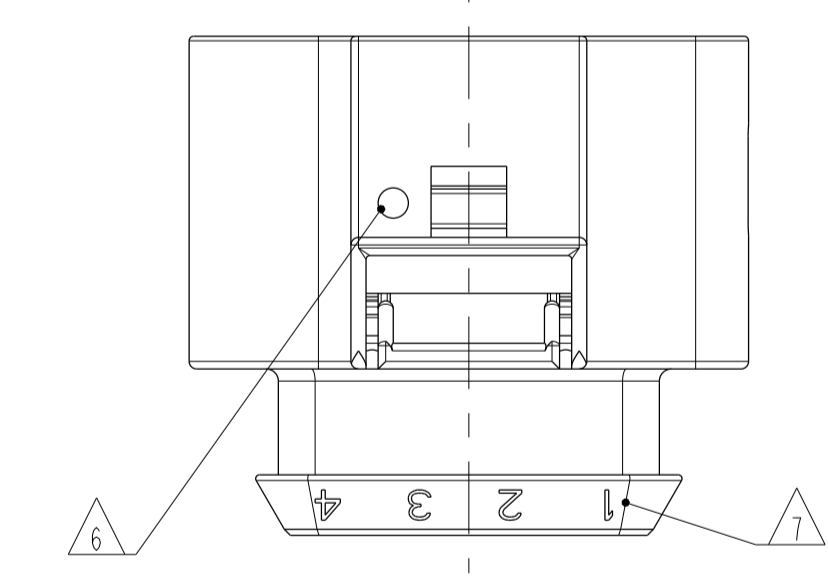
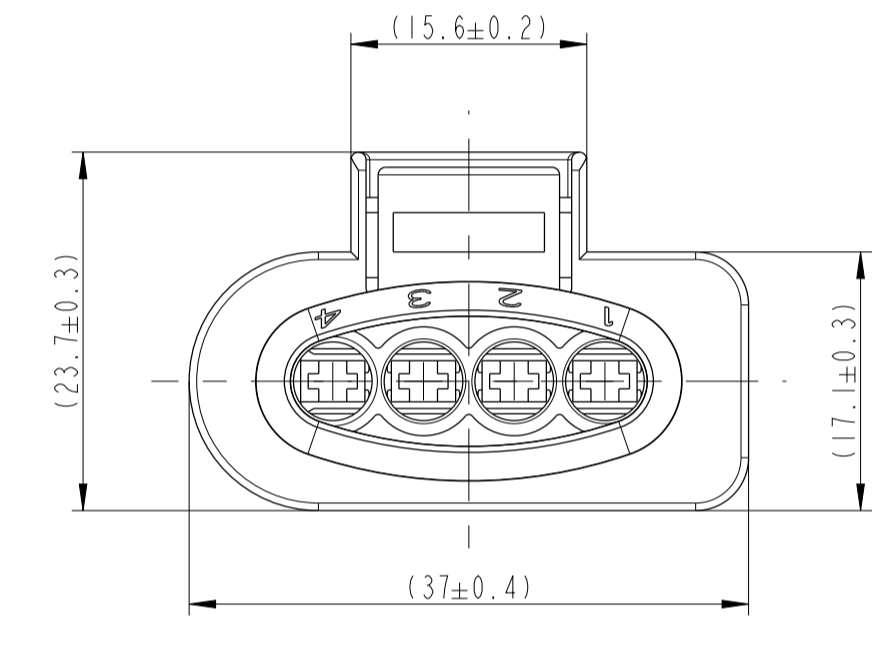
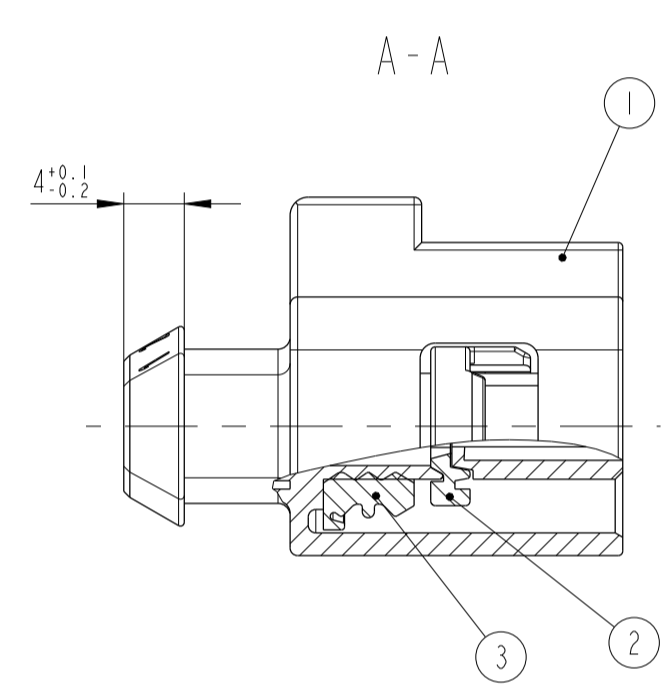
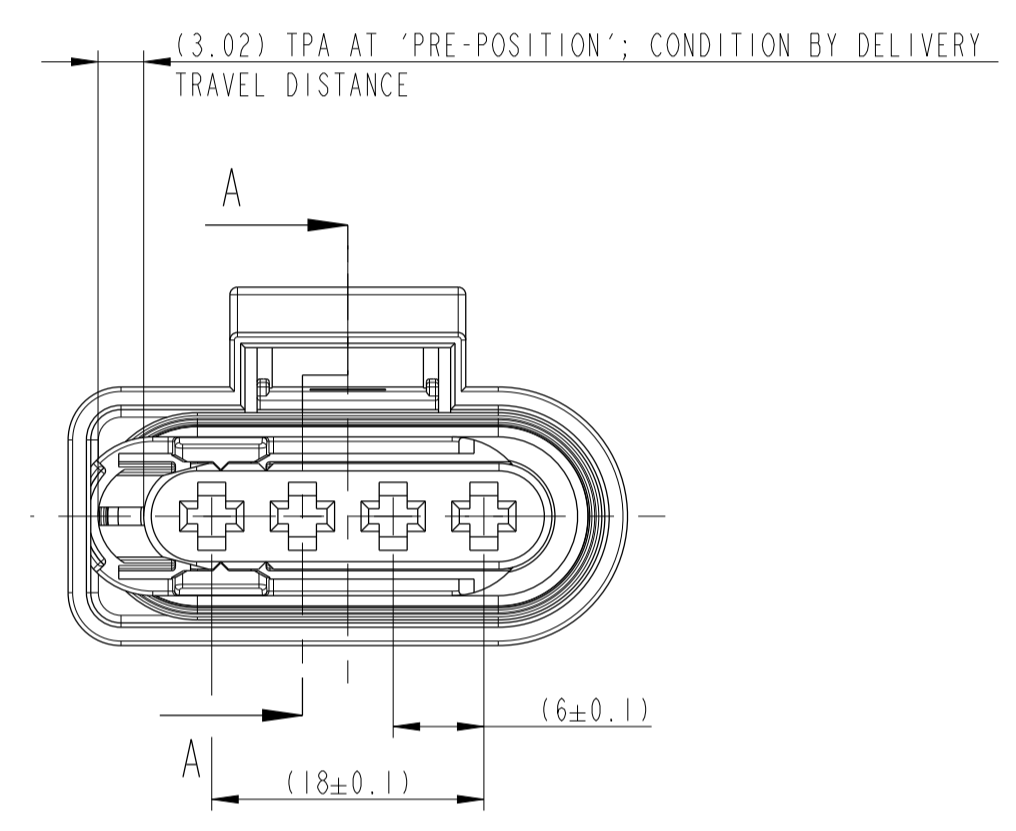
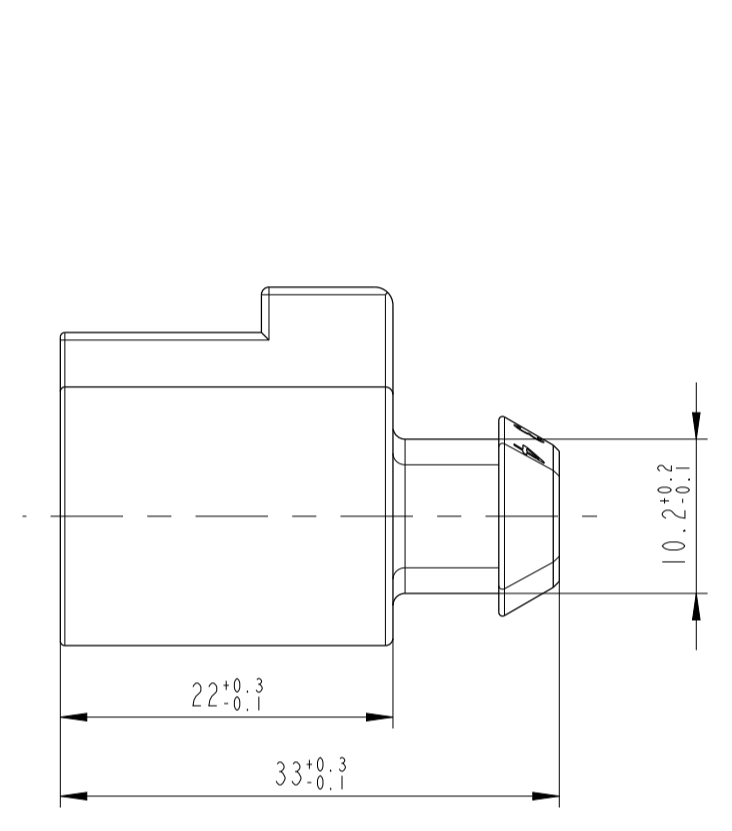
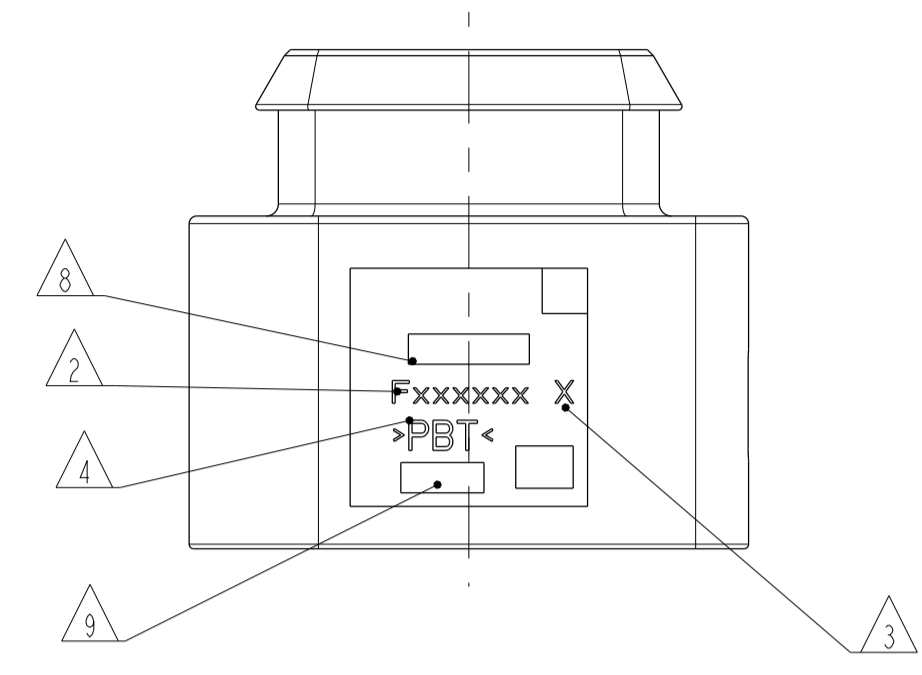
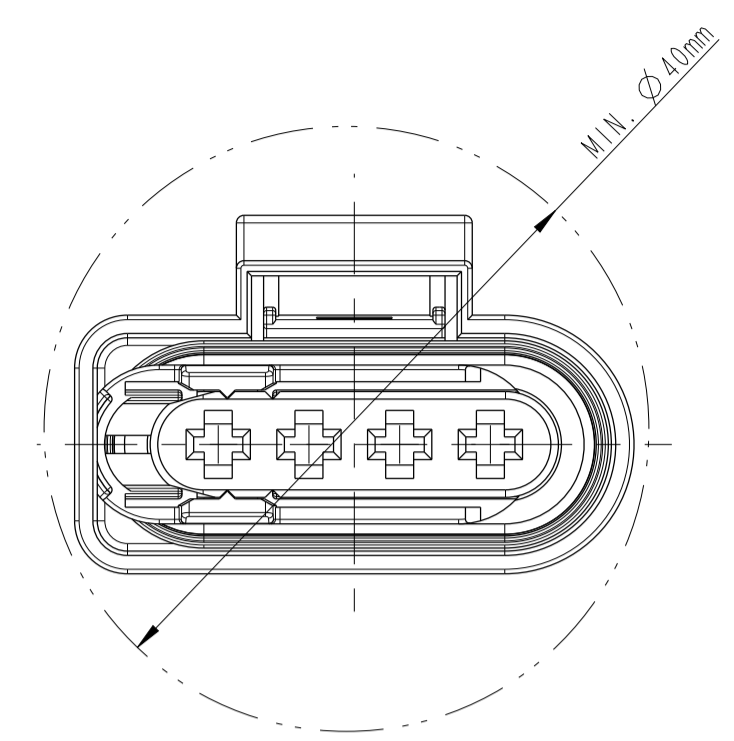


NOTES / Bemerkungen:

- 1 COMPANY LOGOTYPE
Firmenlogo
- 2 ASSEMBLY PART-NO. ; SEE TABLE
Baugruppentelnr. ; siehe Tabelle
- 3 REVISION INDEX OF ASSEMBLY
Teileänderungsindex der Baugruppe
- 4 IDENTIFICATION OF MATERIAL ACC. TO VDA 260
Materialkennzeichnung nach VDA 260
- 5 DATE CLOCK
Datumuhr
- 6 MOLD CAVITY IDENTIFICATION
Nestmarkierung
- 7 CAVITY IDENTIFICATION
Kammer - Nummerierung
- 8 COUNTRY OF MANUFACTURE
Herstellerland
- 9 MANUFACTURER CODE
Herstellercode
- 10 ONLY THE GERMAN LANGUAGE SHALL BE BINDING
Nur der deutsche Text ist bindend

BODY HOLE FOR CONNECTOR
Durchgangslach fuer Steckverbinder



DESIGNATION Benennung	MVL-PART-NO. MVL-Teilnr.	DELPHI-PART-NO. DELPHI-Teilnr.	WIRE CROSS SECTION [mm ²] Leitungsquerschnitt [mm ²]	MATERIAL / SURFACE Werkstoff / Oberflaeche	MVL-PART-NO. MVL-Teilnr.	DELPHI-PART-NO. DELPHI-Teilnr.	FOR INSULATION- Ø [mm] fuer Isolations- Ø [mm]	COLOR Farbe	Sn VERSIONS	
									6 099 40 07	10779160
4x FEMALE TERMINAL HPCS 2.8mm	Ag VERSIONS	F125410	33515099	CONTACT BODY/ Grundkoerper: CuCrSiTi (K75) SURFACE/ Oberflaeche: 1-3µm SnTop	6 099 40 15	10779162	1.2 - 2.0	BLUE blau	0.35	10789196
									0.5 - 1.0	10789197
									1.5	10781054
									2.5	
									0.35	33511491
									0.5 - 1.0	33511957
	SnTop VERSIONS	F225410	33515098	CONTACT BODY/ Grundkoerper: CuCrSiTi (K75) SURFACE/ Oberflaeche: 1-3µm SnTop	6 099 40 15	10779162	1.2 - 2.0	BLUE blau	0.35	33511491
									0.5 - 1.0	33511957
									1.5	13548633
									2.5	
									0.35	33515099
									0.5 - 1.0	33515098
HOOD/ Ueberfeder: X10 CrNi 18 8 / BLANK	F325410	33515097	HOOD/ Ueberfeder: X10 CrNi 18 8 / BLANK	6 099 40 23	10779159	2.0 - 2.7	RED-BROWN rotbraun	1.5	13548633	
								2.5		
								0.35	33515099	
								0.5 - 1.0	33515098	
								1.5	13548633	
								2.5		

PART-NO. Teile-Nr.	REV. INDEX	PART-NO. Teile-Nr.	REV. INDEX	WEIGHT Gewicht [g]	ITEM Position	QUANTITY Menge	NAME Benennung	MATERIAL Material	COLOUR Farbe
F391800	A	13853167	01	11.1	3	1	SEAL Dichtung	LSR SILICON	ORANGE Orange
					2	1	TPA Kontaktsicherung	PBT GF10	VIOLET violette
					1	1	4W FEMALE HOUSING 4pol. Buchsengehäuse	PBT	BLACK schwarz

ECN-NO. EKN-NUMMER	POSITION POSITION	CHANGE DESCRIPTION ÄNDERUNGSBESCHREIBUNG
14-01461	-	INITIAL RELEASE

PROJECT SPEC. PROJEKT-SPEZ.	PACKAGING SPEC. VERPACKUNGS-SPEZ.	APPLICATION SPEC. ANWENDUNGS-SPEZ.	COPYRIGHT DELPHI CORPORATION AND/OR ITS AFFILIATES. ALL RIGHTS RESERVED. REVISED THIS DRAWING IS THE PROPERTY OF DELPHI CORPORATION AND CONTAINS DELPHI CONFIDENTIAL INFORMATION. FOR REPRODUCTION, DISTRIBUTION AND RELEASE OF THIS CONTENT OR ITS CONTENT IN ANY FORM, IN ANY MEDIUM, WITHOUT EXPRESS AUTHORIZATION, IS PROHIBITED.

TOLERANCES TOLERANZEN	±0.1	±2*	MATERIAL : MATERIAL	SEE TABLE Siehe Tabelle	SURFACE FINISH OBERFLÄCHE	DELPHI ELECTRICAL/ELECTRONIC ARCHITECTURE DELPHI, GERMANY	DATE SYSTEM pro / eng.

CONTRACT NO. VERTRAGS-NR.	SEE DRW PCC0705186	PROJECT PROJEKT	DRAWING NUMBER ZEICHN.-NUMMER	REV. INDEX	APPROVAL LEVEL FREIGABESTUFE
			PCC078884	A	

DATE DATUM	NAME NAME	TITLE BEZEICHNUNG	DRAWING NUMBER ZEICHN.-NUMMER	REV. INDEX	APPROVAL LEVEL FREIGABESTUFE
20140805	M. WIELTHER	4W SEALED FEMALE CONNECTOR	PCC078884	A	
20140805	M. WIELTHER	4W SEALED FEMALE CONNECTOR	PCC078884	A	

STATUS STATUS	PART NUMBER TEILNUMMER	REV. INDEX	SCALE MAßSTAB
None			2:1

EUR CON. ILE FEB 03S

X-ON Electronics

Largest Supplier of Electrical and Electronic Components

Click to view similar products for [Automotive Connectors](#) category:

Click to view products by [APTIV](#) manufacturer:

Other Similar products are found below :

[003-018-000](#) [60403001](#) [60993906-B](#) [629515004020001](#) [M902-2131](#) [M902-2161](#) [72.330.1035.1](#) [73.353.4028.0](#) [F119300-B](#) [F166900](#)
[F258300-B](#) [F358300-B](#) [F407400](#) [F444110](#) [F487000](#) [F509500B-B](#) [827153-1](#) [8N1515-32-24P](#) [9-1326729-8](#) [925474-1](#) [928905-1](#) [964562-4](#)
[968782-1](#) [GT17SA-8DS-HU](#) [98891-1012](#) [98947-1016](#) [12004475-L](#) [12010290](#) [12010309-B](#) [12015454](#) [12020219-B](#) [12020308](#) [12041318-B](#)
[12052225-L](#) [12052466](#) [12059125](#) [12064869](#) [12004327-B](#) [12010503-B](#) [12015308](#) [12015384](#) [12015909](#) [1-21030-1](#) [12041254](#) [12041318](#)
[12047946-B](#) [12047957](#) [12047957-L](#) [12059473](#) [12066261](#)