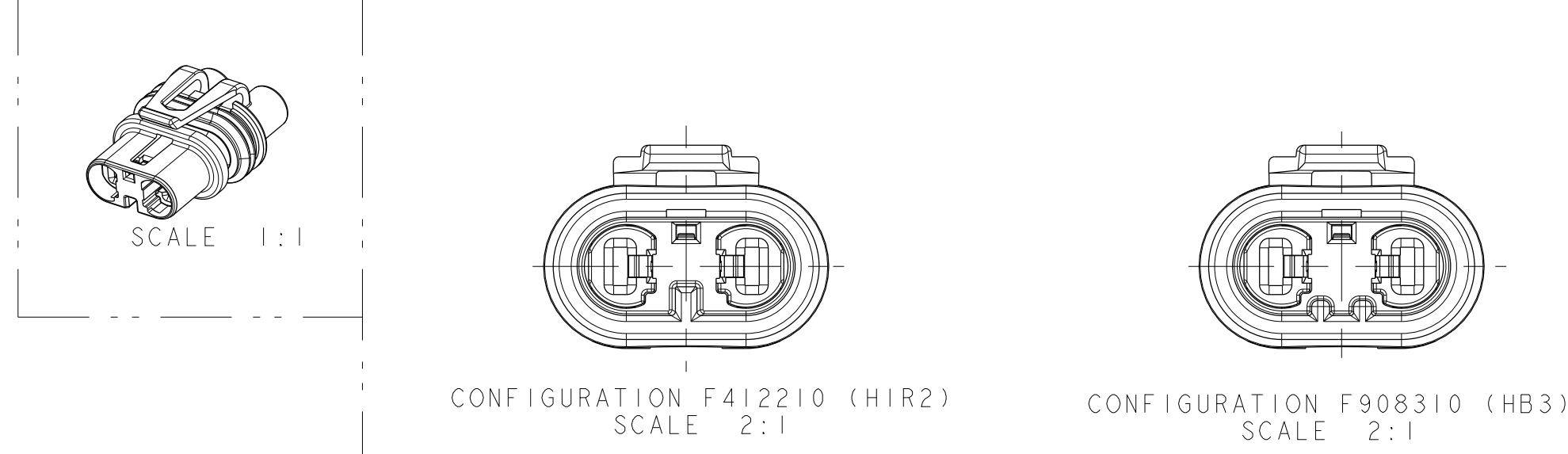
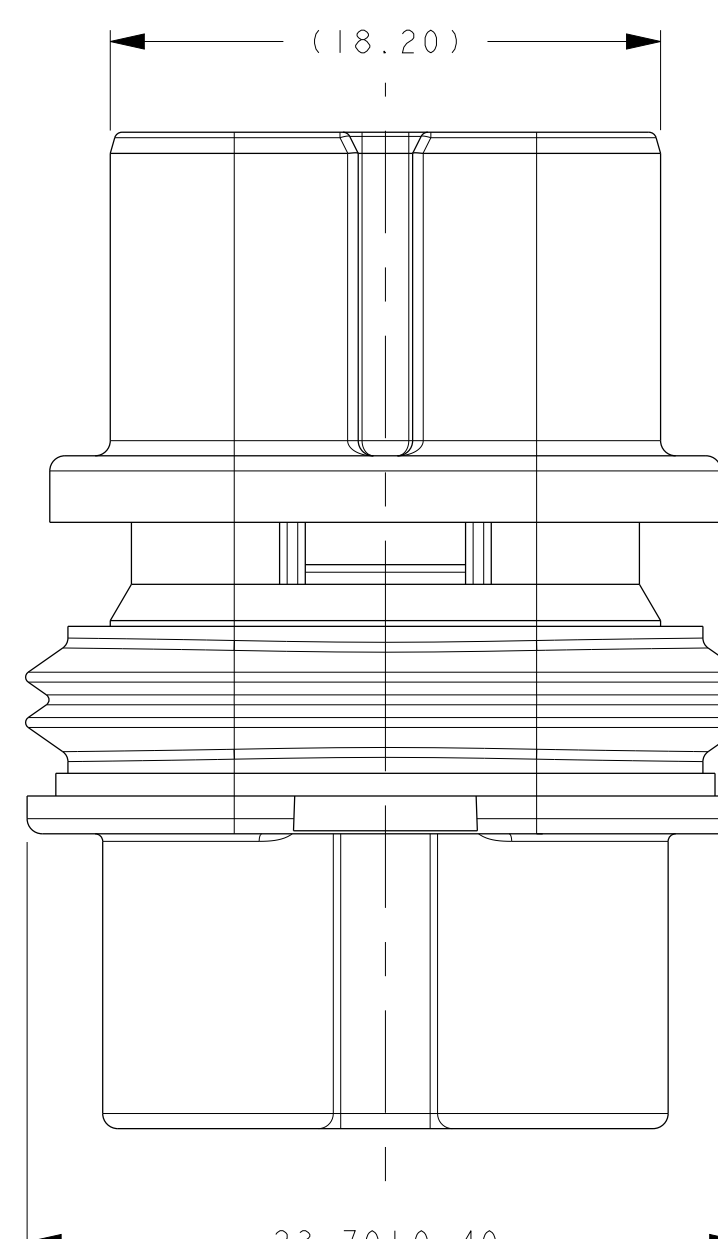
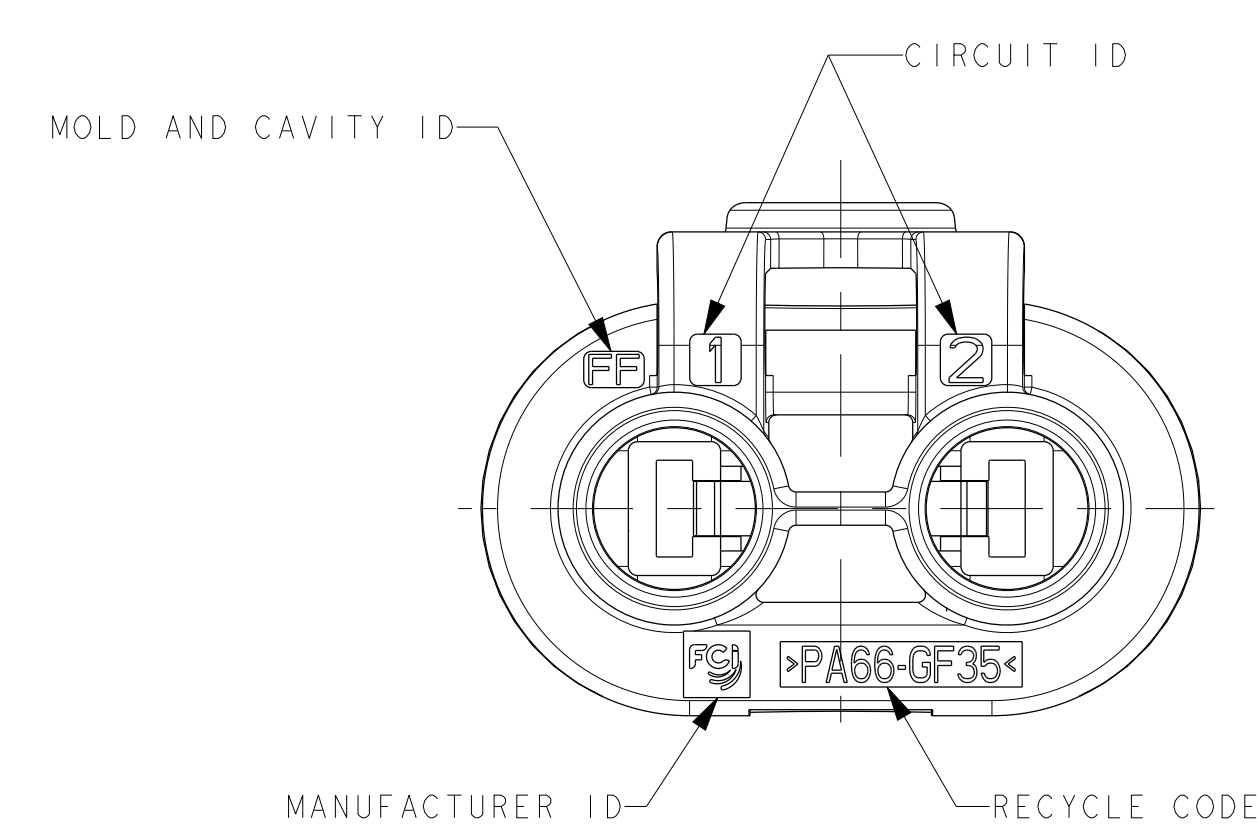
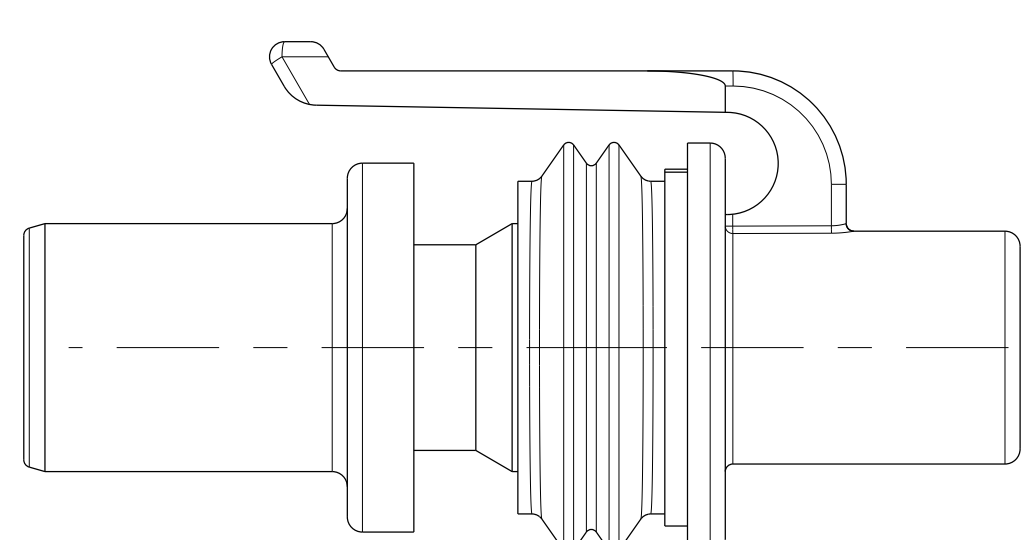
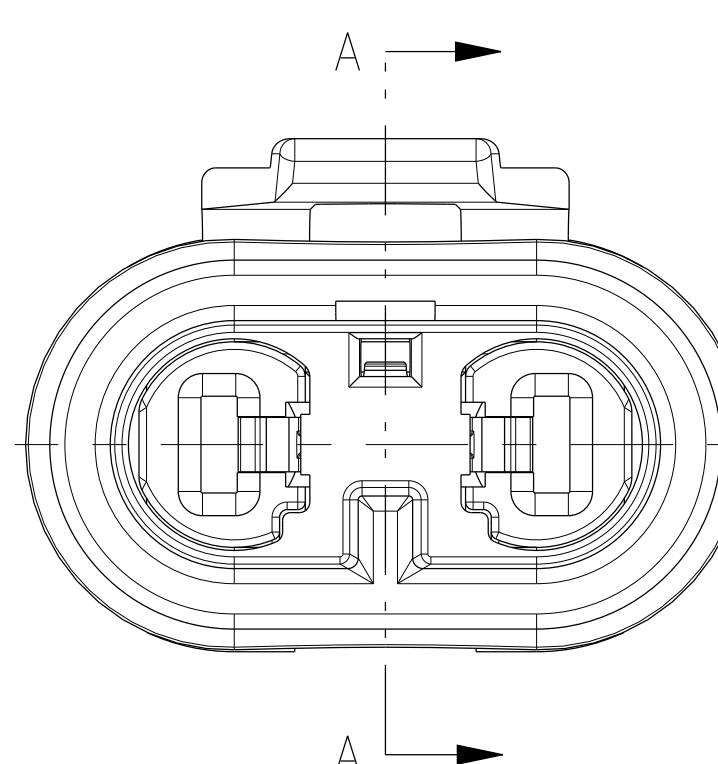
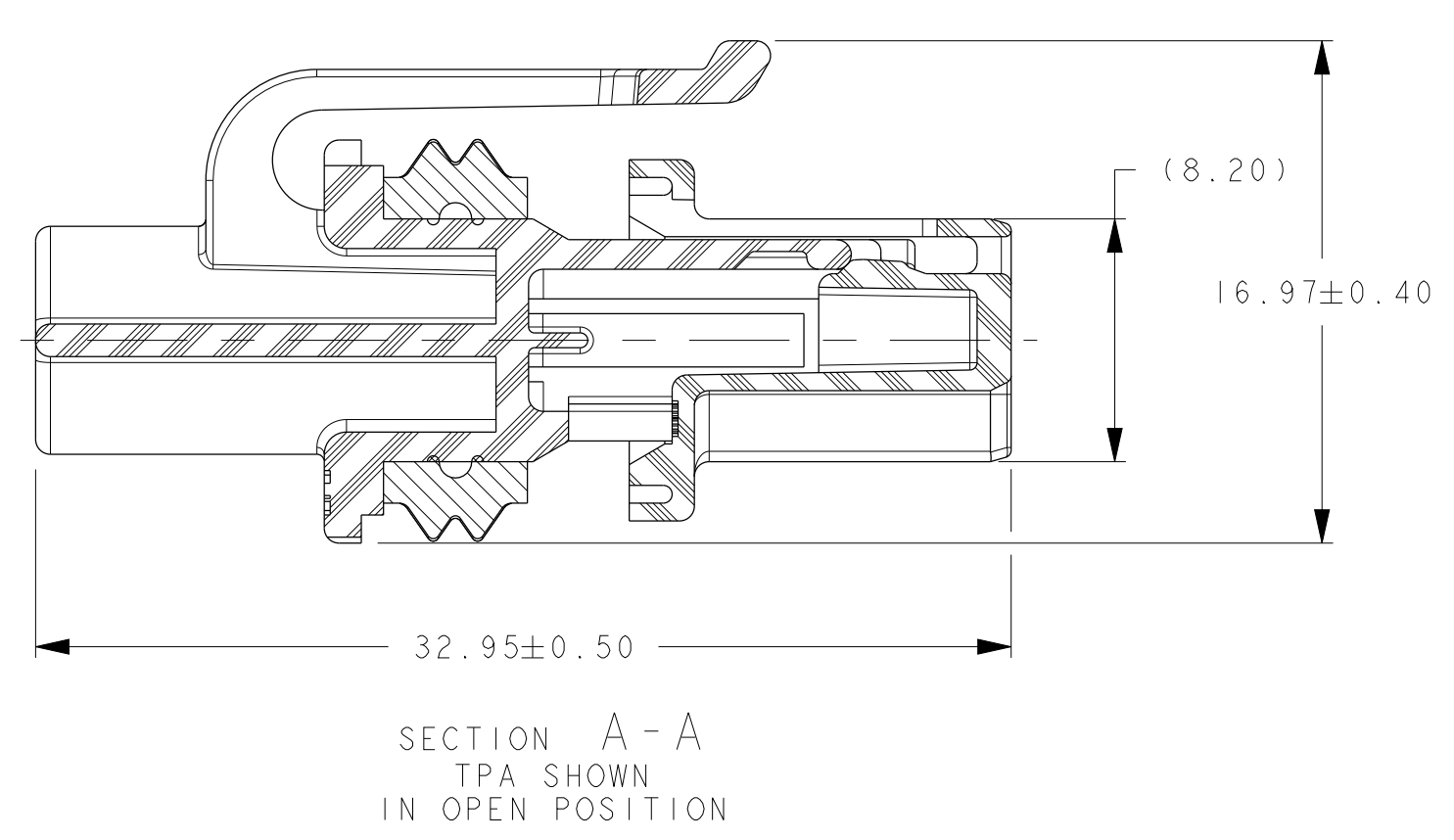
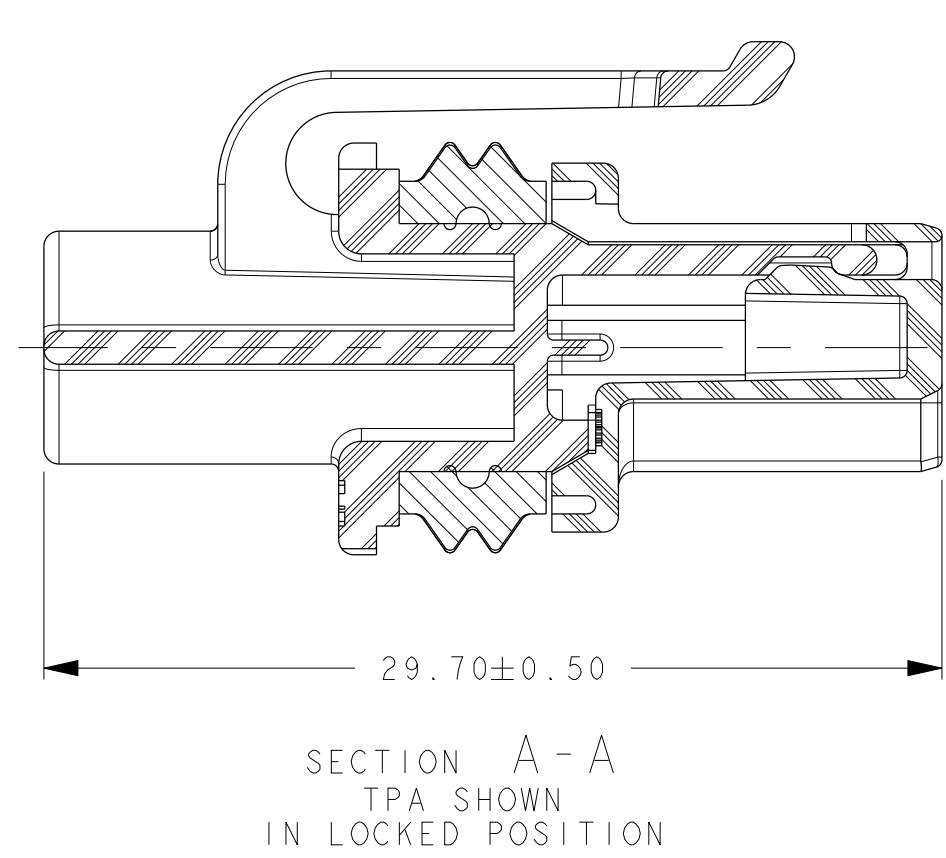
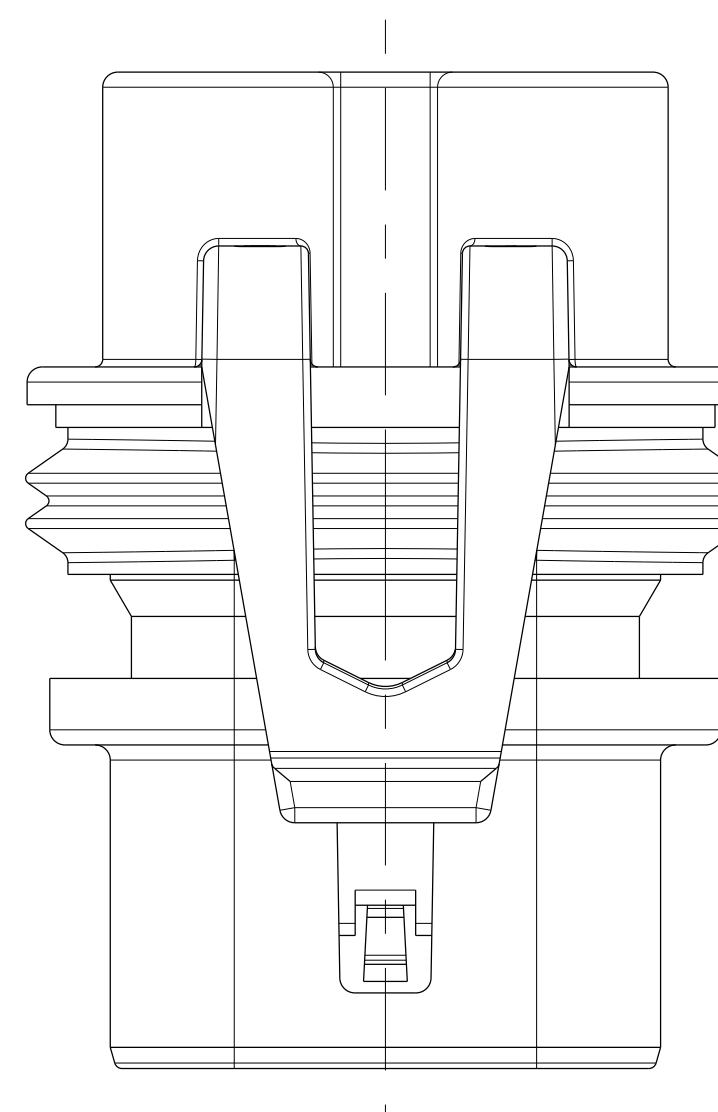


COMPONENTS LIST							
CONNECTOR PART NUMBER	CONFIGURATION	NHTSA DEFINITION (FOR REFERENCE ONLY)	CEI 60061-1 STANDARD (FOR REFERENCE ONLY)	PART NUMBERS			
				#1 TPA	#1 TPA COLOR	#2 HOUSING (BLACK)	#3 SEAL (BLUE)
F412210	HIR2 (9012) HB4 (9006) HB4A (9006XS)	NHTSA-1998-3397-0003 NHTSA-1998-3397-0013 NHTSA-1998-3397-0001	7004-32-2	F612210	DARK GRAY	F512210	240M041
				F908310	HB3 (9005) HB3A (9005XS) HIR1 (9011) H12 (9055) H10 (9145)		

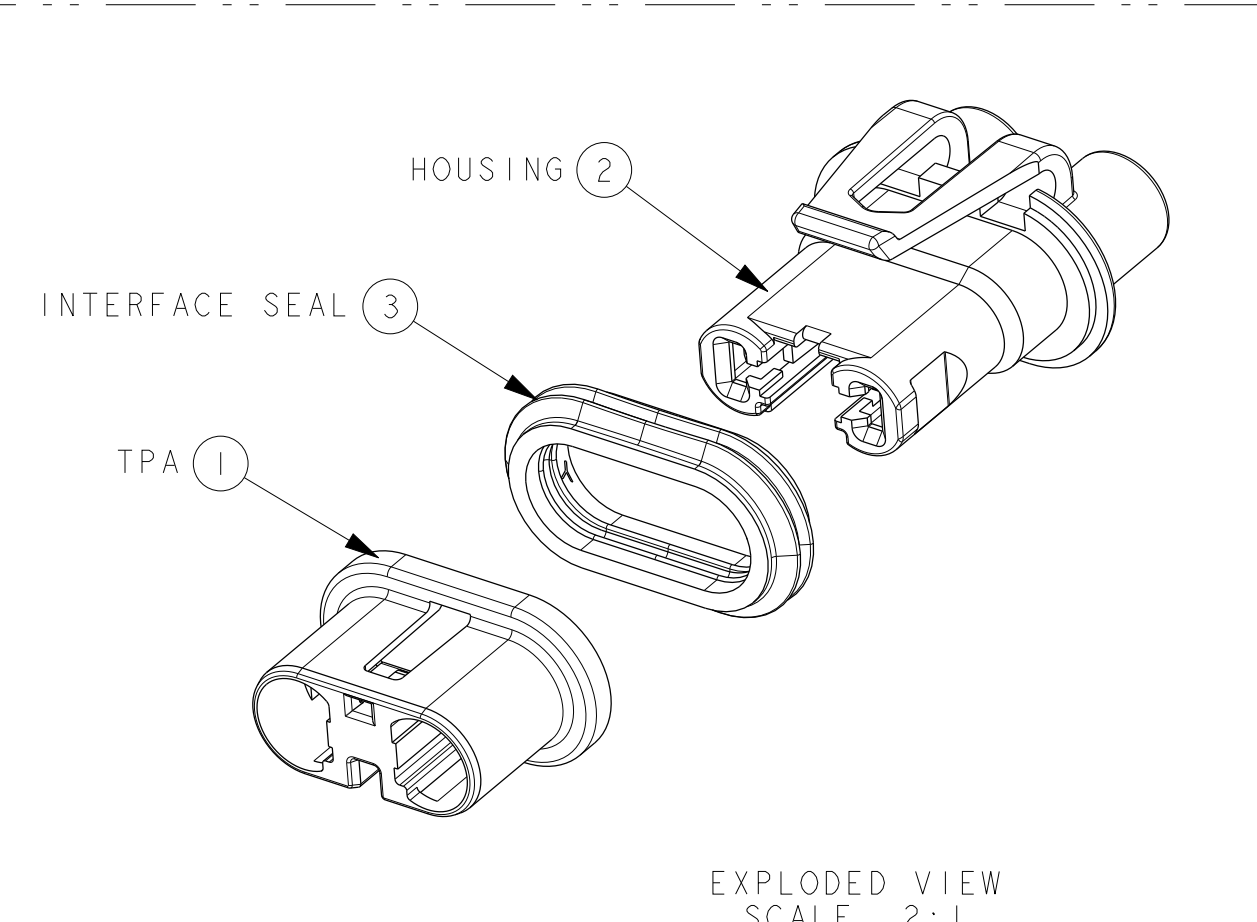
APPLICABLE COMPONENTS									
ITEM DESCRIPTION	PLATING OR COLOR	FORD COMP PART NUMBER	SUPPLIER	FCI / SUPPLIER PART NUMBER	GRIP CODE	WIRE SIZE	WIRE INSULATION DIAMETER RANGE	MATERIAL	
APEX 2.8 FEMALE TERMINAL	SILVER	-	FCI	F820310	14	14 AWG 1.50-2.50mm ²	2.20mm-3.00mm	COPPER ALLOY	
2.80mm SYSTEM CABLE SEAL ROUND	BLUE	8U5T-14603-NA	FCI (OSR)	F576000	-	14 AWG 1.50-2.0mm ²	2.20mm-2.80mm	SILICONE	
2.80mm SYSTEM CABLE SEAL ROUND	YELLOW	BU5T-10C930-HA	FCI	60994034	-	2.5mm ²	2.70mm-3.00mm	SILICONE	



POLARIZATION OPTIONS



- NOTES UNLESS OTHERWISE SPECIFIED:
- BULB HEATING EFFECT IN LIGHTING APPLICATIONS MUST BE CONSIDERED BY THE SPECIFYING PARTY AS TO APPROPRIATE WIRE, CABLE SEAL AND TERMINAL SELECTION AND FOR EACH LIGHTING SYSTEM'S VALIDATION TESTING. USE OF LARGEST CONDUCTOR WIRE WITH 150°C RATING IS STRONGLY RECOMMENDED IN ALL BULB OR OTHER SELF-HEATING APPLICATIONS.
 - TEST METHOD PER: GMW3191 V1 / S3 / T4 (150°C) MATED WITH SILVER PLATED TERMINAL PHILIPS HIR2 BULB PN# 928207417922 (GM PN# 13587719) UNPOWERED (BULB HEATING EFFECT NOT INCLUDED) WITH THE FOLLOWING EXCEPTIONS:
 - GMW3191 4.29 SUBMERSION: @185°C
 - GMW3191 4.21 THERMAL AGING: CONNECTOR @150°C, BULB ENVELOPE @100°C, 2000 HOURS, 9012HIR2 BULB POWERED @13.0VDC
 - SEAL TESTING TO: USCAR-2 REV 5 SEC W 125°C (PRESSURE/VACUUM STAND ALONE)
 - CONNECTOR TO BE USED WITH THE FOLLOWING RANGE OF WIRE SIZES AND TYPES:
 - WIRE SIZES: 1.50mm² - 2.50mm² AND 14 AWG
 - OUTSIDE DIAMETER: 2.20MM MIN O.D. TO 3.00MM MAX O.D.
 - TYPE/STANDARD: MS-9502, ES-AUST-1A348-AA Class 4, ISO6722 Class D
 - TEMP RATING: 150°C MINIMUM
 - CONTACT FCI ENGINEERING REGARDING USE OF OTHER WIRE SIZES OR TYPES. SEE NOTE #1.
 - SEE FCI DRAWING CI15004-CUST FOR TERMINAL CRIMPING REQUIREMENTS.
 - CONNECTOR IS MATE COMPATIBLE WITH BULBS/INTERFACES WHICH CONFORM TO THE STANDARDS SHOWN IN THE CHART.
 - ANNUAL QUALITY REQUIREMENTS: IT IS PERMISSIBLE TO PERFORM CONTINUOUS CONFORMANCE PER FCI SPECIFICATION AQA-001 INSTEAD OF ANNUAL LAYOUT AND ANNUAL PV REQUIREMENTS OF QS-9000 SECTION 2 AND SAE/USCAR-2.



NOTES		NOTE #2 REVISED	
EON 12-01208 WAS A1 SIZE FORMAT			
CHART ADDED CONFIGURATION AND NHTSA DEFINITION NUMBERS TO COMPONENTS LIST			
ENR-NO.	ZONE	CHANGE DESCRIPTION	
PRODUCT SPEC	PACKAGING SPEC	APPLICATION SPEC	THIS DRAWING AND ALL OTHER INFORMATION CONTAINED HEREIN IS PROPRIETARY AND THE PROPERTY OF FCI. THIS DRAWING MAY NOT BE REPRODUCED, COPIED, DISCLOSED TO ANY THIRD PARTY WITHOUT THE EXPRESSED WRITTEN PERMISSION OF FCI. FCI PART # 013999
REVISIONS	±0.1	±.2*	MATERIAL
DATE	BY	NAME	TITLE
DESIGNED BY	APPROVED BY	DATE	NO. OF CHG. AN
PROJECT	2W Female Connector	DRAWING NUMBER	PCC0783031
PROJECT	HR2/HB3 BULB CONNECTOR	STATE	SERIAL RELEASED
APPROVED BY	DATE	PART NUMBER	REV
FILE NAME	PCC0783031	DOCUMENT UNDER PEE CONTROL, NO MODIFICATION ALLOWED OUTSIDE	SCALE 1:1

X-ON Electronics

Largest Supplier of Electrical and Electronic Components

Click to view similar products for [Automotive Connectors](#) category:

Click to view products by [APTIV](#) manufacturer:

Other Similar products are found below :

[003-018-000](#) [60403001](#) [60993906-B](#) [629515004020001](#) [M902-2131](#) [M902-2161](#) [72.330.1035.1](#) [73.353.4028.0](#) [F119300-B](#) [F166900](#)
[F258300-B](#) [F358300-B](#) [F407400](#) [F444110](#) [F487000](#) [F509500B-B](#) [827153-1](#) [8N1515-32-24P](#) [9-1326729-8](#) [925474-1](#) [928905-1](#) [964562-4](#)
[968782-1](#) [GT17SA-8DS-HU](#) [98891-1012](#) [98947-1016](#) [12004475-L](#) [12010290](#) [12010309-B](#) [12015454](#) [12020219-B](#) [12020308](#) [12041318-B](#)
[12052225-L](#) [12052466](#) [12059125](#) [12064869](#) [12004327-B](#) [12010503-B](#) [12015308](#) [12015384](#) [12015909](#) [1-21030-1](#) [12041254](#) [12041318](#)
[12047946-B](#) [12047957](#) [12047957-L](#) [12059473](#) [12066261](#)