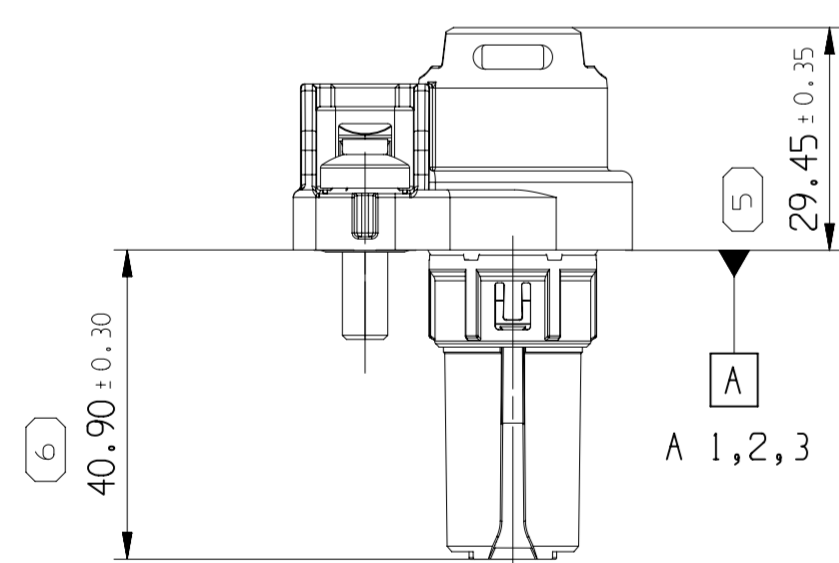
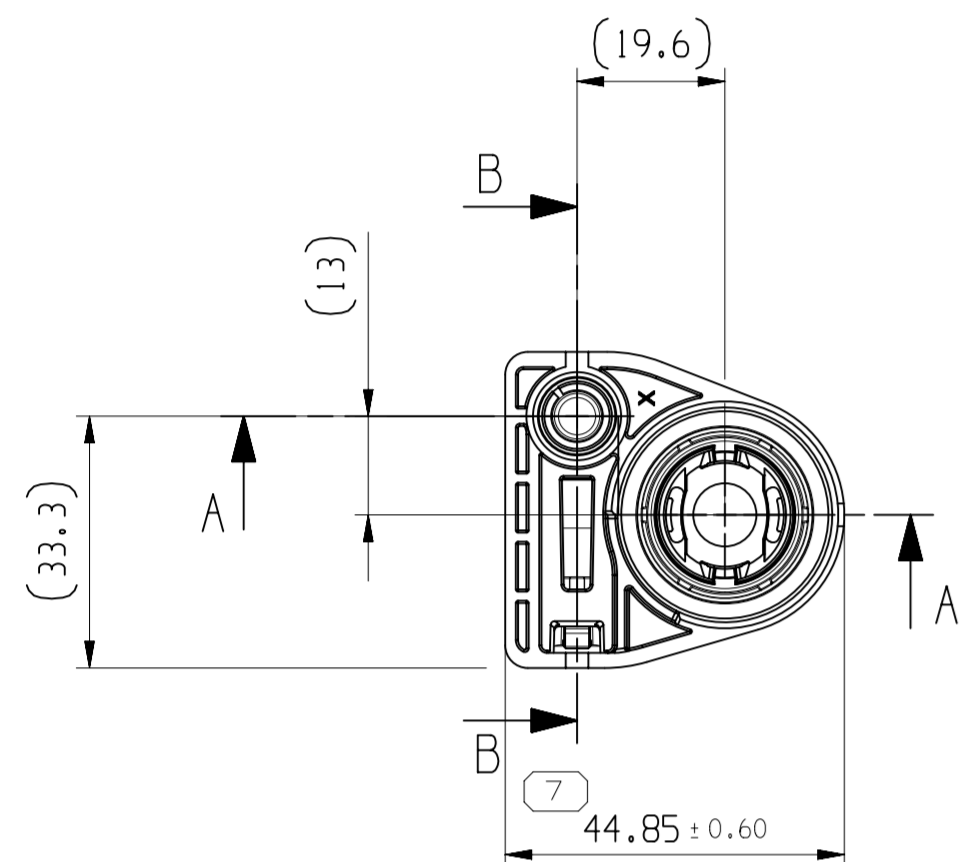
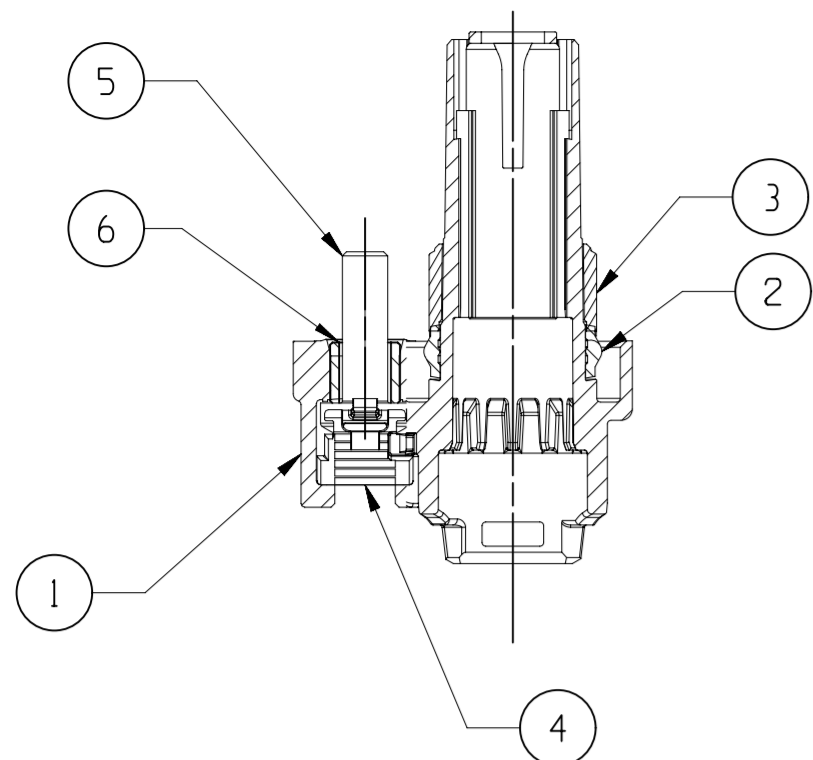


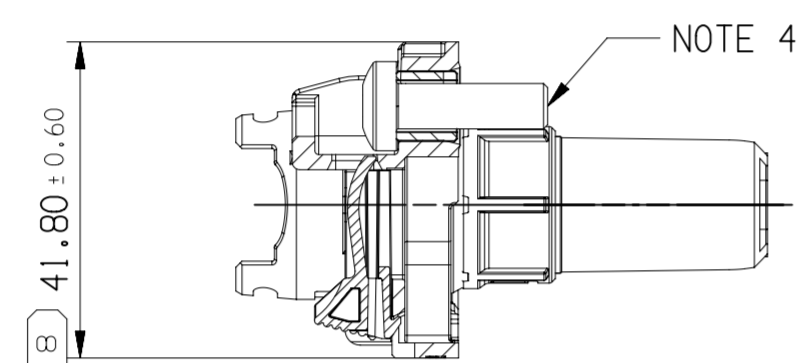
SECTION A-A



COMPONENTS TABLE

| N° | DESIGNATION | APTIV PN | QUANTITY |
|----|-------------------------|----------|----------|
| | FEMALE CONNECTOR | 35098437 | |
| 1 | OUTER PLUG | 35096611 | 1 |
| 2 | UNIT SEAL | 35082112 | 1 |
| 3 | PLASTIC CAP | 35096049 | 1 |
| 4 | SPA | 35082103 | 1 |
| 5 | SCREW M6x20 (ISO 14583) | 35158044 | 1 |
| 6 | METALLIC INSERT | 33508801 | 1 |

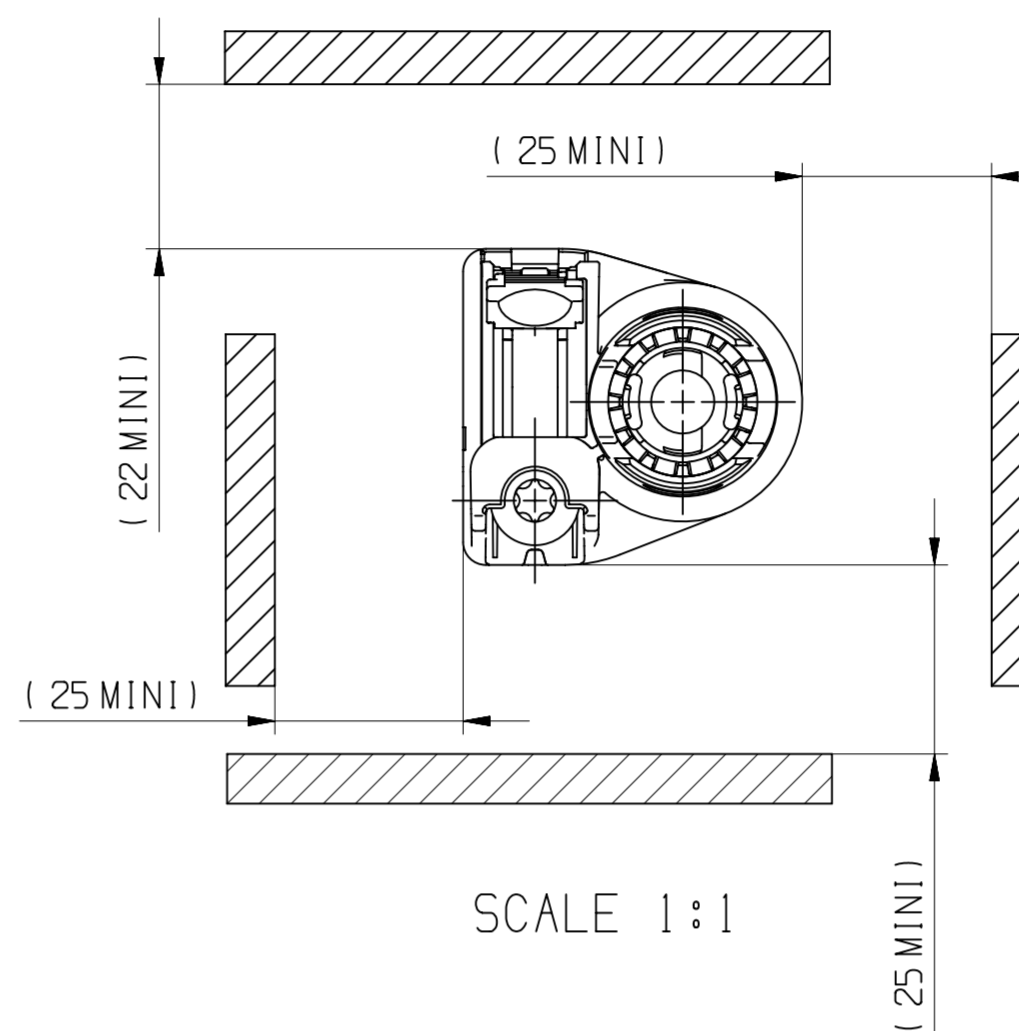
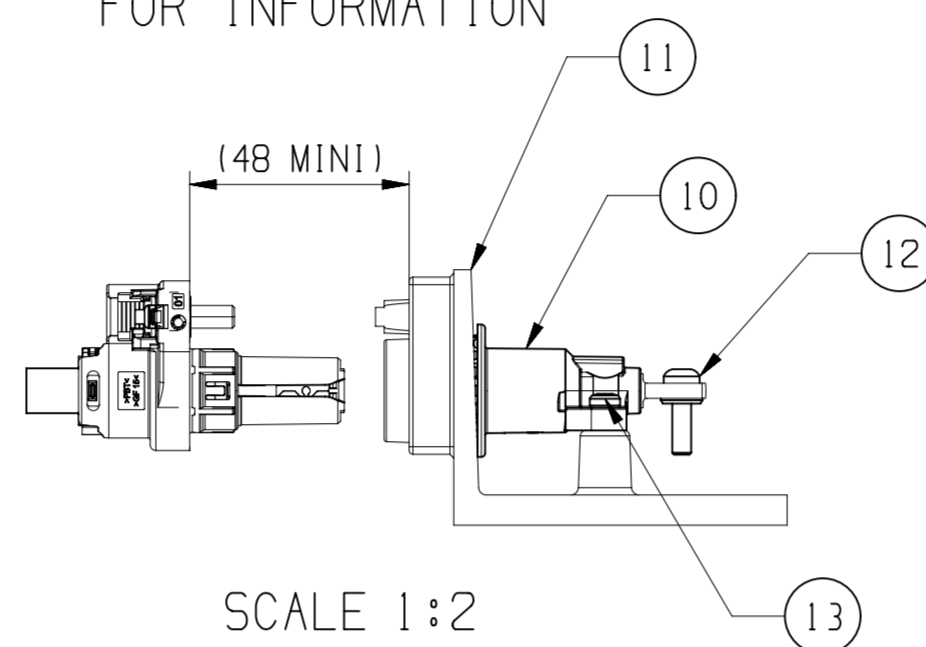
SECTION B-B



ASSOCIATED PARTS

| N° | DESIGNATION | APTIV PN | DRAWING | QUANTITY |
|----|-------------|----------|----------|----------|
| 10 | HEADER | 35098440 | 35098443 | 1 |
| 11 | INTERFACE | - | 35099339 | 1 |
| 12 | M5 SCREW | - | - | 1 |
| 13 | M4 SCREW | - | - | 1 |

FREE SPACE AREA NEEDED TO MATE AND UNMATE THE FEMALE CONNECTOR ON THE BOX FOR INFORMATION



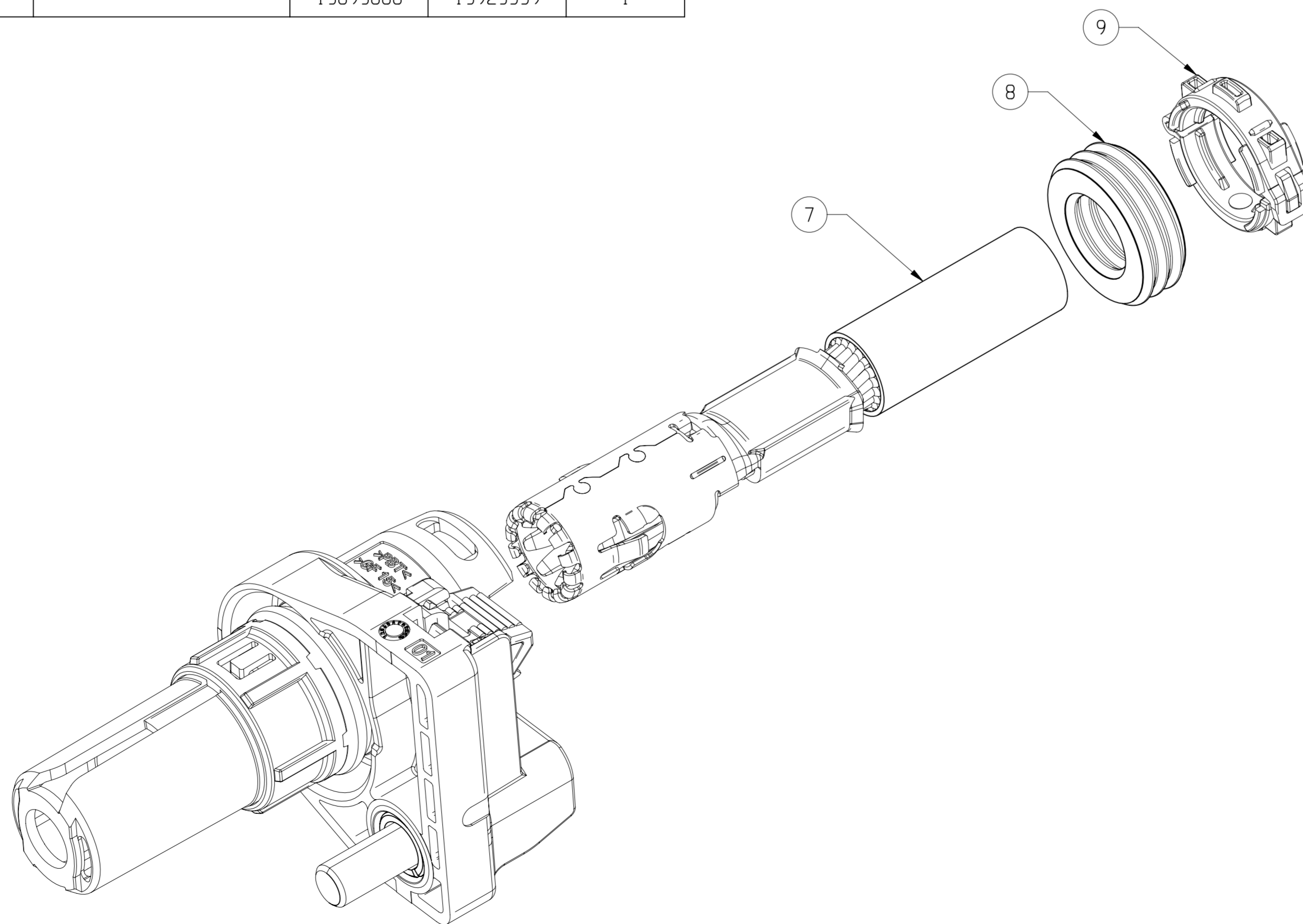
SCALE 1:2

SCALE 1:1

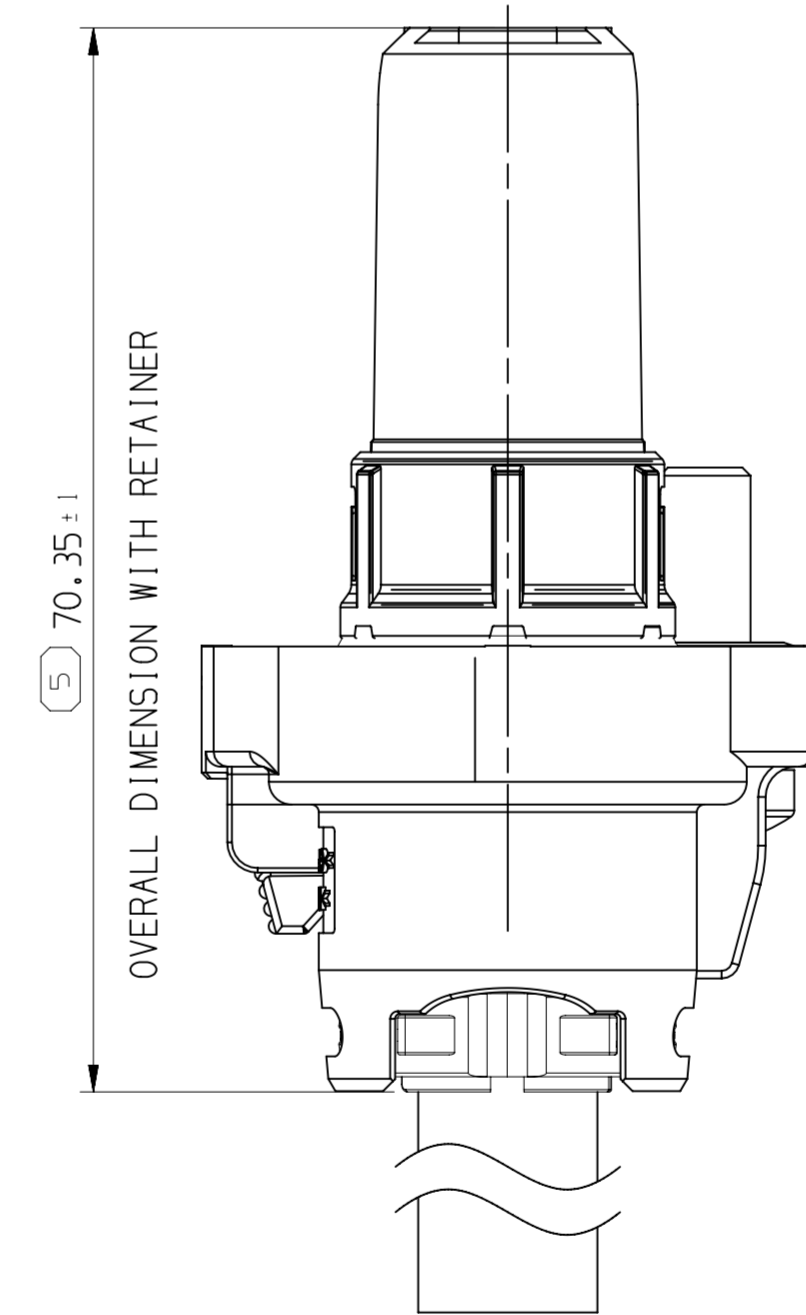
ASSOCIATED PARTS

| N° | DESIGNATION | APTIV PN | QUANTITY |
|----|------------------------|-------------------|-------------------|
| 7 | RCS800 FEMALE TERMINAL | 13893887 | 1 |
| 8 | RETAINER | 13893889 | 1 |
| 9 | SWS | 35mm ² | 50mm ² |
| | | 13893888 | 13923559 |

EQUIPPED FEMALE CONNECTOR



SCALE 2:1



SCALE 2:1

A LINE DRAWN THROUGH A PART NUMBER INDICATES THAT PHYSICAL PARTS ARE NOT AVAILABLE FOR ORDERING.

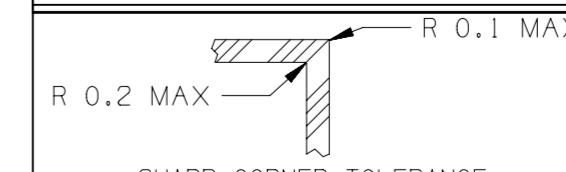
PART NUMBERS THAT DO NOT HAVE A LINE PRESENT INDICATE THAT PHYSICAL PARTS ARE AVAILABLE FOR ORDERING.

CONTACT APTIV SALES TO ASSURE AVAILABILITY OF PARTS.

LA LIGNE TRACÉE SUR LA RÉFÉRENCE PIÈCE INDIQUE QUE LA PIÈCE N'EST PAS DISPONIBLE À LA COMMANDE.

LES RÉFÉRENCES PIÈCES QUI NE SONT PAS BARRÉES INDICENT QUE CELLES-CI SONT DISPONIBLES PHYSIQUEMENT POUR ÊTRE COMMANDEES.

CONTACTER LE SERVICE COMMERCIAL DE APTIV POUR S'ASSURER DE LA DISPONIBILITÉ DES PIÈCES.



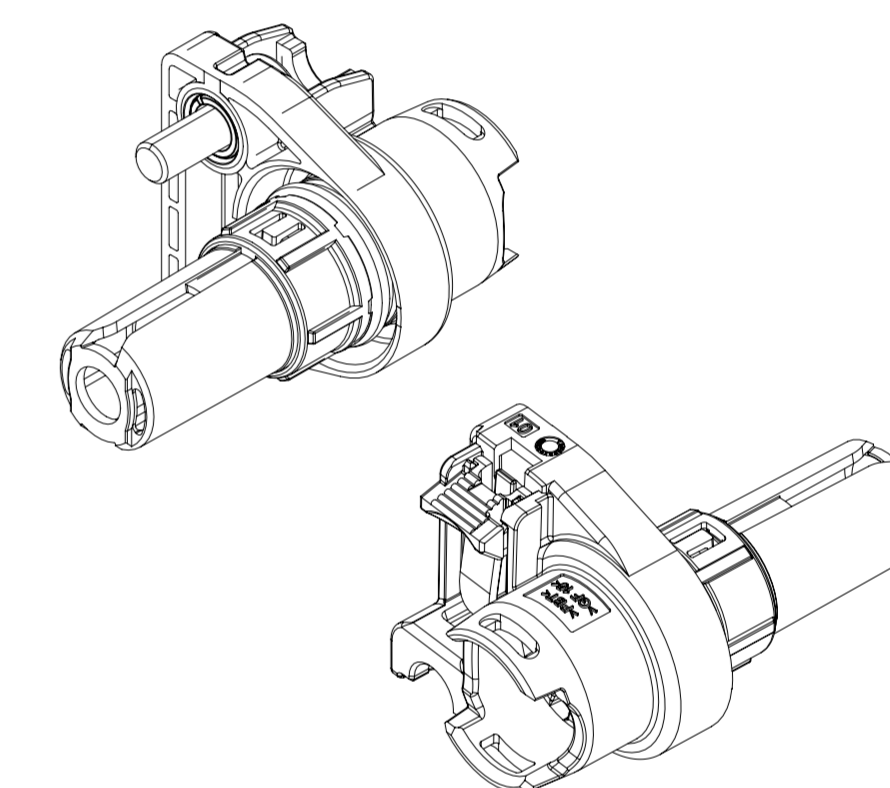
| DIM TO CHECK | DIMENSIONAL RANGE (MM) | CHART | EL | | | | | | |
|--------------------------------------|------------------------|-------|------|------|-------|-------|-------|-------|-------|
| FROM | > 0 | > 20 | > 30 | > 70 | > 100 | > 150 | > 200 | > 250 | > 300 |
| TO | > 20 | 30 | 70 | 100 | 150 | 200 | 250 | 300 | 400 |
| TOLERANCE UNLESS OTHERWISE SPECIFIED | | | | | | | | | |
| THEORETIC DIM | ±0.15 | ±0.2 | ±0.3 | ±0.4 | ±0.5 | ±0.6 | ±0.8 | ±1 | ±1.2 |
| COTES THEORIQUES | | | | | | | | | |
| ANGULAR TOLERANCE | +2° | | | | | | | | |

NOTE:

- 1- APTIV PRODUCT SPECIFICATION: FE PS 16 010
- 2- INTERFACE DRAWING: 35099339
- 3- USER'S MANUAL: PU233
- 4- FOR TORX 30 SCREW DRIVER SCREWING TORQUE 8N.m±10%

| DWG STATUS | | | | REVISION HISTORY | | | | AUTH | | DR | | APVD | |
|------------|-----|-----|---------|------------------|---------|---------|--|------|--|-------------|-------|---------|--|
| DATE | STG | REV | N/P/CHG | ZONE | INITIAL | RELEASE | | | | | | | |
| 15AP19 | R | 01 | | | | | | | | K.MANIRAJAN | E.LAM | J.FABRE | |

3D VIEW
SCALE 1:1



• APTIV •

CONNECTION SYSTEMS
Chennai, India

COPYRIGHT 2019 APTIV. ALL RIGHTS RESERVED.

THIS DRAWING IS THE PROPERTY OF APTIV AND CONTAINS APTIV CONFIDENTIAL INFORMATION. THE REPRODUCTION, DISTRIBUTION AND UTILIZATION OF THIS DOCUMENT OR ITS RELATED CAD MATH DATA, AS WELL AS COMMUNICATION OF ANY CONTENT TO OTHERS, WITHOUT EXPRESS AUTHORIZATION, IS PROHIBITED.

CE PLAN EST LE PROPRIÉTÉ DE DELPHI CORPORATION ET CONTIENT DES INFORMATIONS DELPHI CONFIDENTIELLES. LA REPRODUCTION, LA DISTRIBUTION ET L'UTILISATION DE CE DOCUMENT OU DE SES DONNÉES MATHÉMATIQUES CAO, AINSI QUE LA COMMUNICATION DE TOUT CONTENU À AUTRUI, SANS AUTORISATION EXPRESSE EST INTERDITE.

| | DATE |
|-------|--------------------|
| DR | K.MANIRAJAN 15AP19 |
| APVD1 | L.R.SURESH 15AP19 |
| APVD2 | E.LAM 15AP19 |
| APVD3 | M.VENARD 15AP19 |
| APVD4 | J.FABRE 15AP19 |
| APVD5 | |

SUBSTANCES OF CONCERN AND RECYCLED CONTENT PER APTIV 10949001 MATIERES PROSCRITES ET CONTENU RECYCLABLE SEION DELPHI 10949001

MATERIAL

DRAWING NAME 1W RCS800 DIRECT MATE FEMALE CONNECTOR 33098442-CUS03

DRAWING NUMBER 35098442

| SIZE | SCALE | FRAME NO | SHEET NO | STG | REV | N/P |
|------|-------|----------|----------|-----|-----|-----|
| A1 | 1:1 | 1 OF 1 | 1 OF 1 | R | 01 | |

| DWG TYP | CUSTOMER PART DRAWING | DISTR CODE |
|---------------------------|-----------------------|------------|
| WEIGHT (GR) | 38.5max | |
| VOLUME (CM ³) | --- | |
| ROUTING | | |

UNLESS OTHERWISE SPECIFIED

GENERAL TOLERANCES ACCORDING TO: SEE CHART

GD&T ACCORDING TO:

REFERENCE

FIRST ANGLE PROJECTION

DO NOT SCALE USE MATH DATA

X-ON Electronics

Largest Supplier of Electrical and Electronic Components

Click to view similar products for [Automotive Connectors](#) category:

Click to view products by [APTIV](#) manufacturer:

Other Similar products are found below :

[003-018-000](#) [60403001](#) [60993906-B](#) [629515004020001](#) [M902-2131](#) [M902-2161](#) [72.330.1035.1](#) [73.353.4028.0](#) [F119300-B](#) [F166900](#)
[F258300-B](#) [F358300-B](#) [F407400](#) [F444110](#) [F487000](#) [F509500B-B](#) [827153-1](#) [8N1515-32-24P](#) [9-1326729-8](#) [925474-1](#) [928905-1](#) [964562-4](#)
[968782-1](#) [GT17SA-8DS-HU](#) [98891-1012](#) [98947-1016](#) [12004475-L](#) [12010290](#) [12010309-B](#) [12015454](#) [12020219-B](#) [12020308](#) [12041318-B](#)
[12052225-L](#) [12052466](#) [12059125](#) [12064869](#) [12004327-B](#) [12010503-B](#) [12015308](#) [12015384](#) [12015909](#) [1-21030-1](#) [12041254](#) [12041318](#)
[12047946-B](#) [12047957](#) [12047957-L](#) [12059473](#) [12066261](#)