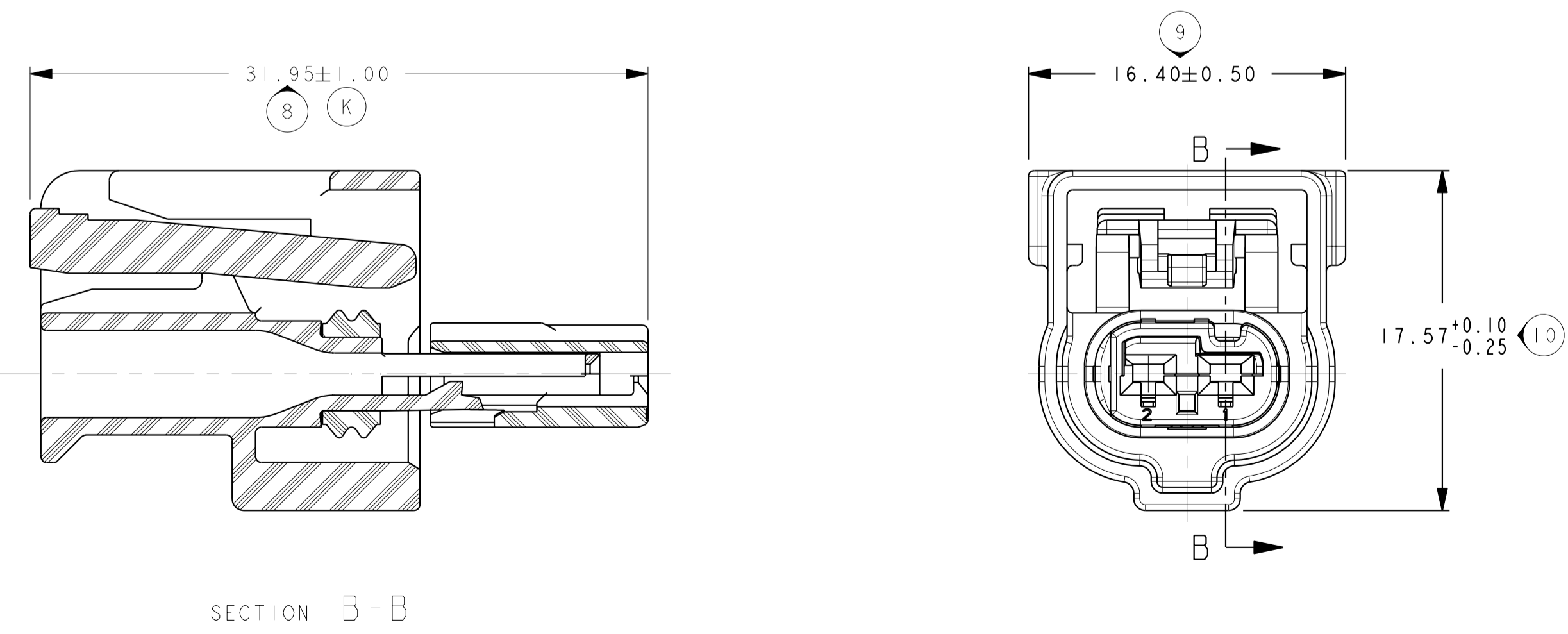
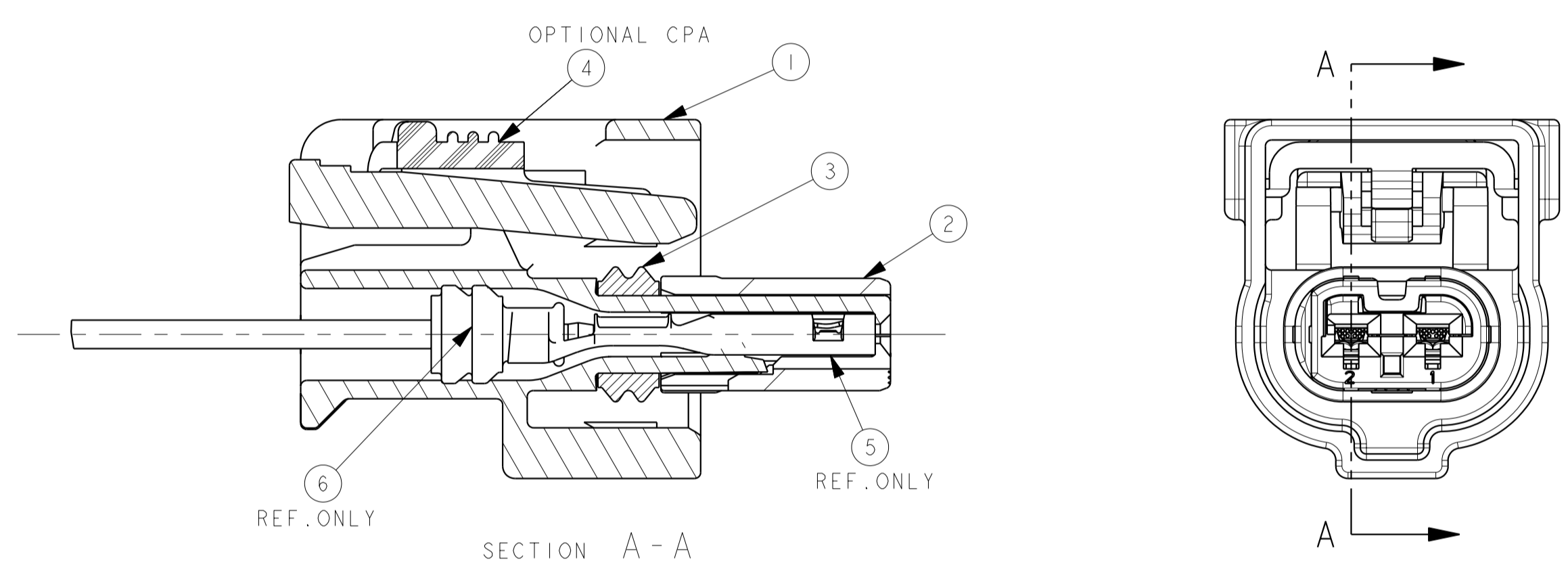
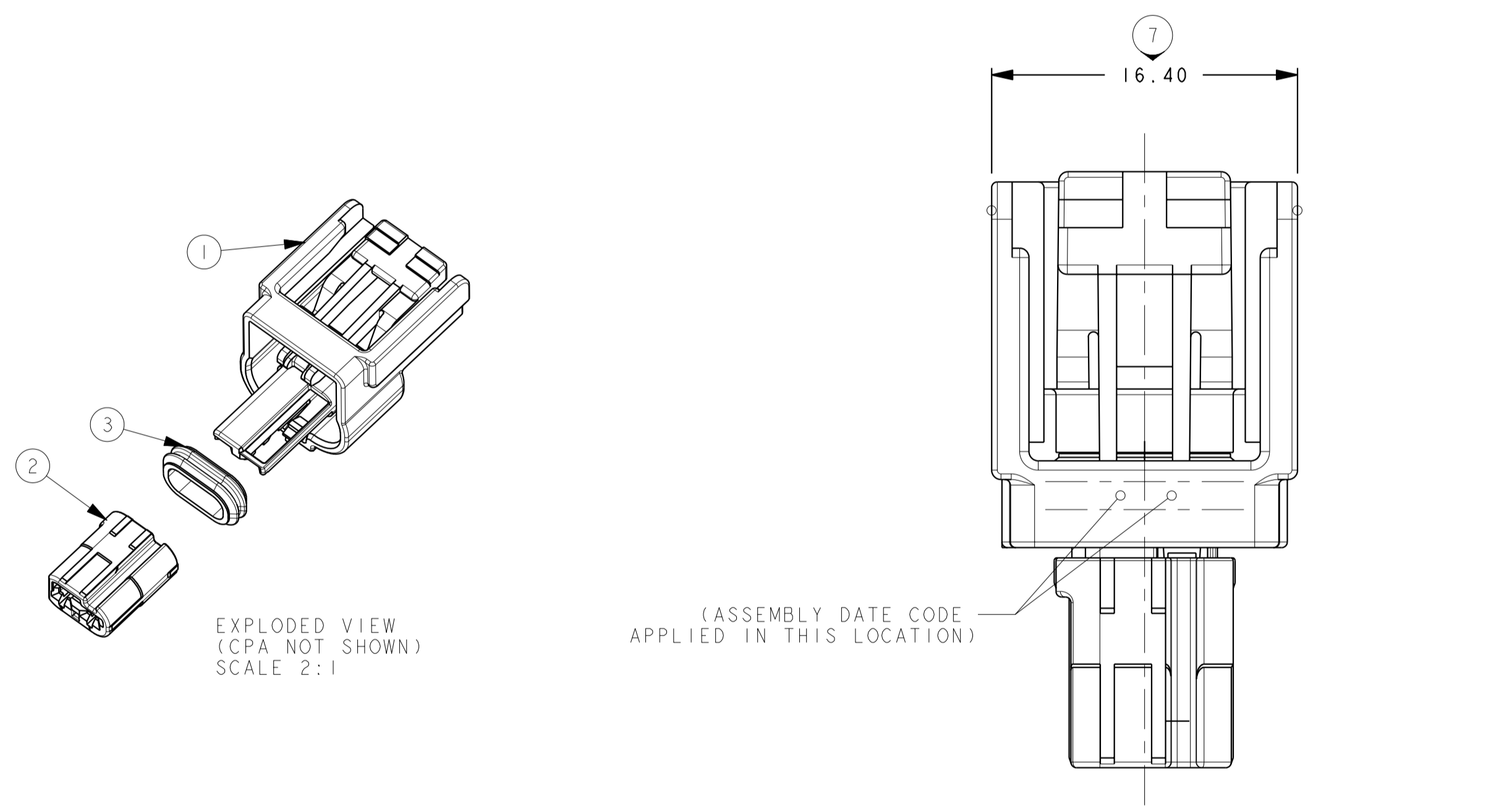
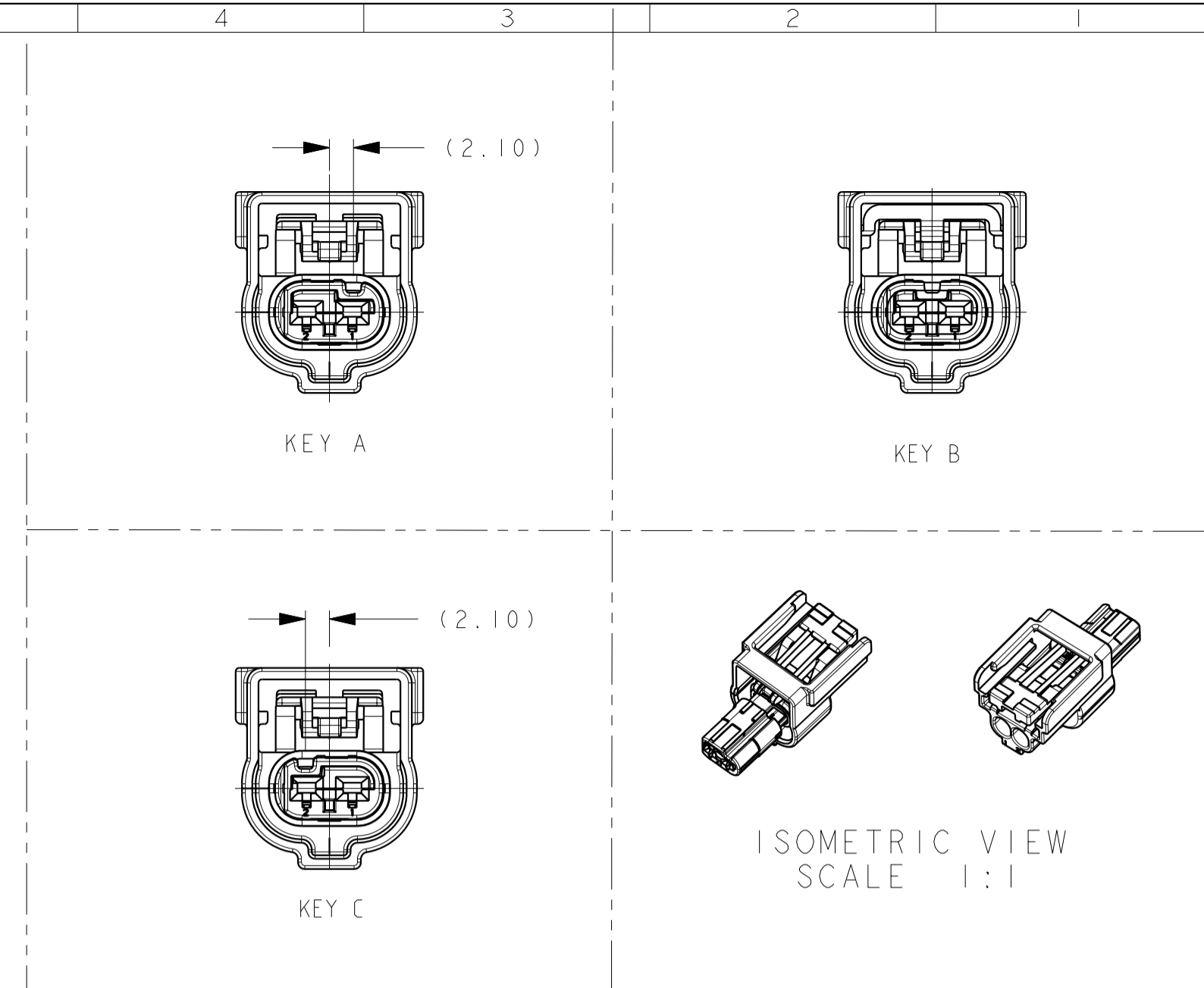


ASSEMBLY NUMBER	PCL	KEY OPTION	COLOR	COMPONENTS			
				INSULATOR (HOUSING)	TPA (BLUE)	RING SEAL (GREEN)	CPA (RED) (OPTIONAL)
				ITEM 1	ITEM 2	ITEM 3	ITEM 4
F495100		A	BLACK	S106100	S506100	C895100	PA66 GF35
F595100		B	LT GRAY	S206100	S606100		
F695100		C	BROWN	S306100	S706100		
F460400		A	BLACK	S106100	S506100		
F560400		B	LT GRAY	S206100	S606100		
F660400		C	BROWN	S306100	S706100		

APPLICABLE COMPONENTS								
ITEM NO.	ITEM DESCRIPTION	PLATING OR COLOR	FORD COMP PART NUMBER	SUPPLIER	SUPPLIER COMP PART NUMBER	GRIP CODE	WIRE SIZE	MATERIAL/SPEC NO
5	1.20 SYSTEM TERMINAL	TIN	AU5T-14474-MA	FCI	54001864	18	16/18 AWG 0.75-1.50mm ²	COPPER ALLOY / NA
	1.20 SYSTEM TERMINAL	TIN	AU5T-14474-NA	FCI	54002006	20	20 AWG 0.50mm ²	COPPER ALLOY / NA
	1.20 SYSTEM TERMINAL	TIN/SILVER	AU5T-14474-PA	FCI	54001866	18	16/18 AWG 0.75-1.50mm ²	COPPER ALLOY / NA
	1.20 SYSTEM TERMINAL	TIN/SILVER	AU5T-14474-RA	FCI	54002007	20	20 AWG 0.50mm ²	COPPER ALLOY / NA
	1.20 SYSTEM TERMINAL	SILVER	AU5T-14474-SA	FCI	F731400	18	16/18 AWG 0.75-1.50mm ²	COPPER ALLOY / NA
	1.20 SYSTEM TERMINAL	SILVER	AU5T-14474-TA	FCI	F931400	20	20 AWG 0.50mm ²	COPPER ALLOY / NA
	1.20 SYSTEM TERMINAL	GOLD	AU5T-14474-UA	FCI	54001863	18	16/18 AWG 0.75-1.50mm ²	COPPER ALLOY / NA
	1.20 SYSTEM TERMINAL	GOLD	AU5T-14474-VA	FCI	54002005	20	20 AWG 0.50mm ²	COPPER ALLOY / NA
6	1.20 SYSTEM CABLE SEAL ROUND	RUST RED	AU5T-10C930-BA	FCI (QSR)	C528010 (A-0419)	-	16/18 AWG 1.00-1.25mm ²	SILICONE
	1.20 SYSTEM CABLE SEAL ROUND	BLUE	AU5T-14603-EA	FCI (QSR)	54200391 (A-0131)	-	20 AWG 0.50-0.75mm ²	SILICONE
	1.20 SYSTEM SEAL PLUG	GREEN	AU5T-10C930-CA	FCI (QSR)	C628010 (A-0412)	-	-	SILICONE



- NOTES:
- VALIDATED TO SAE/USCAR-2 REV 5 WITH THE FOLLOWING EXCEPTION(S):
 - SECTION 5.4.5 (Misc. Comp. Engage/Disengage)
 - CPA LOCKED TO PRE-STAGE 8N-30N (FCI REQUIREMENT)
 - VALIDATED TO THE FOLLOWING TEMP., VIBRATION, AND SEALING CLASSES:
 - GMW3191 SECTION 4.28 V4 T4 (155°C) WITH GOLD OR SILVER TERMINALS
 - SAE/USCAR-2 V3 T4 (150°C) WITH GOLD OR SILVER TERMINALS
 - SAE/USCAR-2 V3 T3 (125°C) WITH TIN/SILVER TERMINALS
 - SAE/USCAR-2 V2 T3 (125°C) WITH TIN TERMINALS
 - SAE/USCAR-2 SEALING S3 T4 (150°C) (ISO16750 9K EQUIVALENT)
 - CONNECTOR MAY BE USED WITH THE FOLLOWING TERMINALS:
 - FCI APEX 1.2 TERMINALS LISTED IN THE APPLICABLE COMPONENTS CHART ON THIS DRAWING WITH WIRE SIZES DEFINED IN NOTE 4.
 - SEE FCI DRAWING C18001-1-2-CUST FOR SPECIFIC TERMINAL DETAILS AND CRIMPING REQUIREMENTS
 - PLATING OF TERMINALS AND MATING DEVICE BLADES MUST BE COMPATIBLE
 - CONNECTOR SYSTEM HAS BEEN VALIDATED TO USCAR-2 REQUIREMENTS WITH THE FOLLOWING RANGE OF WIRE SIZES AND TYPES IN CONJUNCTION WITH APPROPRIATE COMPONENTS FOUND IN THE "APPLICABLE COMPONENTS" CHART:
 - WIRE SIZES: 0.50mm² - 1.50mm² and 20AWG - 16AWG
 - OUTSIDE DIAMETER: 1.40mm MIN - 2.41mm MAX
 - TYPE/STANDARD: MIL-123-A, MS-8268, MS-9502, ESAU5T-1A348-AA, ISO 6722
 - WIRE AND INSULATION TYPE MUST BE APPROPRIATE FOR TEMPERATURE CLASS & APPLICATION ENVIRONMENT
 - CONNECTOR IS MATE COMPATIBLE WITH DEVICES WHICH CONFORM WITH THE FOLLOWING USCAR INTERFACE SPECIFICATIONS:
 - 120-S-002-1-201 (WITH EWCAP-001 TYPE 120-T BLADES)
 - 120-S-002-1-202 (WITH EWCAP-001 TYPE 120-T BLADES)
 - ANNUAL QUALITY REQUIREMENTS:
 - IT IS PERMISSIBLE TO PERFORM CONTINUOUS CONFORMANCE PER FCI SPECIFICATION #AQA-001 INSTEAD OF ANNUAL LAYOUT AND ANNUAL PV REQUIREMENTS OF ISO TS16949 AND SAE/USCAR-2 REV 5. FOR TERMINAL TO CONNECTOR AND TPA TO CONNECTOR ONLY.
 - SOURCE ID, MOLD & CAVITY ID SIGNIFIES TOOL OWNERSHIP, FOR REFERENCE
 - (K) INDICATES IN-PROCESS INSPECTION FOR MANUFACTURING DIMENSIONS OR SPECIFICATIONS.

ECN NO.	ZONE	CHANGE DESCRIPTION
11902	CHART	REVISED APPLICABLE COMPONENTS CHART
11840	CHART	REVISED APPLICABLE COMPONENTS CHART
	NOTES	NOTE #5 REVISED
11766	CHART	REVISED APPLICABLE COMPONENTS CHART
	NOTES	NOTES REVISED - CLARIFIED WIRE REQUIREMENTS
11615	CHART	REVISED APPLICABLE COMPONENTS CHART
10972	-	RELEASE FOR PRODUCTION

PROJECT SPEC.	PACKAGING SPEC.	APPLICATION SPEC.	THIS DRAWING AND ALL OTHER INFORMATION CONTAINED THEREIN IS PROPRIETARY AND THE PROPERTY OF FCI. THIS DRAWING MAY NOT BE COPIED, REPRODUCED OR DISCLOSED TO ANY THIRD PARTY WITHOUT THE EXPRESSED WRITTEN PERMISSION OF FCI. FCI April 1999
TOLERANCES	±0.1	±2*	SURFACE FINISH
COUNTERPART NO.			
DO NOT MEASURE DRAWING	TOOL NO.	ECO Loc. Code	AN
DATE	NAME	TITLE	DRAWING NUMBER
20100617	W. DAMASZKANY	2W SensoMate 12 Assembly Key A	PCC0538662
20100619	Frank HOLUB	PROJECT	STATE
20100614	Buacha BIAN	12MM USCAR INTERFACE	PART NUMBER
20100614	JOHN CAMPBELL	ECN NO.	REV.
		FILE NAME	PCC0538662
			DOCUMENT UNDER PDS CONTROL. NO MODIFICATION ALLOWED OUTSIDE

3RD ANGLE	ONE SIZE	DIMENSION IN MILLIMETERS	APPROVAL LEVEL
FCI	A1		C
			SHEET
			1
			4
			SCALE 4.00

FILE: 024_112_129_002

X-ON Electronics

Largest Supplier of Electrical and Electronic Components

Click to view similar products for [Automotive Connectors](#) category:

Click to view products by [APTIV](#) manufacturer:

Other Similar products are found below :

[003-018-000](#) [60403001](#) [60993906-B](#) [629515004020001](#) [M902-2131](#) [M902-2161](#) [72.330.1035.1](#) [73.353.4028.0](#) [F119300-B](#) [F166900](#)
[F258300-B](#) [F358300-B](#) [F407400](#) [F444110](#) [F487000](#) [F509500B-B](#) [827153-1](#) [8N1515-32-24P](#) [9-1326729-8](#) [925474-1](#) [928905-1](#) [964562-4](#)
[968782-1](#) [GT17SA-8DS-HU](#) [98891-1012](#) [98947-1016](#) [12004475-L](#) [12010290](#) [12010309-B](#) [12015454](#) [12020219-B](#) [12020308](#) [12041318-B](#)
[12052225-L](#) [12052466](#) [12059125](#) [12064869](#) [12004327-B](#) [12010503-B](#) [12015308](#) [12015384](#) [12015909](#) [1-21030-1](#) [12041254](#) [12041318](#)
[12047946-B](#) [12047957](#) [12047957-L](#) [12059473](#) [12066261](#)