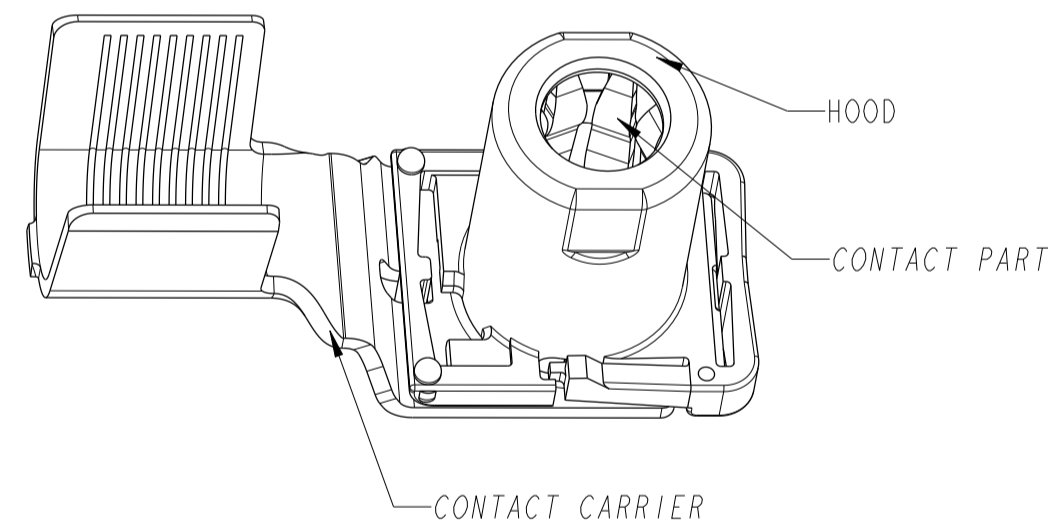
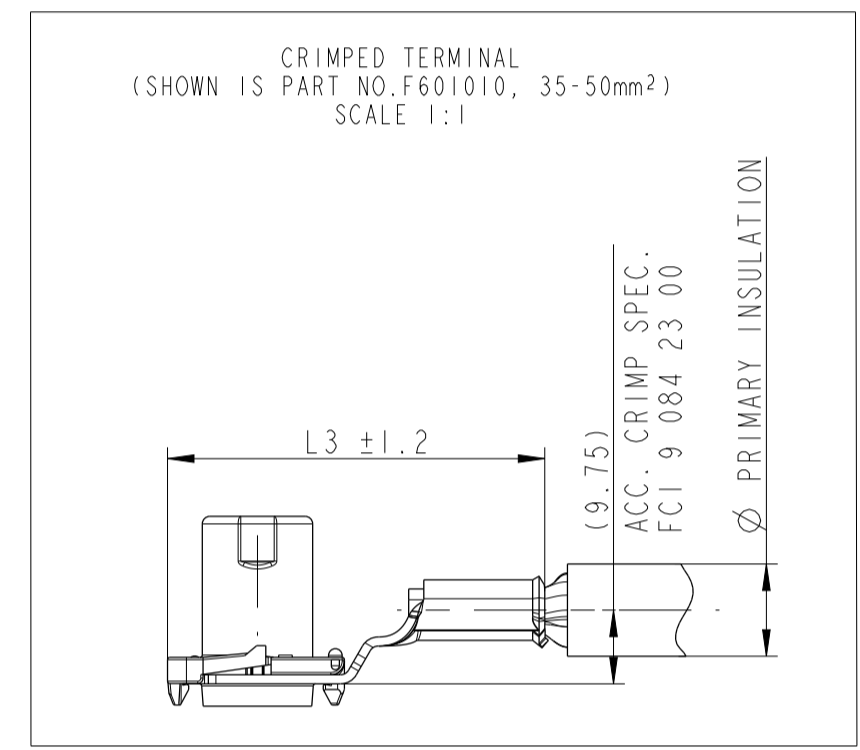
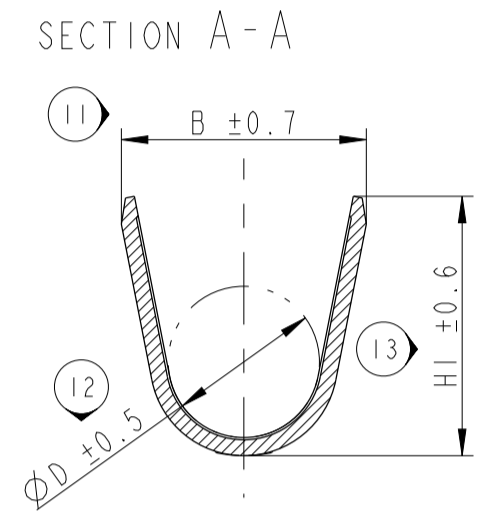
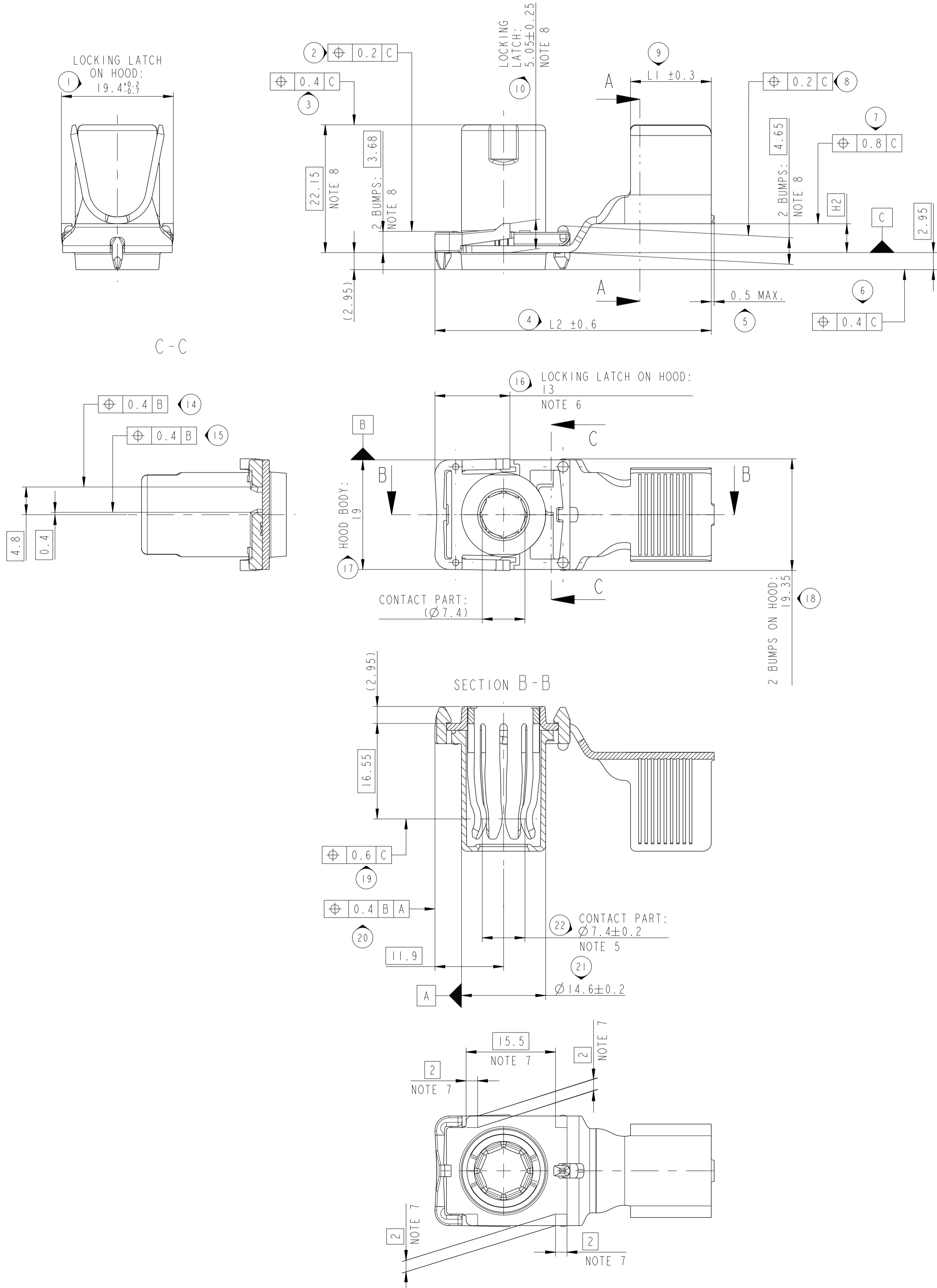


FCI PART NO.	REV.	CUSTOMER PART NO.	CRIMP SIZE (mm <sup>2</sup> )	CRIMP WIDTH B	CRIMP Ø D	CRIMP HEIGHT H1	CRIMP HEIGHT H2	CRIMP LENGTH L1	TERMINAL LENGTH L2	CRIMPED LENGTH L3	SURFACE FINISH	MATERIAL	WEIGHT	Ø PRIMARY INSULATION: ALSO SEE NOTE 9					
<del>F701010</del> SEE NOTE 1	B		10-16	12.1	Ø 6.5	12.4	6.75	12	46.9	49.9	CONTACT CARRIER: 1-3µm Sn AT FUNCTIONAL AREA	CONTACT PART: MINIMUM 1.5µm Ag PASSIVATED AT FUNCTIONAL AREA	PLASTIC HOOD: -	CONTACT CARRIER: COPPER ALLOY THICKNESS 1.2±0.03	CONTACT PART: COPPER ALLOY THICKNESS 1.2±0.03	PLASTIC HOOD: HTP-6F30	0.016 kg ±10%	10 <sup>2</sup> 16 <sup>2</sup>	PRYSMIAN 10mm <sup>2</sup> CLASS D, REF.JE03369: 5.6 MINI / 6.0 MAXI
F601010	B		35-50	16.2	Ø 10	17.15	5	14	47.9	49.9							0.018 kg ±10%	35 <sup>2</sup> 40 <sup>2</sup> 50 <sup>2</sup>	PRYSMIAN REF.P7024491: 10.3 MINI / 10.7 MAXI PRYSMIAN 40mm <sup>2</sup> CLASS D FH, REF.JE03367: 10.7 MINI / 11.1 MAXI PRYSMIAN REF.P7024525: 12.2 MINI / 12.6 MAXI

TERMINAL IN DELIVERY CONDITION  
(SHOWN IS PART NO.F601010, 35-50mm<sup>2</sup>)



- NOTE :
- PART NO. CHARACTERIZED WITH A CROSS IN THE TABLE ABOVE:  
PART NOT YET IN SERIAL PRODUCTION, ONLY ON REQUEST
  - PRODUCT TEMPERATURE RANGE : -40° to 150°
  - FCI CRIMP SPECIFICATION: 9 084 23 00
  - ( ) NO TOLERANCED DIMENSIONS GIVEN FOR INFORMATION
  - 100% DIMENSIONAL CONTROLLED
  - 100% PRESENCE CONTROLLED ON FINAL PRODUCT
  - MEASUREMENT RANGE OF BASIS [C]
  - MEASURED WITHOUT ASSEMBLY CLEARANCE BETWEEN CONTACT AND HOOD
  - ANY OTHER WIRE MUST BE VALIDATED BEFORE USE
  - NUMBERING FOR PPAP

REVISION B, 18.07.2013, TABLE REWORKED: CRIMPED LENGTH L3 FOR PN F701010 WAS 48.9											
REVISION A, 10.10.2011: INITIAL RELEASE FOR SERIAL											
ECN-NO. ÄNDER-NUMMER	POSITION POSITION	CHANGE DESCRIPTION ÄNDERUNGSBESCHREIBUNG									
PROJECT SPEC. PROJEKT-SPEC.	PACKAGING SPEC. VERPACKUNG-SPEC.	APPLICATION SPEC. ANWENDUNG-SPEC.	COPYRIGHT DELPHI CORPORATION AND/OR ITS AFFILIATES. ALL RIGHTS RESERVED. REVISED THIS DRAWING IS THE PROPERTY OF DELPHI CORPORATION AND/OR ITS AFFILIATES. NO PART OF THIS DRAWING OR INFORMATION CONTAINED HEREIN IS TO BE REPRODUCED, TRANSMITTED, OR DISTRIBUTED IN ANY FORM OR BY ANY MEANS, WITHOUT EXPRESS WRITTEN PERMISSION FROM DELPHI CORPORATION. DELPHI CORPORATION IS NOT RESPONSIBLE FOR ANY DAMAGE TO PROPERTY OR PERSONS RESULTING FROM THE USE OF THIS DRAWING.								
TOLERANCES TOLERANZEN	±0.1 / ±2*	MATERIAL: MATERIAL	SEE TABLE	SURFACE FINISH OBERFLÄCHE							
CONTRACT NO. VERTRAG-NR.		COLOR: FARB		DELPHI ELECTRICAL/ELECTRONIC ARCHITECTURE BUSINESS, GERMANY							
DO NOT REASURE DRAWING NICHT WIEDERHERSTELLEN		ECO LIB: Code SCADAPP CODE GN		DIN A1 ISO PROJECTION DARSTELLUNG IN WIRTSCHAFTS ZEICHNUNG							
DATE DATUM	NAME NAME	TITLE BEZEICHNUNG	DATE DATUM	NAME NAME	TITLE BEZEICHNUNG	DATE DATUM	NAME NAME	TITLE BEZEICHNUNG	DATE DATUM	NAME NAME	TITLE BEZEICHNUNG
2013/07/18	PIERRE MUELLER	FEMALE TERMINAL RCS890 Ø 8	2013/07/18	PIERRE MUELLER	PROJECT	2013/07/18	PIERRE MUELLER	PROJECT	2013/07/18	PIERRE MUELLER	PROJECT
RCS 890 GENERIC			DRAWING NUMBER ZEICHN.-NUMMER								
PCC0724850			PCC0724850								

## X-ON Electronics

Largest Supplier of Electrical and Electronic Components

*Click to view similar products for [Automotive Connectors](#) category:*

*Click to view products by [APTIV](#) manufacturer:*

Other Similar products are found below :

[003-018-000](#) [60403001](#) [60993906-B](#) [629515004020001](#) [M902-2131](#) [M902-2161](#) [72.330.1035.1](#) [73.353.4028.0](#) [F119300-B](#) [F166900](#)  
[F258300-B](#) [F358300-B](#) [F407400](#) [F444110](#) [F487000](#) [F509500B-B](#) [827153-1](#) [8N1515-32-24P](#) [9-1326729-8](#) [925474-1](#) [928905-1](#) [964562-4](#)  
[968782-1](#) [GT17SA-8DS-HU](#) [98891-1012](#) [98947-1016](#) [12004475-L](#) [12010290](#) [12010309-B](#) [12015454](#) [12020219-B](#) [12020308](#) [12041318-B](#)  
[12052225-L](#) [12052466](#) [12059125](#) [12064869](#) [12004327-B](#) [12010503-B](#) [12015308](#) [12015384](#) [12015909](#) [1-21030-1](#) [12041254](#) [12041318](#)  
[12047946-B](#) [12047957](#) [12047957-L](#) [12059473](#) [12066261](#)