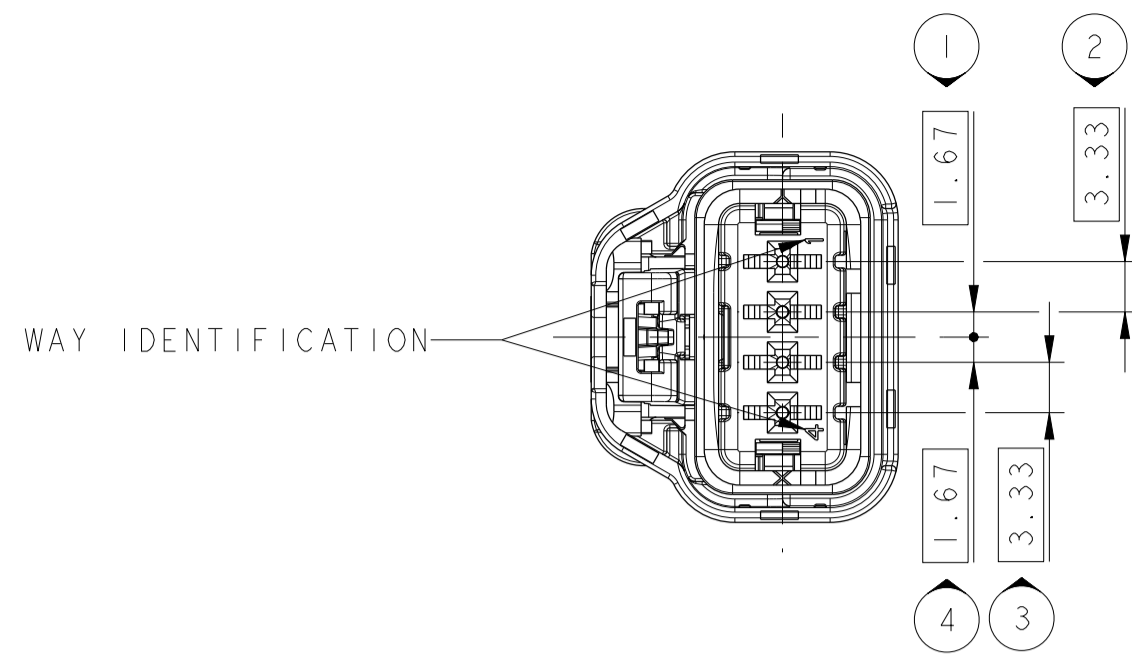
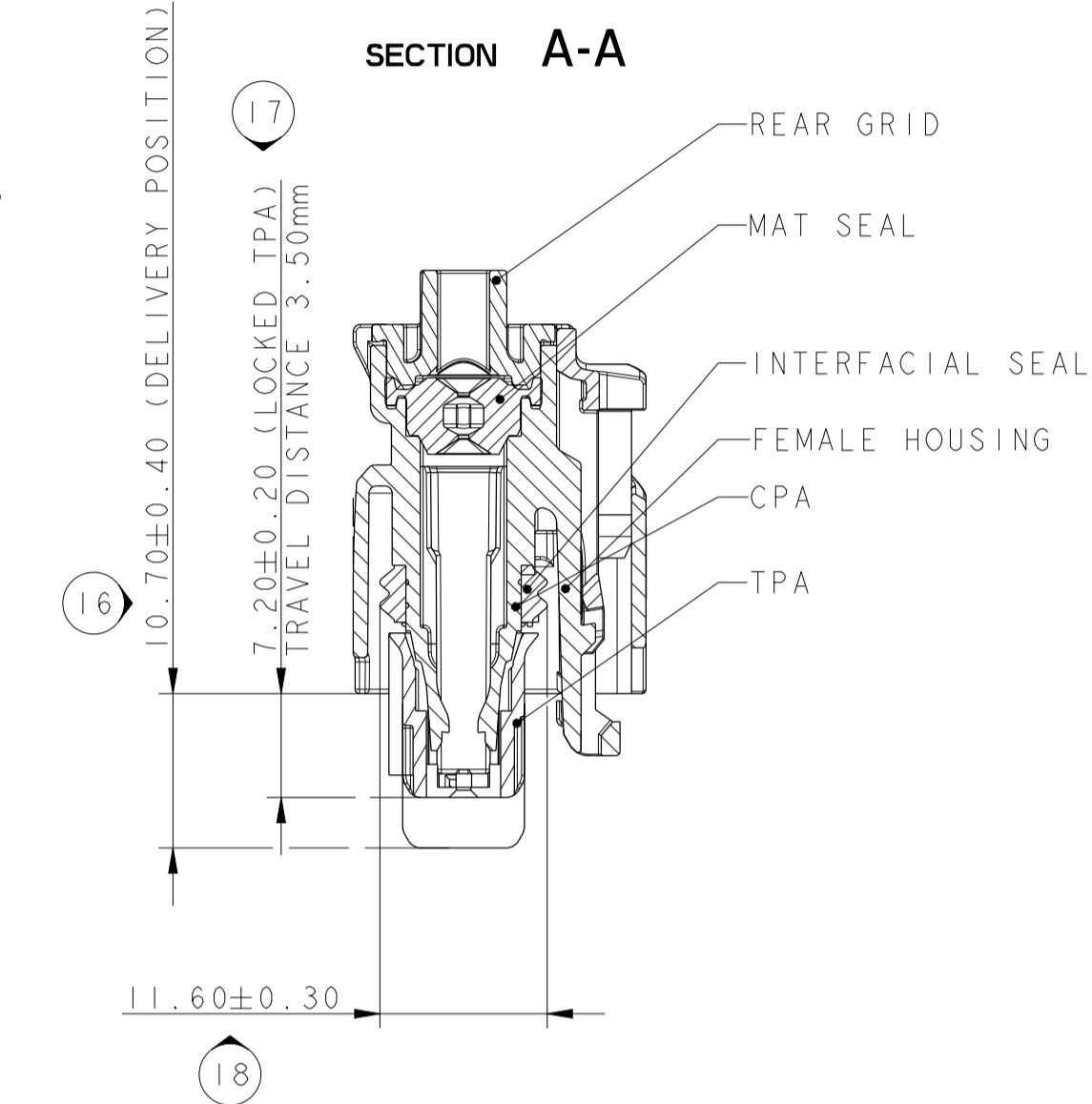
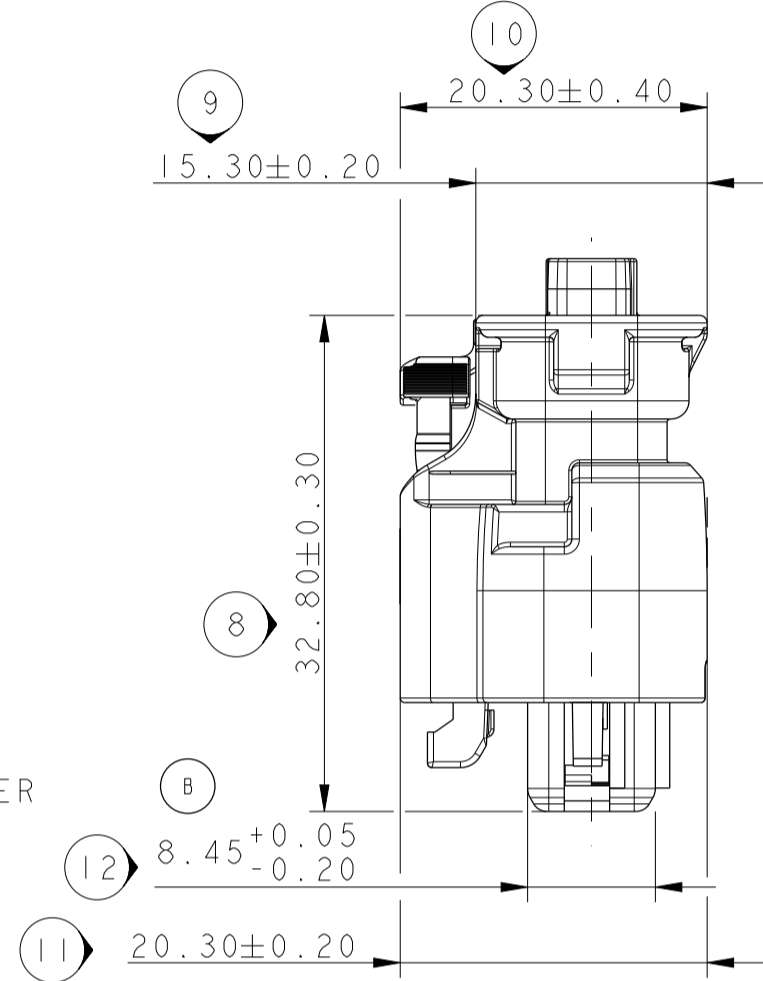
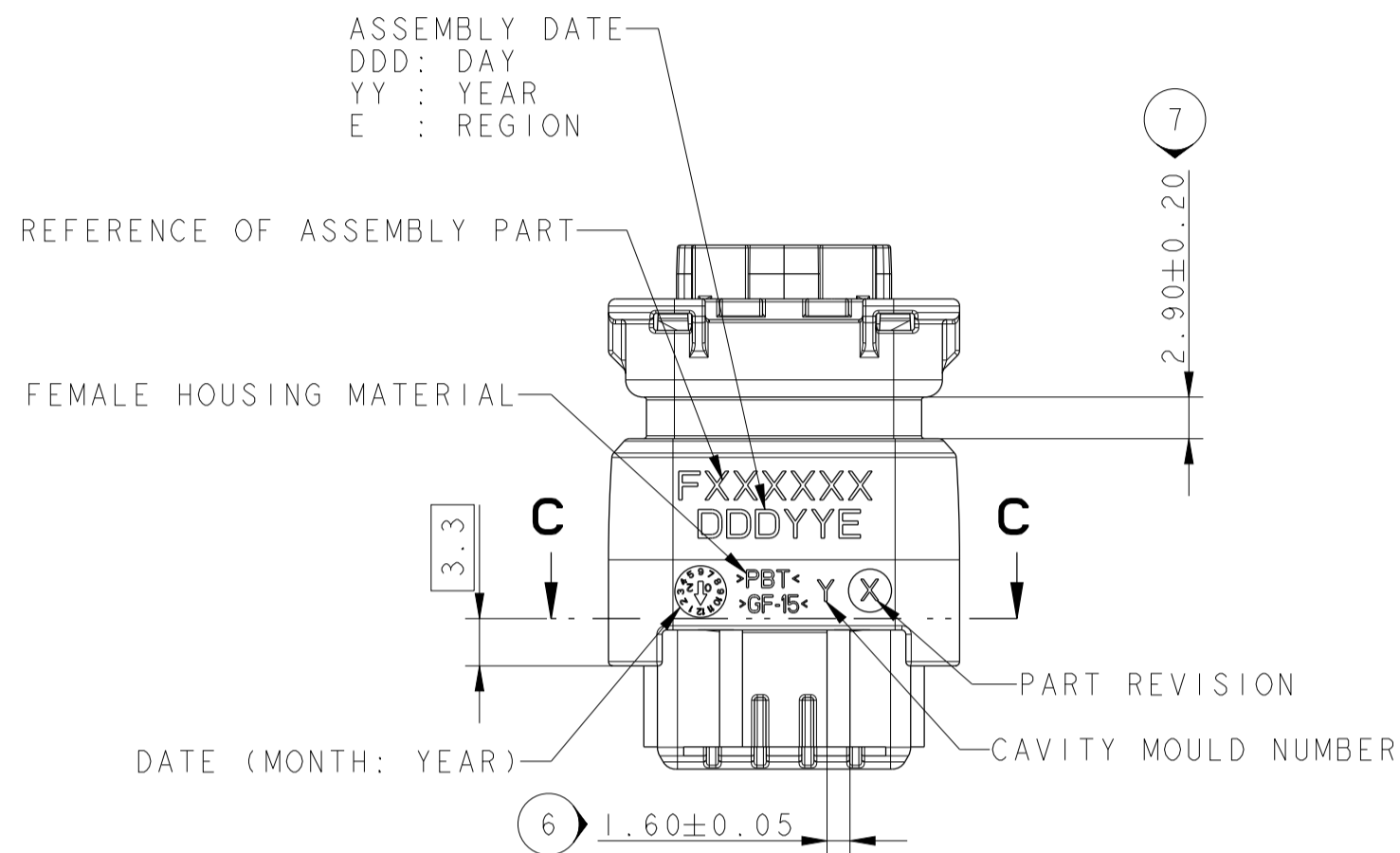
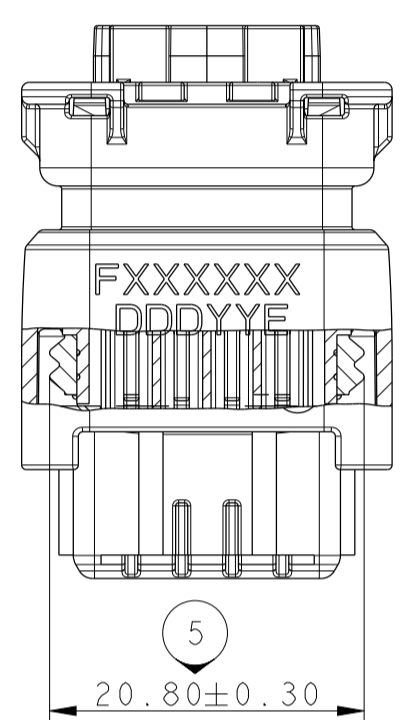


NOTE	SPECIFICATIONS
1	USER'S MANUAL MVL'S REFERENCE: PUI64 - ASSOCIATED PRODUCTS (CONTACT, PLUG, ...) ARE DEFINED IN THE USER'S MANUAL
2	WIRE INSULATION DIAMETER :MINI=1.25 :MAXI=2.80
3	DELIVERED CONNECTOR WEIGHT : 8.5g (B)
4	FEMALE/MALE CONNECTOR MATING FORCE F 75 N
5	COMPATIBLE WITH INTERFACE DRAWING 21IFT0289 Rev. C

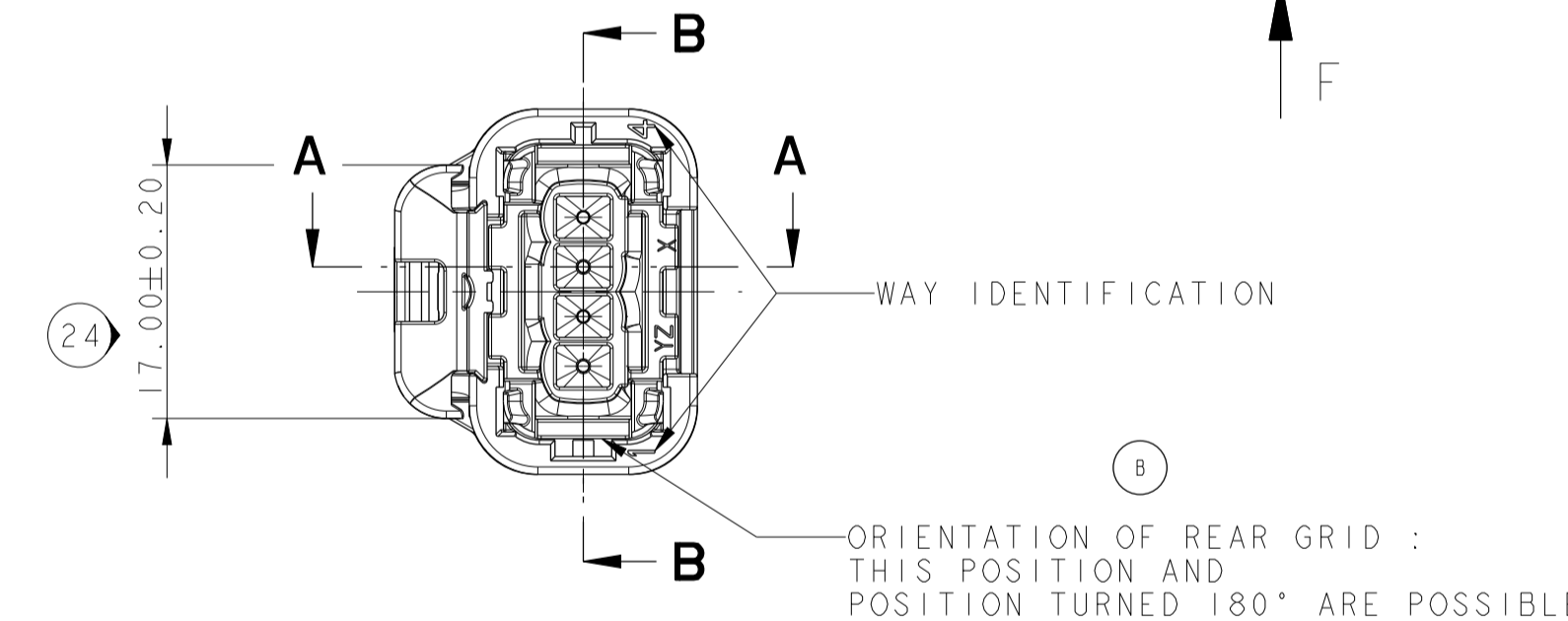
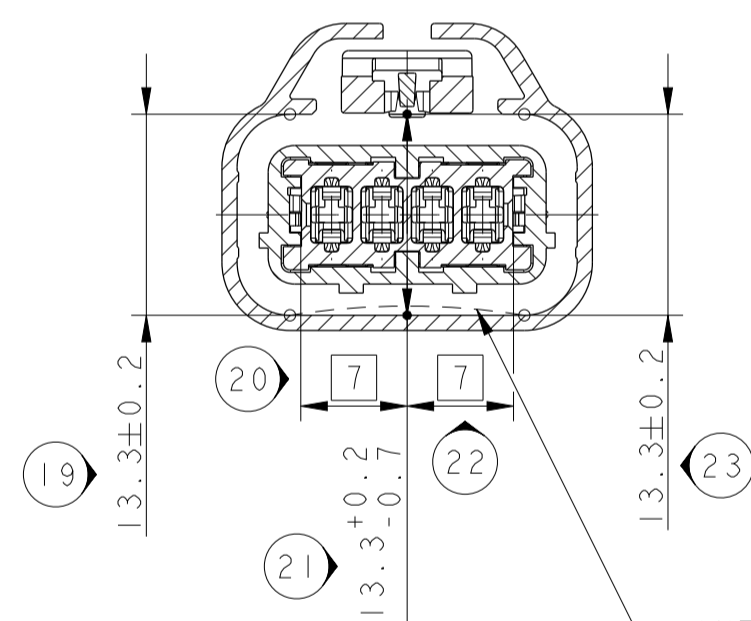
REAR GRID	S383700	33512021	PBT GF15	BLACK
FEMALE HOUSING	S563700	33511994	PBT GF15	BLACK
TPA	S004700	33511997	PBT GF15	BLACK
	S993700	33511998		BLUE
	S893700	33511999		GREY
	S104700	33512000		RED
	S204700	33512001		PURPLE
CPA	S683700	33512015	PBT GF15	ORANGE
MAT SEAL	S293700	33501744	SILICONE	GREY
INTERFACIAL SEAL	S393700	33501732	SILICONE	BLUE
DESCRIPTION	MVL'S SERIAL REF.	DELPHI'S SERIAL REF. (B)	MATERIAL	COLOUR



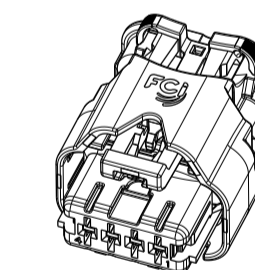
SECTION LOCAL B-B



SECTION C-C



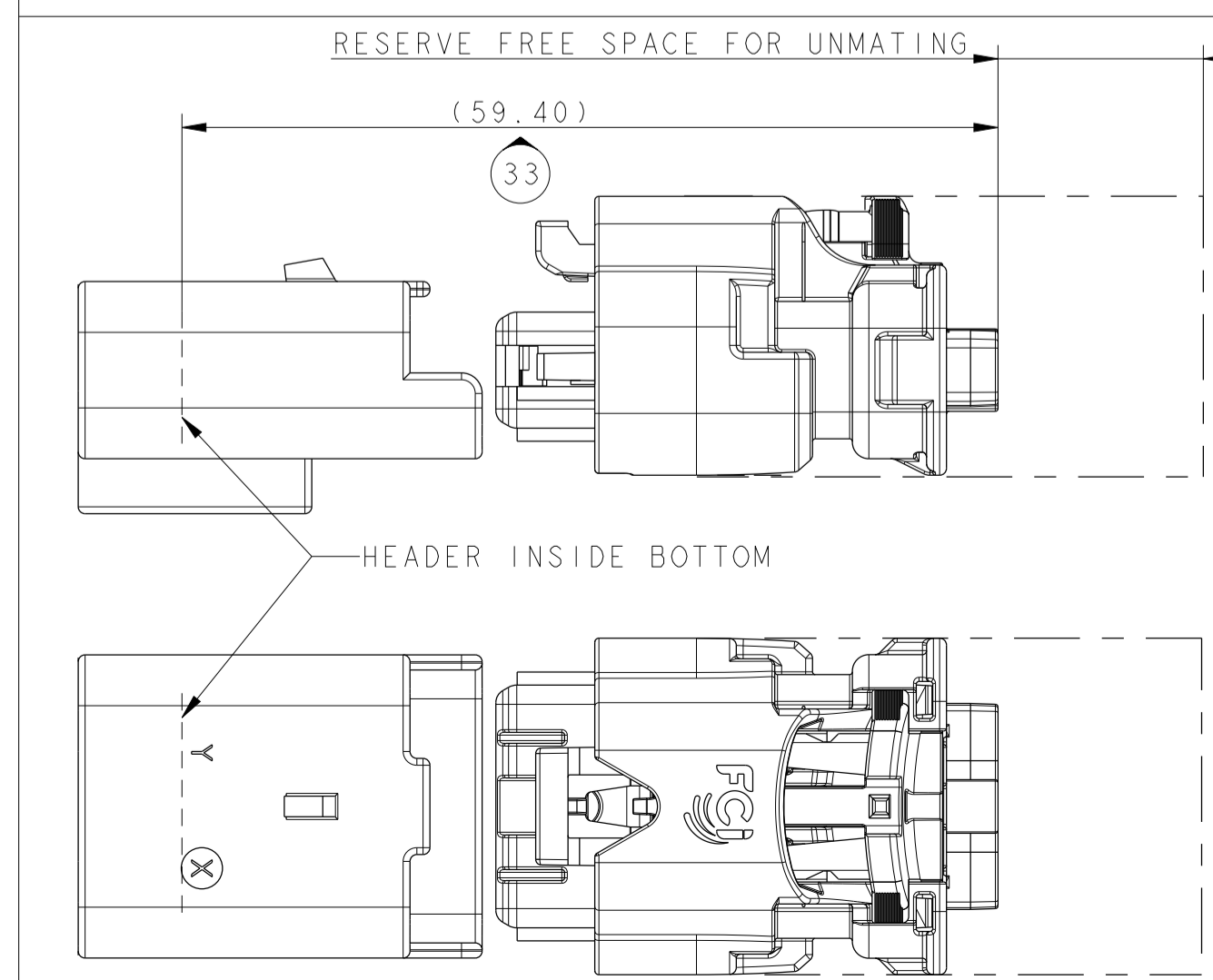
3D VIEW



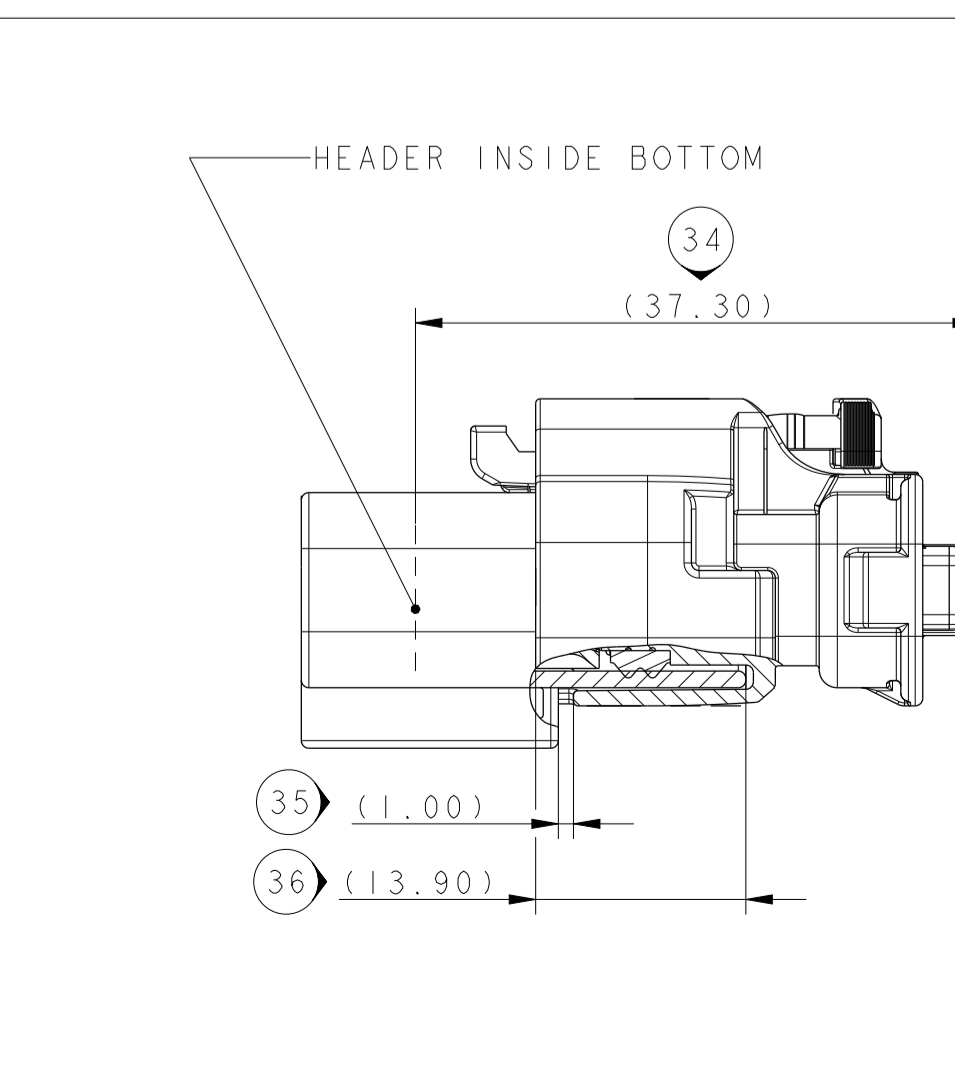
SCALE 1:1
DRAWN BLACK CODING

VIEW F TOLERANCES ±0.05 SCALE 1:1	VIEW F TOLERANCES ±0.05 SCALE 1:1	VIEW F TOLERANCES ±0.05 SCALE 1:1	COLOUR CODING	PART NUMBER	PART REVISION	MVL
(31) 4.25 (32) 5.75			RED coding	F923700	A	
			PURPLE coding	F033700	A	
				13948561	01	
				33511728	01	
(25) 0.50 (26) 7.00	(27) 5.50 (28) 2.00	(29) 3.00 (30) 4.50	GREY coding	F823700	A	
			BLUE coding	F723700	A	
			BLACK coding	F623700	A	
				13966699	01	
				13893672	01	
				13876521	01	

OVERALL DIMENSION TO BE USED FOR MATING/UNMATING



OVERALL DIMENSION MATTED ON HEADER SEE NOTE 5



FOR INFORMATION ONLY

FOR INFORMATION ONLY

ECR-13-363	M 15 UPDATED WEIGHT OF CONNECTOR G 11 DIMENSION 8.45±0.05 BECAME 8.45 +0.05/-0.2 LM 6-7 DELPHI REFERENCE ADDED IN THE TABLE E 8-9 NOTE ADDED FOR REAR GRID KEYS OF POLARIZATION OF REAR GRID ARE SUPPRESSED
ECR-NO. / POSITION	CHANGE DESCRIPTION / MODIFICATION
PROJECT SPEC. / SPECIF. PRODUCT	PACKAGING SPEC. / SPECIF. PACKAGING
APPLICATION SPEC. / SPECIF. APPLICATION	COPYRIGHT DELPHI CORPORATION AND/OR ITS AFFILIATES. ALL RIGHTS RESERVED. REVISED THIS DRAWING IS THE PROPERTY OF DELPHI CORPORATION AND CONTAINS DELPHI CONFIDENTIAL INFORMATION. THE REPRODUCTION, DISTRIBUTION AND RELEASE OF THIS DOCUMENT OR ITS CONTENTS WITHOUT DELPHI'S WRITTEN PERMISSION IS PROHIBITED. LE DOCUMENT ET SES CONTENU SONT PROPRIÉTÉS DÉLPHI. LA RÉPLICATION, LA DISTRIBUTION ET LA DIVULGATION DE CE DOCUMENT SANS LAutorisation DÉLPHI EST INTERDITE.
TOLERANCES	±0.1 ±0.2
CONTRIBUTOR N° / CONTRIBUTEUR N°	DELPHI PACKARD ELECTRICAL/ELECTRONIC ARCHITECTURE / DELPHI PACKARD ELECTRICAL/ELECTRONIC ARCHITECTURE
DATE	2018/02/09
DESIGNATION	4-WAY FEMALE CONNECTOR
DRAWING NUMBER	PCC0816800
STATE	STATUT
PART NUMBER	REF. ARTICLE
REV.	IND.
SCALE	2:1

X-ON Electronics

Largest Supplier of Electrical and Electronic Components

Click to view similar products for [Automotive Connectors](#) category:

Click to view products by [APTIV](#) manufacturer:

Other Similar products are found below :

[003-018-000](#) [60403001](#) [60993906-B](#) [629515004020001](#) [M902-2131](#) [M902-2161](#) [72.330.1035.1](#) [73.353.4028.0](#) [F119300-B](#) [F166900](#)
[F258300-B](#) [F358300-B](#) [F407400](#) [F444110](#) [F487000](#) [F509500B-B](#) [827153-1](#) [8N1515-32-24P](#) [9-1326729-8](#) [925474-1](#) [928905-1](#) [964562-4](#)
[968782-1](#) [GT17SA-8DS-HU](#) [98891-1012](#) [98947-1016](#) [12004475-L](#) [12010290](#) [12010309-B](#) [12015454](#) [12020219-B](#) [12020308](#) [12041318-B](#)
[12052225-L](#) [12052466](#) [12059125](#) [12064869](#) [12004327-B](#) [12010503-B](#) [12015308](#) [12015384](#) [12015909](#) [1-21030-1](#) [12041254](#) [12041318](#)
[12047946-B](#) [12047957](#) [12047957-L](#) [12059473](#) [12066261](#)