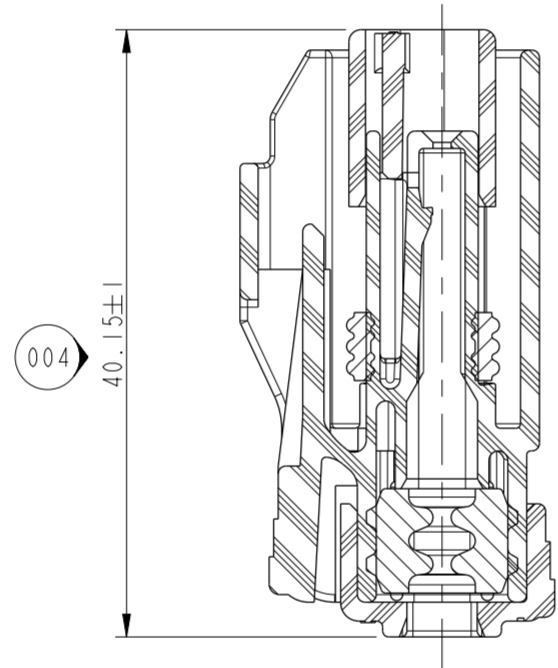
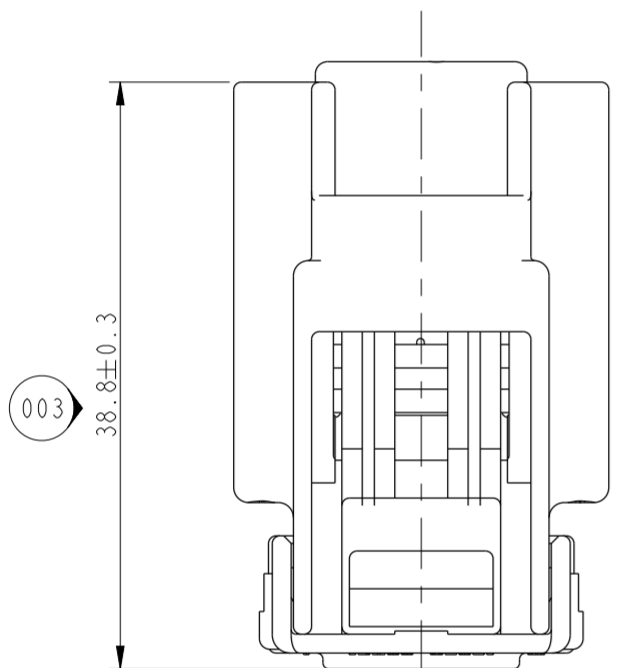
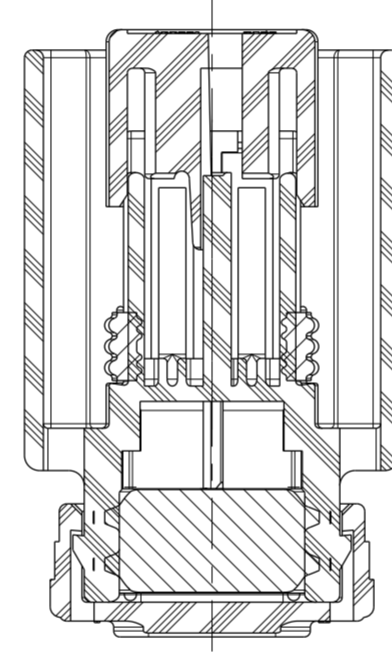


ISOMETRIC VIEW SCALE 1:1

ACTUAL SIZE VIEWS

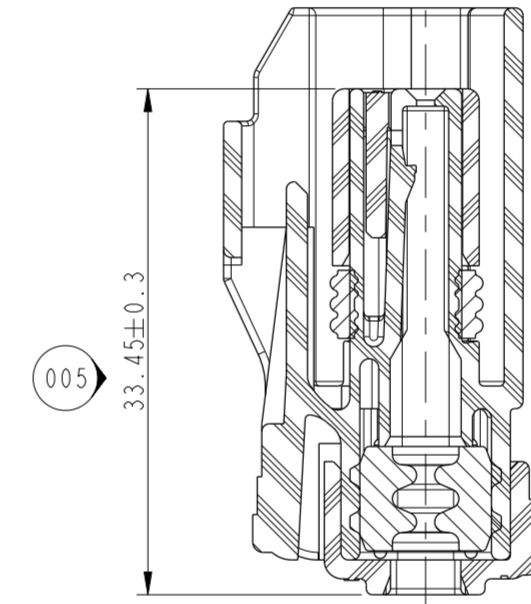


SECTION A-A

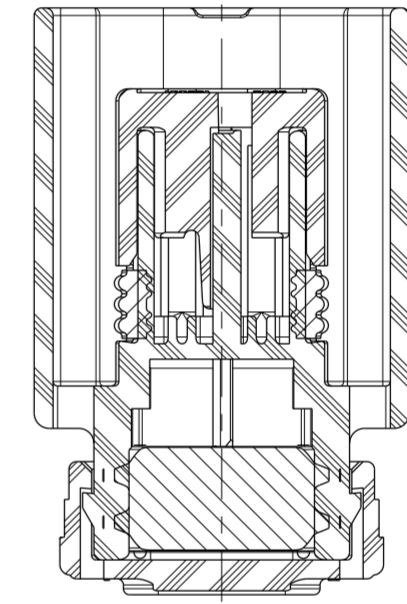


SECTION B-B

T.P.A IN PRE-LOCK POSITION

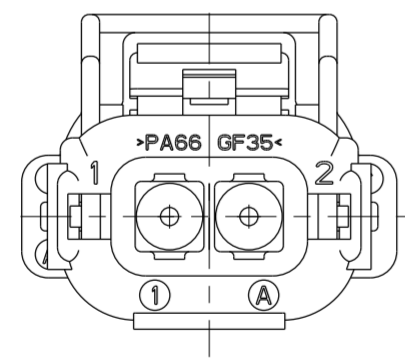


SECTION A-A



SECTION B-B

T.P.A IN FINAL POSITION



- NOTES:
- 1) TOLERANCE ON: DIN ISO 2768(M)
 - 2) MAXIMUM TEMPERATURE CLASS: CLASS 111 (125°C)
 - 3) TEST METHOD PER GMW 3191 Draft.4V
 - 4) ALLOWED WIRE SIZE RANGE: 20 - 14 AWG WIRES (0.5mm² ~ 2.0mm²)
 - 5) CONNECTOR MAY BE USED WITH THE FOLLOWING TERMINALS: FCI APEX 280 WITH WIRE SIZES DEFINED IN NOTE 4;
 - 6) ANNUAL QUALITY REQUIREMENTS: IT IS PERMISSIBLE TO PERFORM CONTINUOUS CONFORMANCE PER FCI SPECIFICATION.

F831110	D	NATURAL	S531110	S111110	S211110	54200237 (4687975)	54200239
F731110	C	DK GREY	S431110				
F631110	B	LT GREY	S331110				
F640110	A	BLACK	S011110				
ASSEMBLY NUMBER	KEY OPTION	HOUSING COLOR	PA66 GF35%	PA66 GF35% ROYAL BLUE	PA66 GF35% BLACK	SILICONE RUBBER RED	SILICONE RUBBER LIGHT BLUE
			ITEM 1 HOUSING	ITEM 2 FRONT TPA	ITEM 3 RETAINER	ITEM 4 INTERFACE SEAL	ITEM 5 GROMMET SEAL

ASSOCIATED PARTS				
FEMALE TERMINALS	PART NUMBER	WIRE SIZE RANGE	FEMALE SIZE	TYPE
APEX 2.8 FEMALE TERMINAL	54001800	18 ~ 20 AWG (0.5mm ² ~0.85mm ²)	2.8mm x 0.8mm	TIN
	54001400	14 ~ 16 AWG (1.0mm ² ~2.0mm ²)	2.8mm X 0.8	TIN

PD11-136		G10 CHANGE WIRE RANGE	
ECN-NO. ECO 번호	POSITION 위치	CHANGE DESCRIPTION 변경 사항	
PRODUCT SPEC. 제품 규격	PACKAGING SPEC. 포장 규격	APPLICATION SPEC. 사용 규격	THIS DRAWING AND ALL OTHER INFORMATION CONTAINED THEREIN IS PROPRIETARY AND THE PROPERTY OF FCI. THIS DRAWING MAY NOT BE COPIED, REPRODUCED OR DISCLOSED TO ANY THIRD PARTY WITHOUT THE EXPRESSED WRITTEN PERMISSION OF FCI. 이 도면과 여기에 포함된 모든 기타 정보는 FCI의 소유이며 재산이다. 이 도면은 FCI의 표시된 서면 허가 없이 복사, 편집되거나 어떤 제 3자에게 공개되지 않아야 한다. © FCI April 1999
TOLERANCES 공차	ISO 2768(M)	MATERIAL : 재질	SEE TABLE
COUNTERPART No. 위대용 품번	-	COLOUR : 색상	SEE TABLE
DO NOT MEASURE DRAWING 도면을 측정하지 마십시오	-	TOOL NO. 공정 번호	ECO Loc. Code ECO 위치코드 KN
CREATED BY 작성	20110803 Ashok RAJU	TITLE 제명 FEMALE CONN ASSEMBLY	
MODIFIED BY 수정	20110830 Jae-Yup JUNG	PROJECT 프로젝트명 APEX 280 2WAY FEMALE CONNECTOR	
CHECKED BY 검열	20110830 JooHyun PARK	DOCUMENT UNDER PDS CONTROL PDS에 의해 관리되는 문서임. NO MODIFICATION ALLOWED OUTSIDE 외부에서 수정은 허용되지 않음.	
APPROVED BY 승인	20110830 MinYoung LEE	ESR NO. ESR 번호	AP-110271 특정 번호
FILE NAME 파일명	PCC0750973	DRAWING NUMBER 도면 번호 PCC0750973	
		REV. 개정 D	
		APPROVAL LEVEL 승인 수준 A2	
		SHEET 시트 1 of 1	
		SCALE 척도 2:1	

X-ON Electronics

Largest Supplier of Electrical and Electronic Components

Click to view similar products for [Automotive Connectors](#) category:

Click to view products by [APTIV](#) manufacturer:

Other Similar products are found below :

[003-018-000](#) [60403001](#) [60993906-B](#) [629515004020001](#) [M902-2131](#) [M902-2161](#) [72.330.1035.1](#) [73.353.4028.0](#) [F119300-B](#) [F166900](#)
[F258300-B](#) [F358300-B](#) [F407400](#) [F444110](#) [F487000](#) [F509500B-B](#) [827153-1](#) [8N1515-32-24P](#) [9-1326729-8](#) [925474-1](#) [928905-1](#) [964562-4](#)
[968782-1](#) [GT17SA-8DS-HU](#) [98891-1012](#) [98947-1016](#) [12004475-L](#) [12010290](#) [12010309-B](#) [12015454](#) [12020219-B](#) [12020308](#) [12041318-B](#)
[12052225-L](#) [12052466](#) [12059125](#) [12064869](#) [12004327-B](#) [12010503-B](#) [12015308](#) [12015384](#) [12015909](#) [1-21030-1](#) [12041254](#) [12041318](#)
[12047946-B](#) [12047957](#) [12047957-L](#) [12059473](#) [12066261](#)