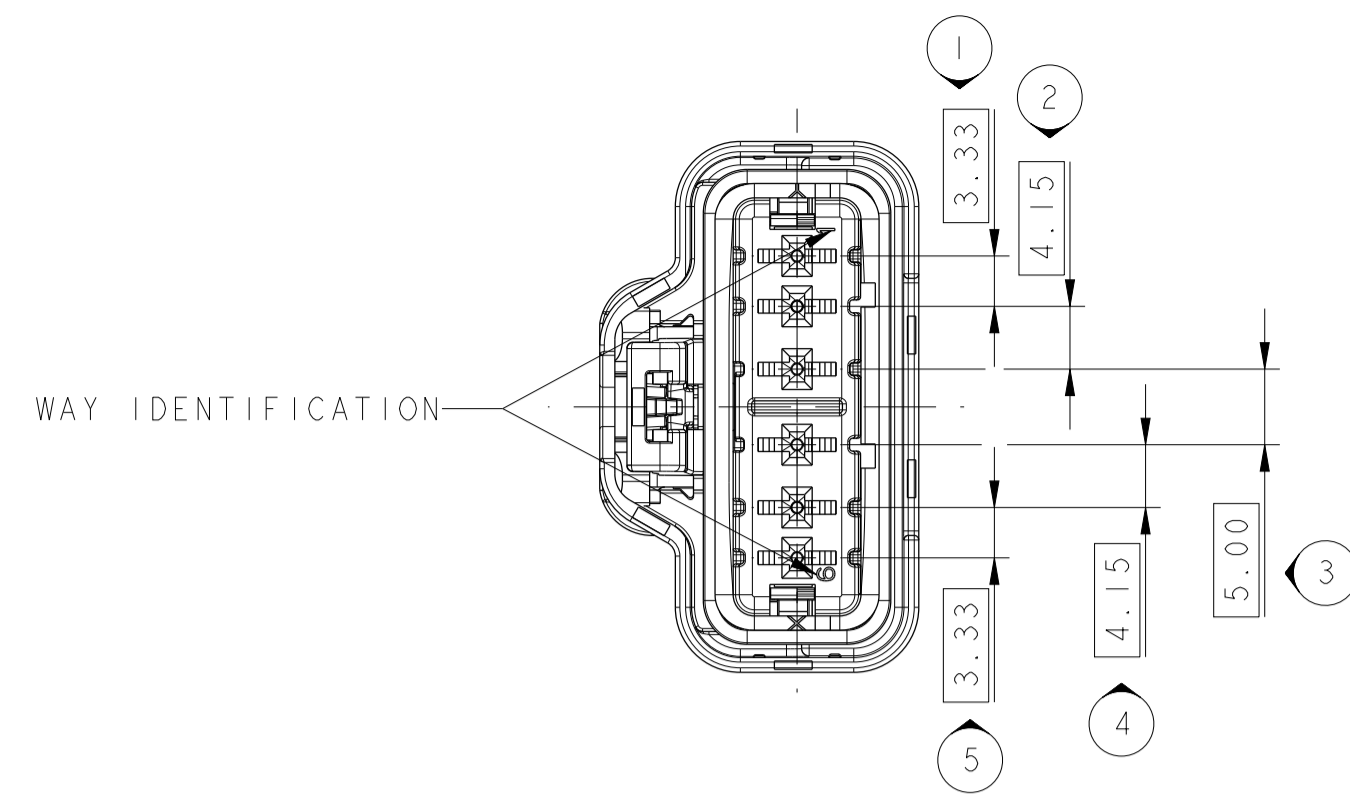
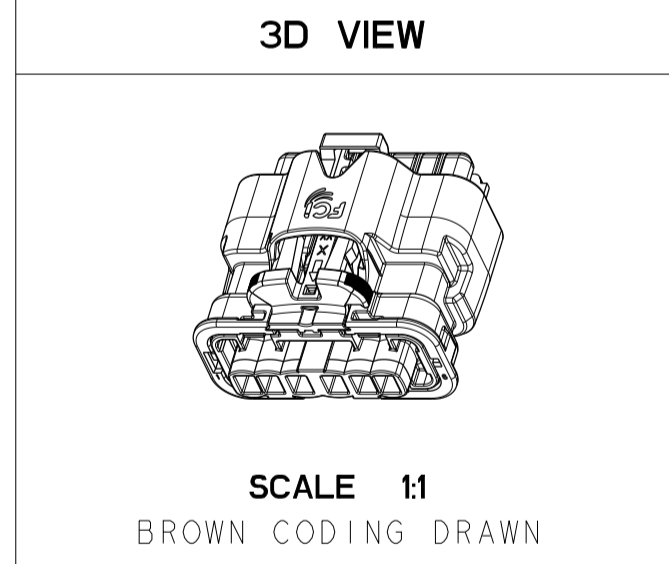
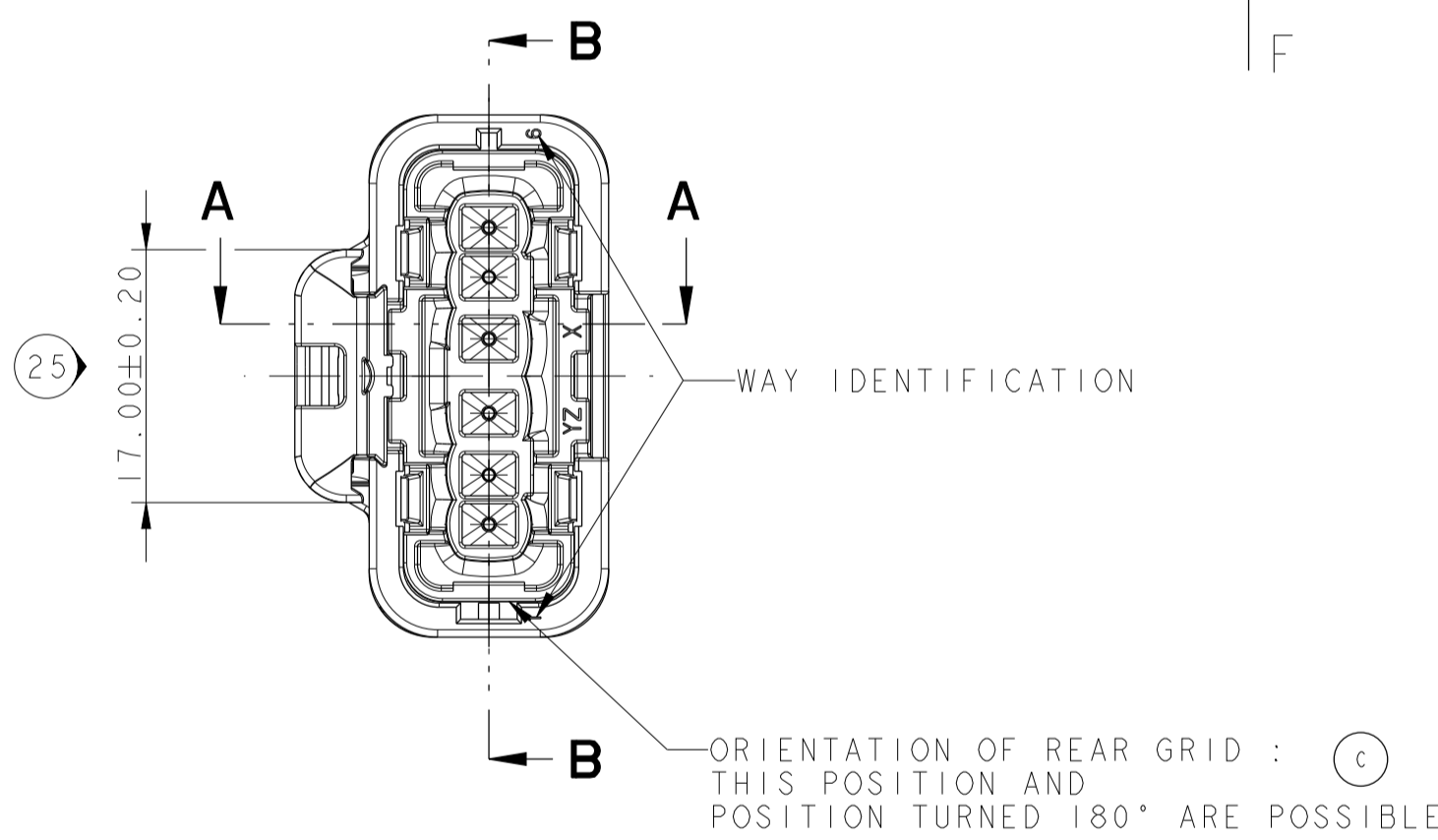
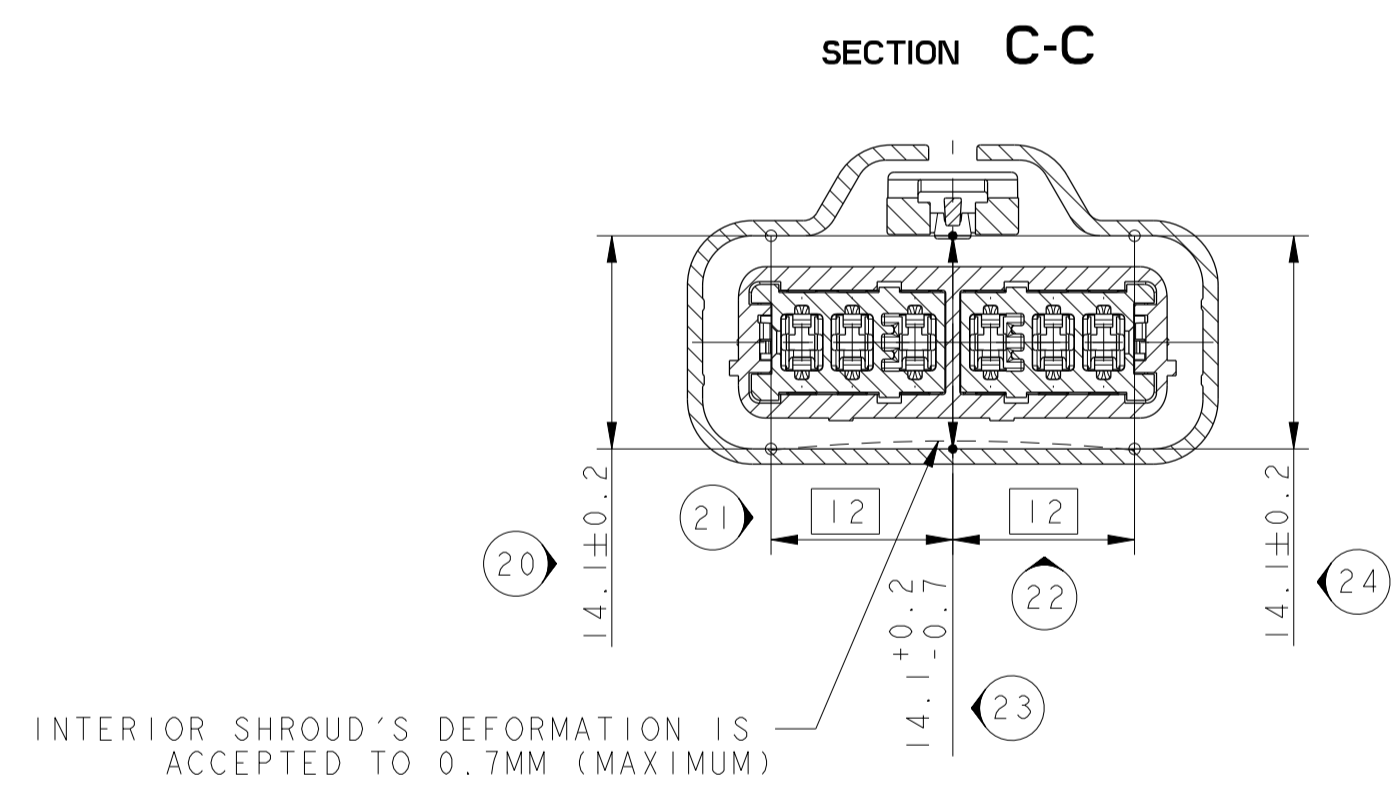
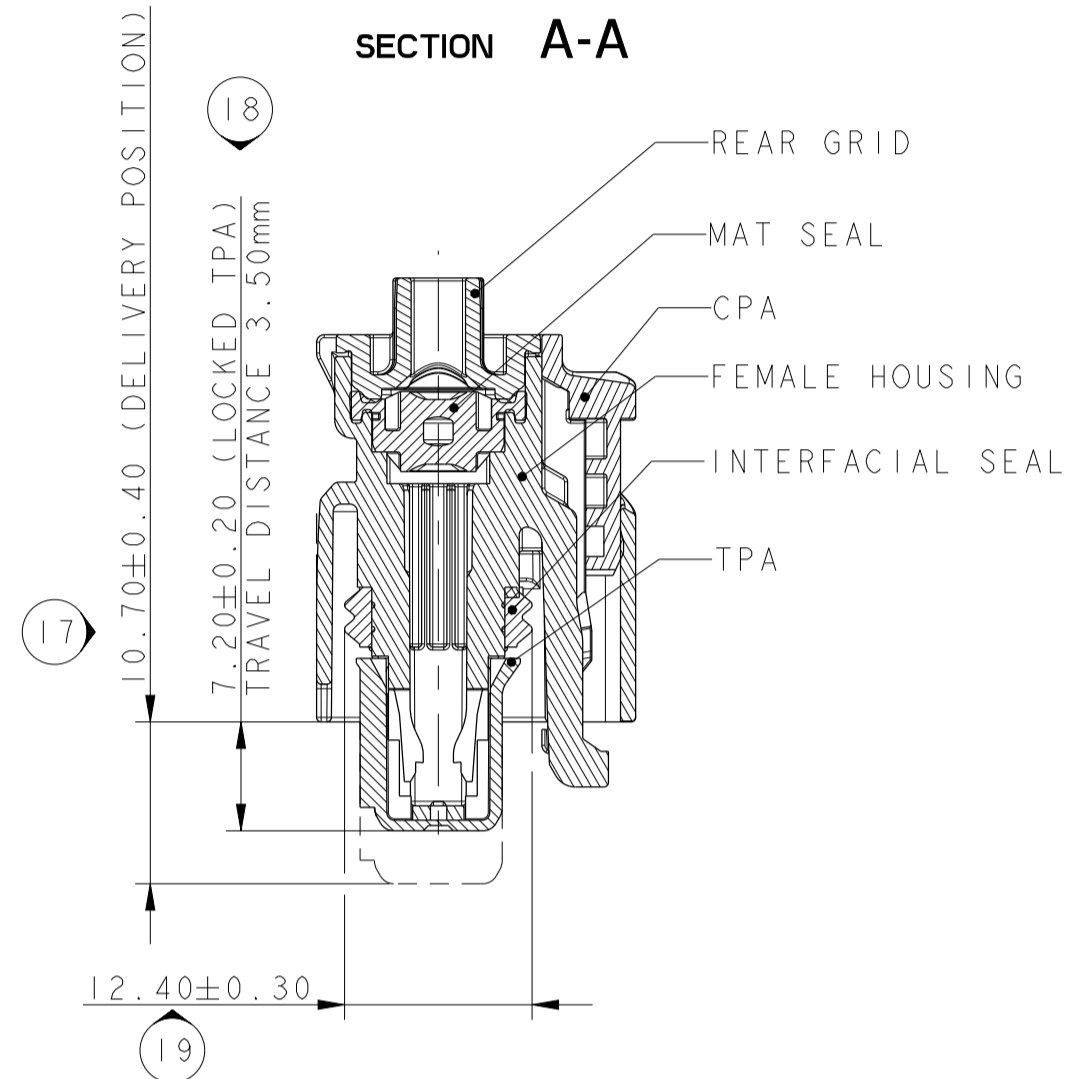
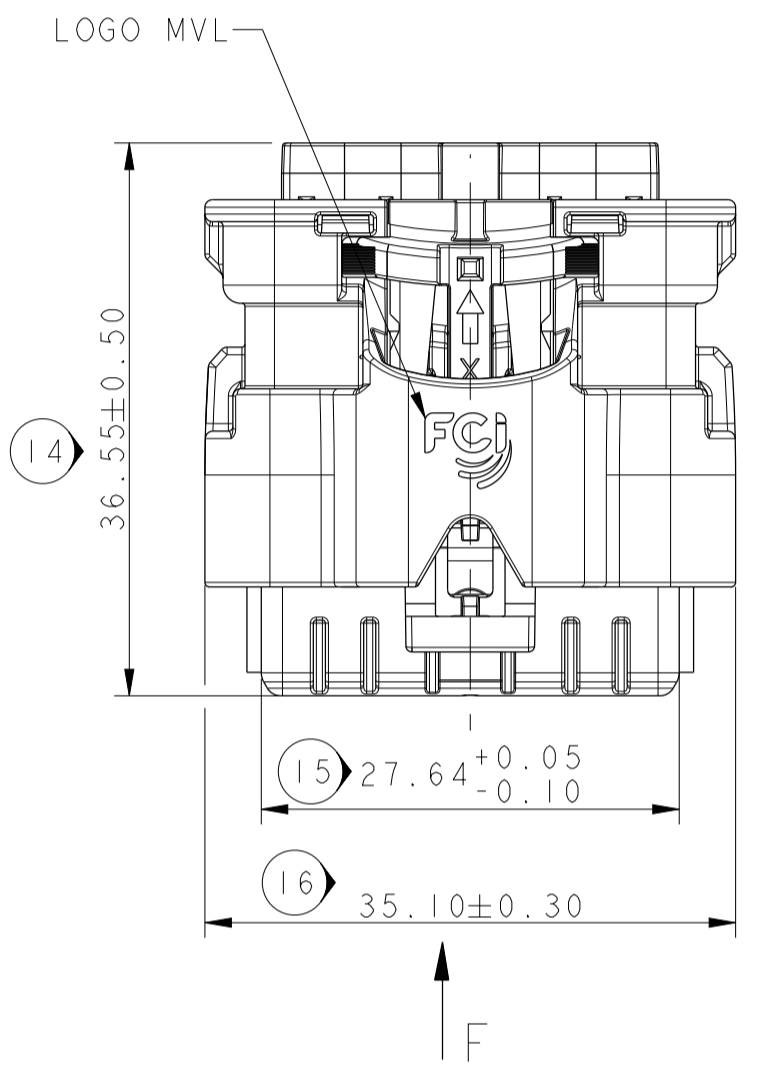
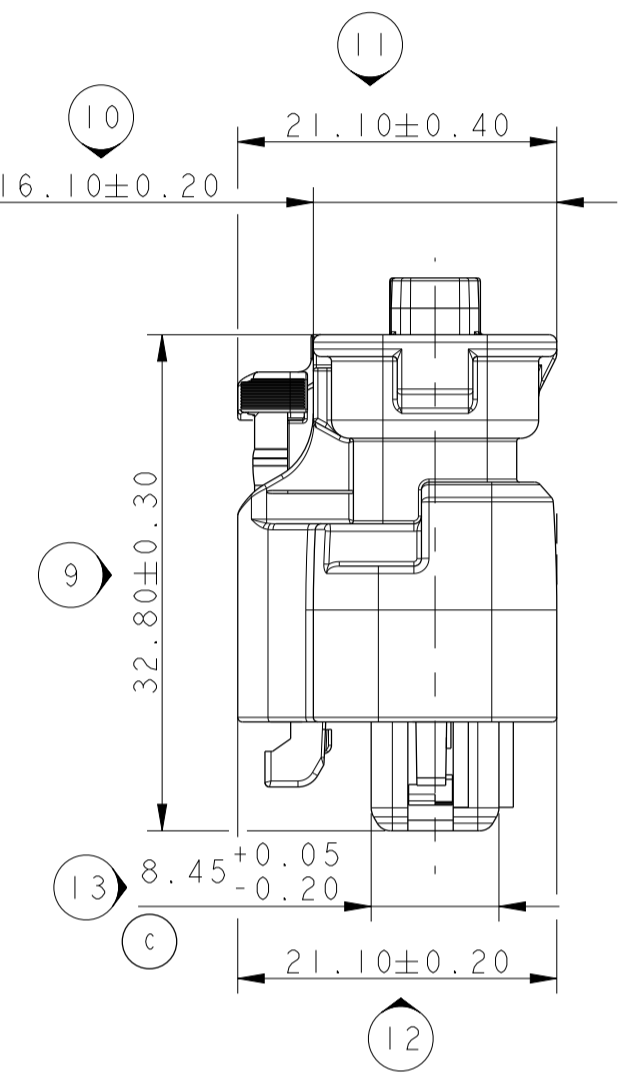
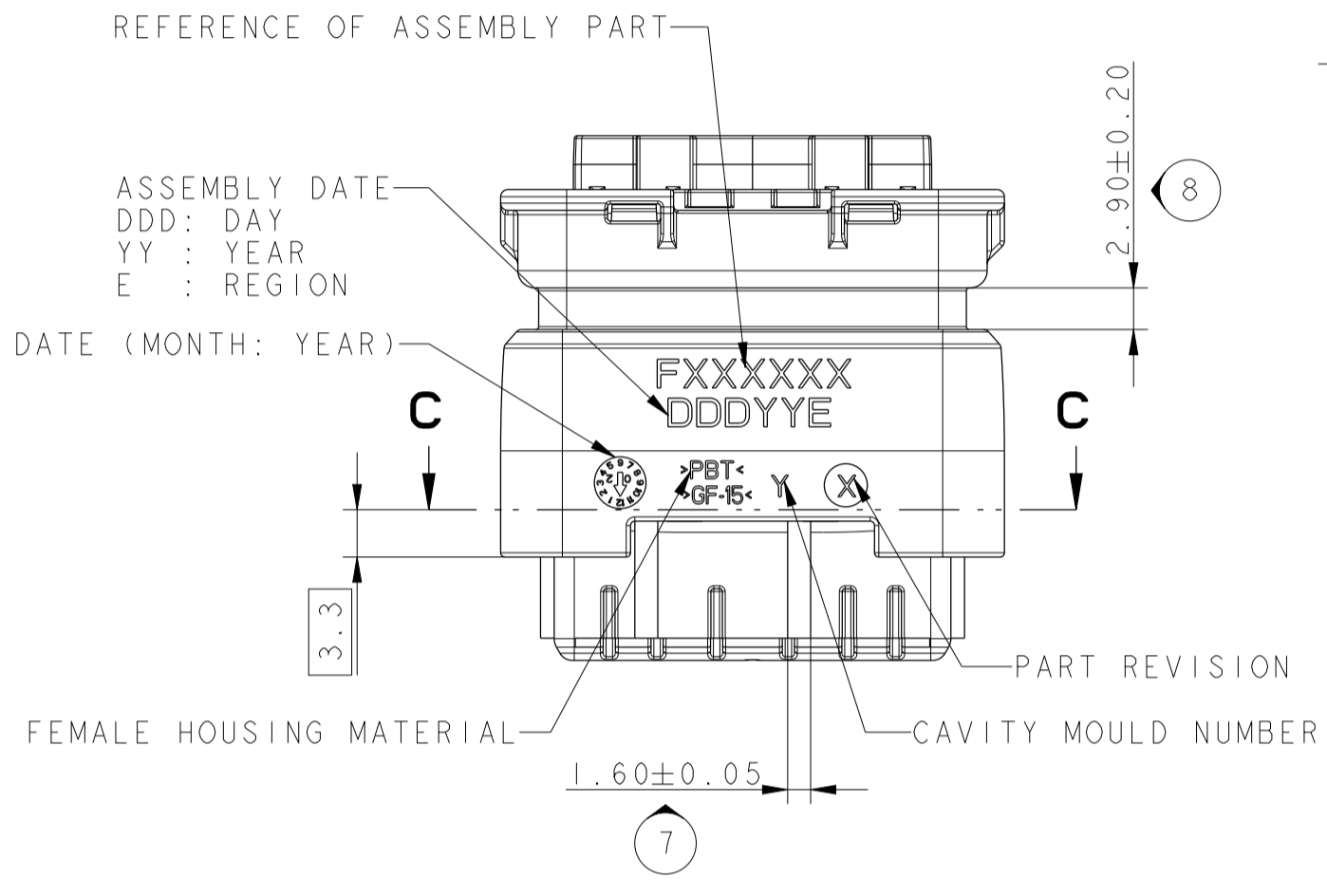
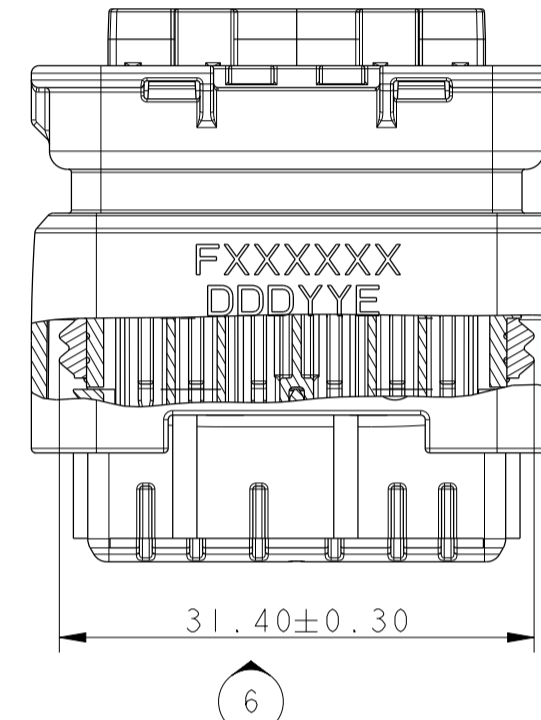


NOTE	SPECIFICATIONS
1	USER'S MANUAL MVL'S REFERENCE: PUI64 - ASSOCIATED PRODUCTS (CONTACT, PLUG...) ARE DEFINED IN THE USER'S MANUAL
2	WIRE INSULATION DIAMETER :MINI=1.25 :MAXI=2.80
3	DELIVERED CONNECTOR WEIGHT : 12g
4	FEMALE/MALE CONNECTOR MATING FORCE : F < 75 N
5	COMPATIBLE WITH INTERFACE DRAWING 21IFT0289 Rev. C



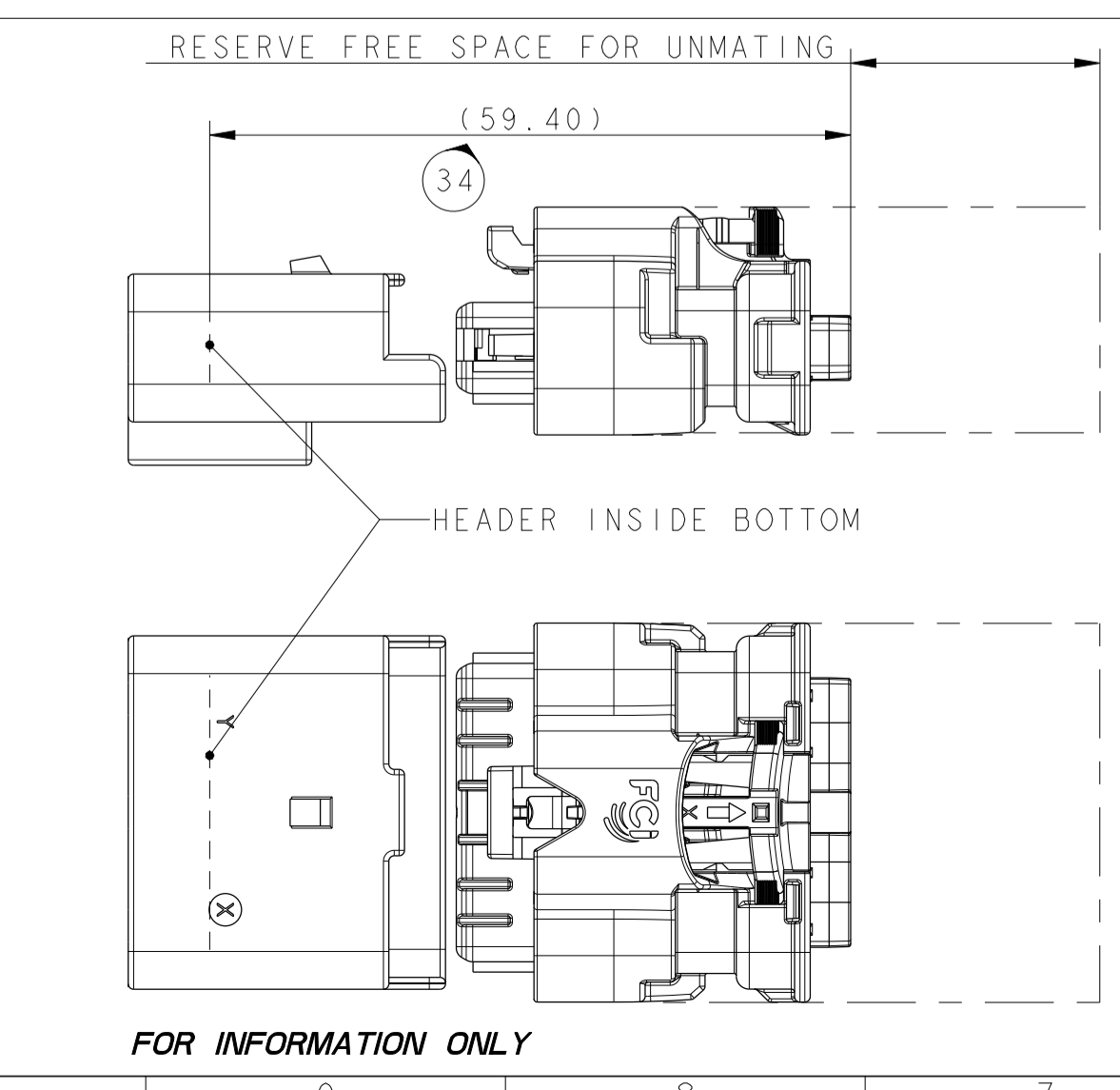
DESCRIPTION	MVL'S SERIAL REF.	DELPHI'S SERIAL REF. (C)	MATERIAL	COLOUR
REAR GRID	S583700	33512023	PBT GF15	BLACK
FEMALE HOUSING	S773700	33511996	PBT GF15	BLACK
TPA	S014700	33506939	PBT GF15	BROWN
	S904700	33512008		GREEN
	S804700	33512007		YELLOW
	S114700	33512010		RED
S214700	33512011	PURPLE		
CPA	S683700	33512015	PBT GF15	ORANGE
MAT SEAL	S693700	33501745	SILICONE	GREY
INTERFACIAL SEAL	S793700	33501738	SILICONE	BLUE

SECTION LOCAL B-B

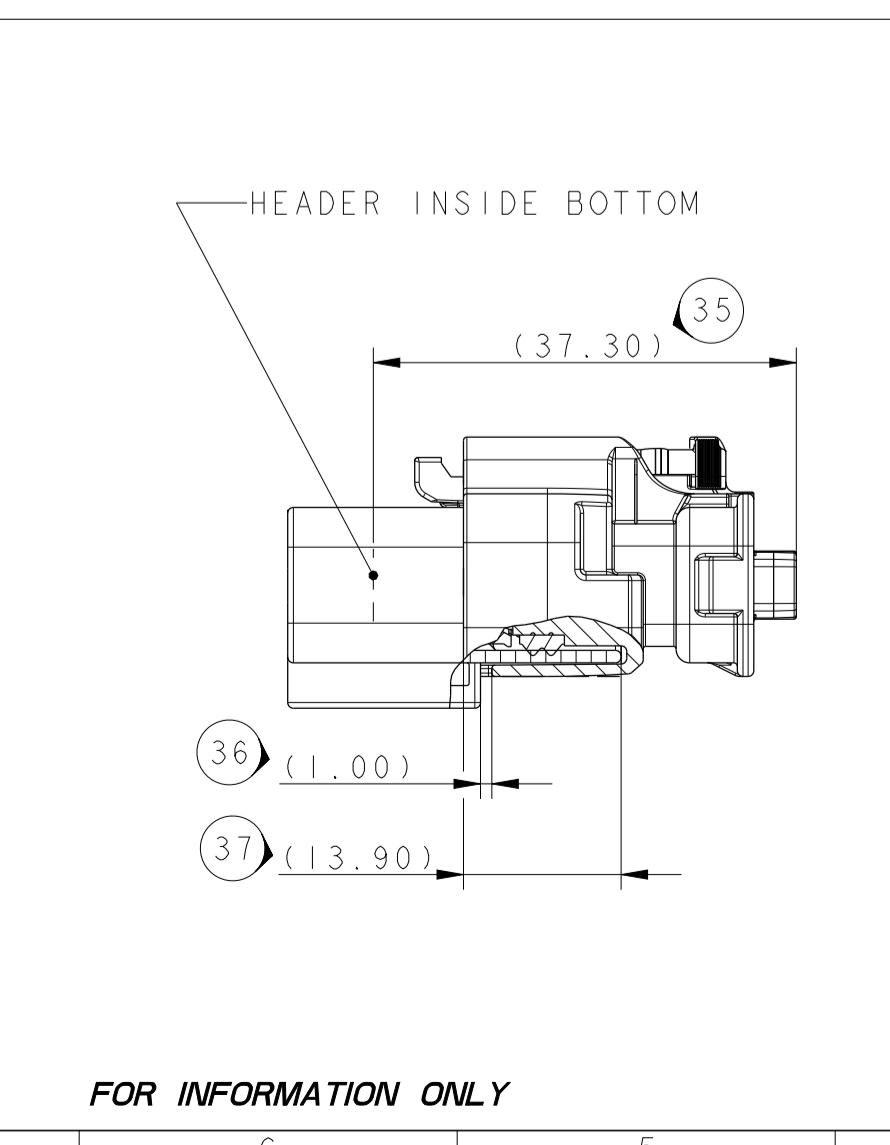


VIEW F TOLERANCES ±0.05 SCALE 1:1	VIEW F TOLERANCES ±0.05 SCALE 1:1	VIEW F TOLERANCES ±0.05 SCALE 1:1	COLOUR CODING	PART NUMBER	PART REVISION	MVL
RED coding	PURPLE coding					
F943700	F053700					
A	A					
33502275	33511993					
01	01					
BROWN coding	GREEN coding	YELLOW coding				
F843700	F743700	F643700				
A	A	A				
13846922	13935410	13885362				
01	01	01				

OVERALL DIMENSION TO BE USE FOR MATING/UNMATING



OVERALL DIMENSION MATTED ON HEADER SEE NOTE 5



ECR-13-363	G 11 DIMENSION 8.45 ± 0.05 BECAME 8.45 +0.05/-0.2				
	LM 6-7 DELPHI REFERENCE ADDED IN THE TABLE				
	D 8-10 NOTE ADDED FOR REAR GRID				
	KEYS OF POLARIZATION OF REAR GRID ARE SUPPRESSED				
PROJECT SPEC.	PACKAGING SPEC.	APPLICATION SPEC.	COPYRIGHT DELPHI CORPORATION AND/OR ITS AFFILIATES. ALL RIGHTS RESERVED. REVISED THIS DRAWING IS THE PROPERTY OF DELPHI CORPORATION AND CONTAINS DELPHI CONFIDENTIAL INFORMATION. THE REPRODUCTION, DISTRIBUTION AND RELEASE OF THIS DOCUMENT OR ITS CONTENTS OR ANY PART THEREOF WITHOUT EXPRESS AUTHORIZATION OF DELPHI CORPORATION IS PROHIBITED.	DELPHI	CAU SYSTEM
TOLERANCES	±0.1	±2*	MATERIAL: SEE TABLE	STATE DE SURFACE	DELPHI PACKARD ELECTRICAL/ELECTRONIC ARCHITECTURE EPHEMER, FRANCE
CONTRACT N°			COLOUR: SEE TABLE	TOOL NO.	DELPHI
DO NOT MEASURE DRAWING			ECO EXP: C64	FE	DELPHI
DATE	DATE	DATE			
CREATED BY	DATE	TITLE	DESIGNATION	DRAWING NUMBER	PROJ / ENG
MODIFIED BY	DATE			REF. PLAN	REV. IND.
APPROVED BY	DATE				
FILE NAME	DATE				

EUR C04 112 F29

X-ON Electronics

Largest Supplier of Electrical and Electronic Components

Click to view similar products for [Automotive Connectors](#) category:

Click to view products by [APTIV](#) manufacturer:

Other Similar products are found below :

[003-018-000](#) [60403001](#) [60993906-B](#) [M902-2131](#) [M902-2161](#) [72.330.1035.1](#) [73.353.4028.0](#) [F119300-B](#) [F166900](#) [F258300-B](#) [F358300-B](#)
[F407400](#) [F444110](#) [F487000](#) [F509500B-B](#) [827153-1](#) [8N1515-32-24P](#) [9-1326729-8](#) [925474-1](#) [928905-1](#) [964562-4](#) [968782-1](#) [GT17SA-8DS-](#)
[HU](#) [98891-1012](#) [98947-1016](#) [12004475-L](#) [12010290](#) [12010309-B](#) [12015454](#) [12020219-B](#) [12020308](#) [12041318-B](#) [12052225-L](#) [12052466](#)
[12059125](#) [12064869](#) [12004327-B](#) [12010503-B](#) [12015308](#) [12015384](#) [12015909](#) [1-21030-1](#) [12041254](#) [12041318](#) [12047946-B](#) [12047957](#)
[12047957-L](#) [12059473](#) [12066261](#) [12110546](#)