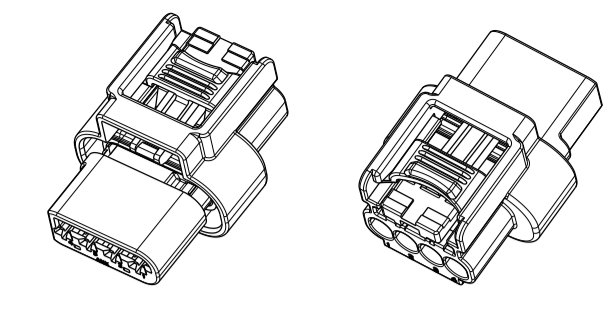
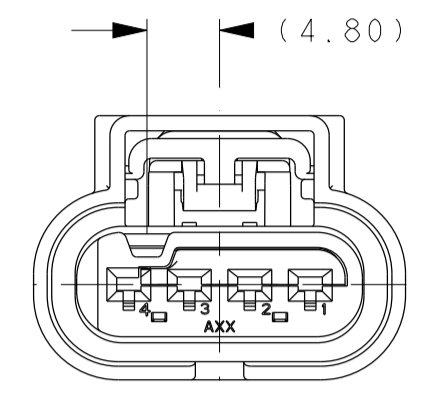


ASSEMBLY NUMBER	PCL	KEY OPTION	COLOR	MOLDED-OVER POSITIONS				COMPONENTS			
				1	2	3	4	INSULATOR (HOUSING)	TPA (BLUE)	RING SEAL (BLUE)	CPA (RED) (OPTIONAL)
								PA66 GF35	PA66 GF35	SILICONE	PA66 GF35
F405100		A	BLACK	X	X			F313100	F481100		F752210
F192100		A	BLACK	X	X			F313100	F481100		F752210
F782100		A	BLACK					F971100			
F882100		B	LT GRAY					F181100	F581100		
NOT AVAILABLE		C	DK GRAY					F281100	F681100		
NOT AVAILABLE		D	BLACK					F381100	F781100		F752210
F881100		A	BLACK					F971100	F481100		
F981100		B	LT GRAY					F181100	F581100		
NOT AVAILABLE		C	DK GRAY					F281100	F681100		
NOT AVAILABLE		D	BLACK					F381100	F781100		
F095900		A	BLACK			X		F225900	F481100		

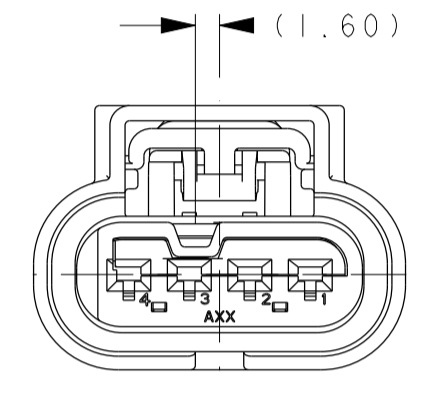
ITEM NO.	ITEM DESCRIPTION	PLATING OR COLOR	SUPPLIER	SUPPLIER COMP PART NUMBER	GRIP CODE	WIRE SIZE	INSULATION DIAMETER RANGE	MATERIAL/SPEC NO
5	1.20 SYSTEM TERMINAL	TIN	FCI	54001864	18	18-16 AWG 0.75-1.25mm ²	1.70mm-2.41mm	COPPER ALLOY / NA
	1.20 SYSTEM TERMINAL	TIN	FCI	54002006	20	22-20 AWG 0.35-0.50mm ²	1.20mm-1.90mm	COPPER ALLOY / NA
	1.20 SYSTEM TERMINAL	TIN/SILVER	FCI	54001866	18	18-16 AWG 0.75-1.25mm ²	1.70mm-2.41mm	COPPER ALLOY / NA
	1.20 SYSTEM TERMINAL	TIN/SILVER	FCI	54002007	20	22-20 AWG 0.35-0.50mm ²	1.20mm-1.90mm	COPPER ALLOY / NA
	1.20 SYSTEM TERMINAL	SILVER	FCI	F731400	18	18-16 AWG 0.75-1.25mm ²	1.70mm-2.41mm	COPPER ALLOY / NA
	1.20 SYSTEM TERMINAL	SILVER	FCI	F931400	20	22-20 AWG 0.35-0.50mm ²	1.20mm-1.90mm	COPPER ALLOY / NA
	1.20 SYSTEM TERMINAL	GOLD	FCI	54001863	18	18-16 AWG 0.75-1.25mm ²	1.70mm-2.41mm	COPPER ALLOY / NA
	1.20 SYSTEM TERMINAL	GOLD	FCI	54002005	20	22-20 AWG 0.35-0.50mm ²	1.20mm-1.90mm	COPPER ALLOY / NA
6	1.20 SYSTEM CABLE SEAL ROUND	RUST RED	FCI (QSR)	C528010 (A-0419)	-	18-16 AWG 1.00-1.25mm ²	1.90mm-2.41mm	SILICONE
	1.20 SYSTEM CABLE SEAL ROUND	BLUE	FCI (QSR)	54200391 (A-0131)	-	22-20 AWG 0.50-0.75mm ²	1.40mm-1.90mm	SILICONE
	1.20 SYSTEM CABLE SEAL ROUND	TAN	FCI (QSR)	C073510 (A-0419B)	-	0.35mm ²	1.20mm-1.40mm	SILICONE
	1.20 SYSTEM SEAL PLUG	GREEN	FCI (QSR)	C628010 (A-0412)	-	-	-	SILICONE



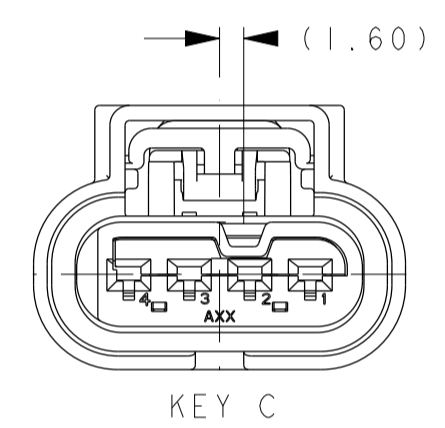
ISOMETRIC VIEW SCALE 1:1



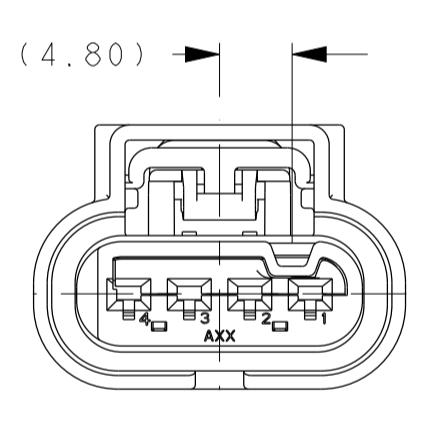
KEY A SCALE 2:1



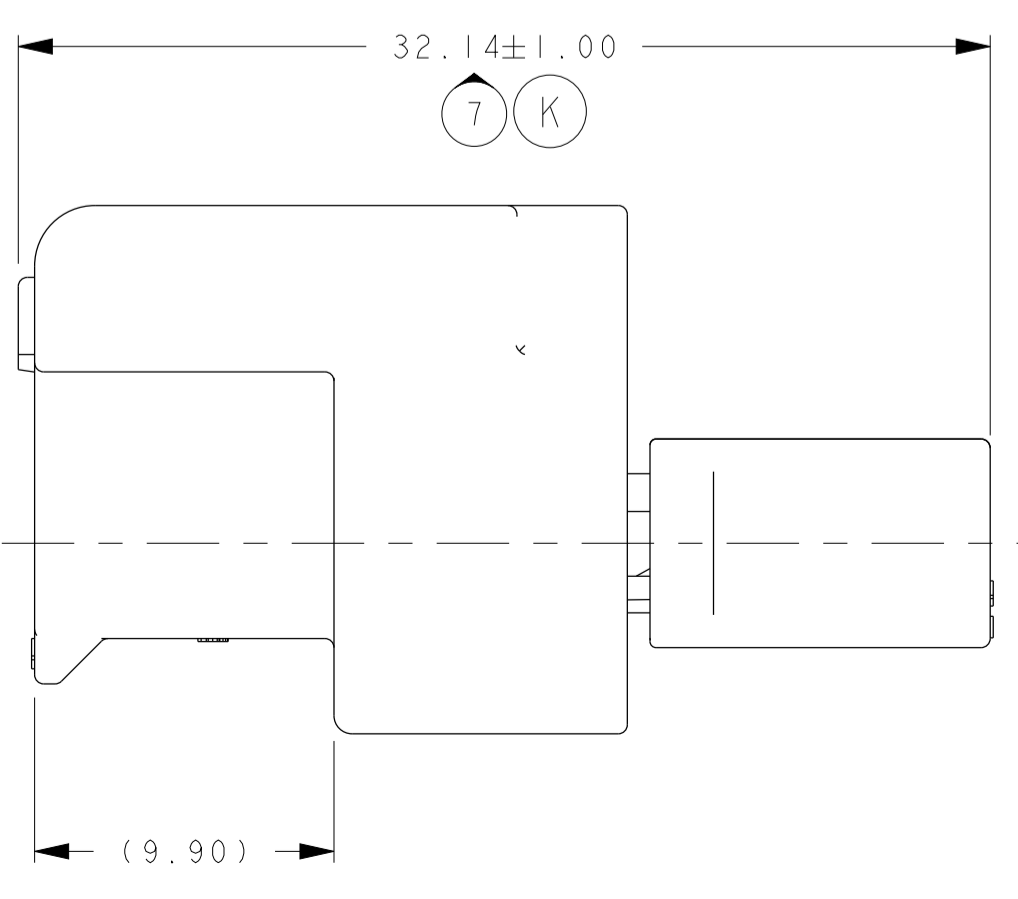
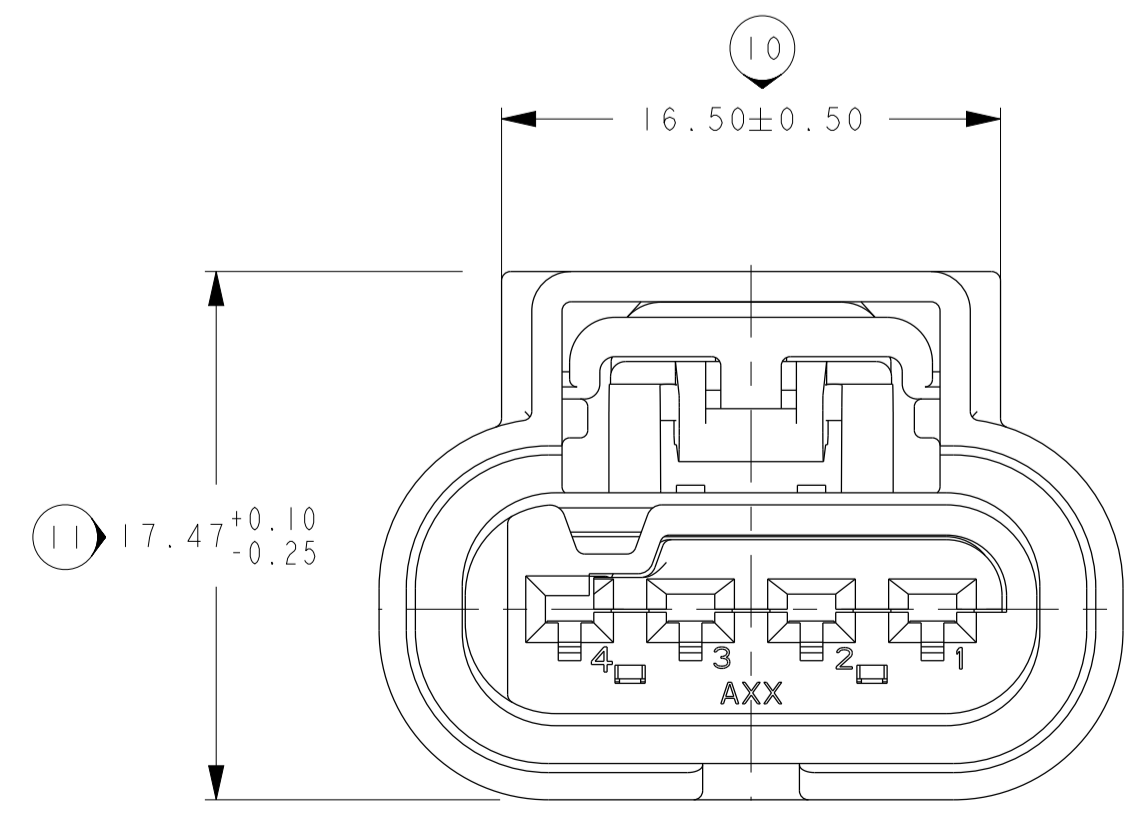
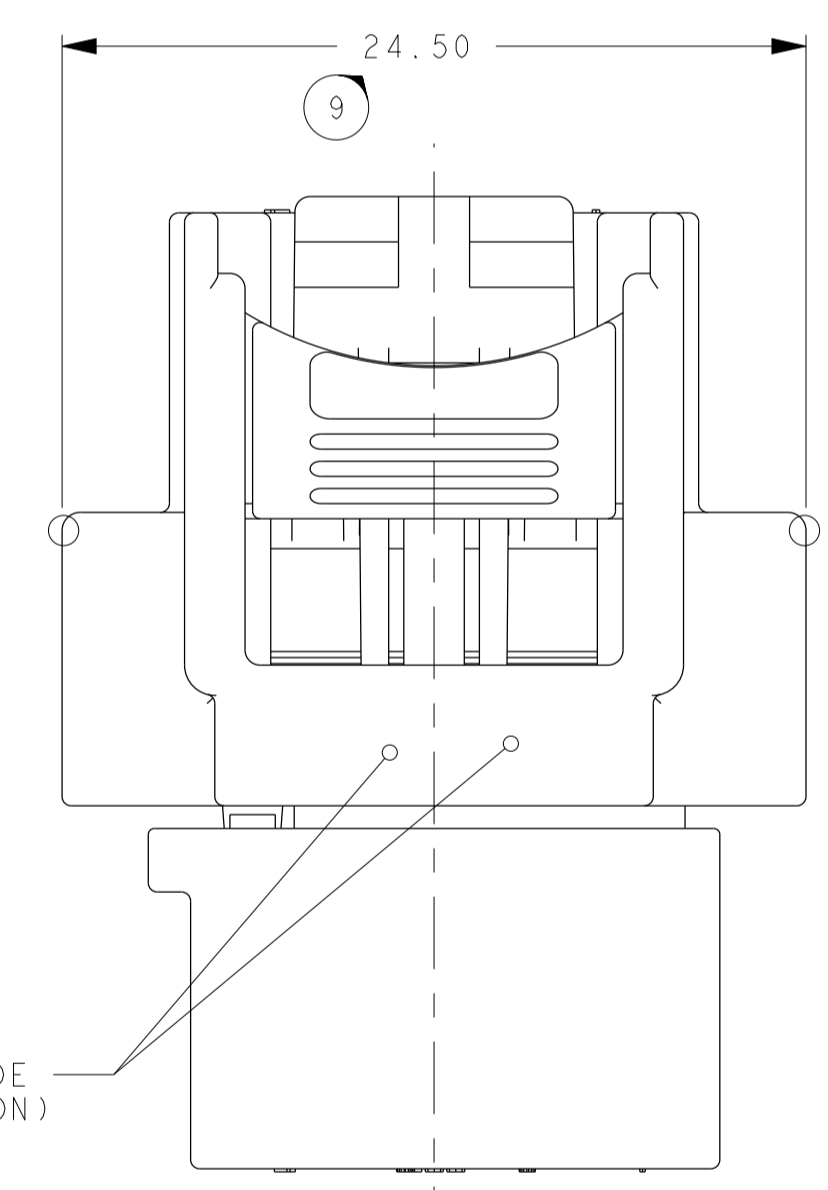
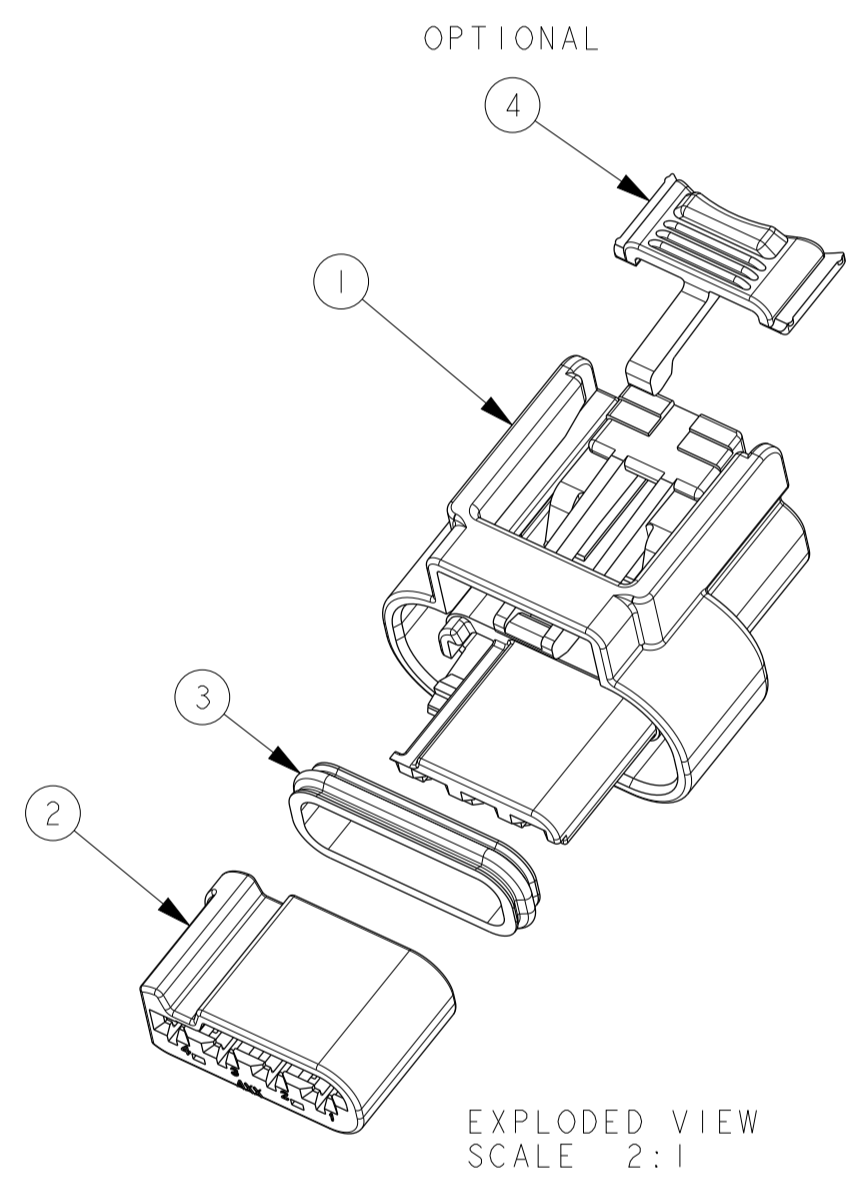
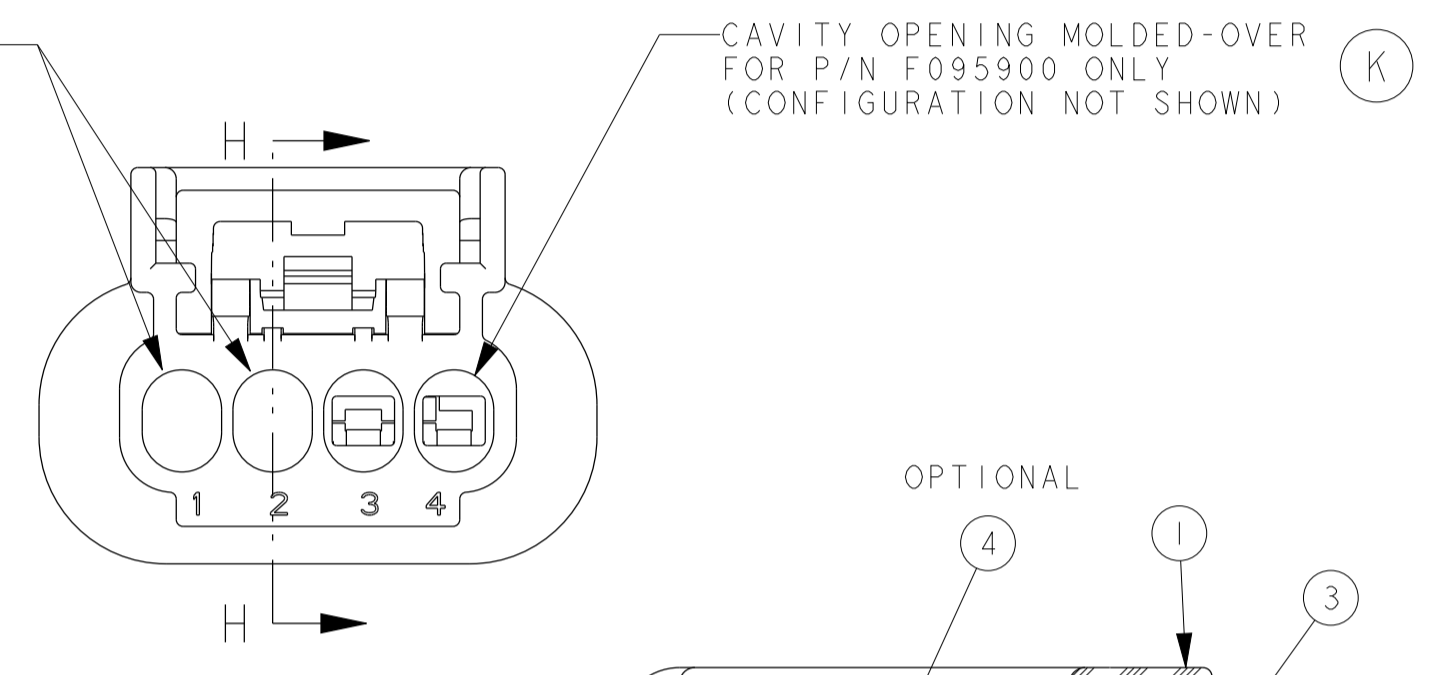
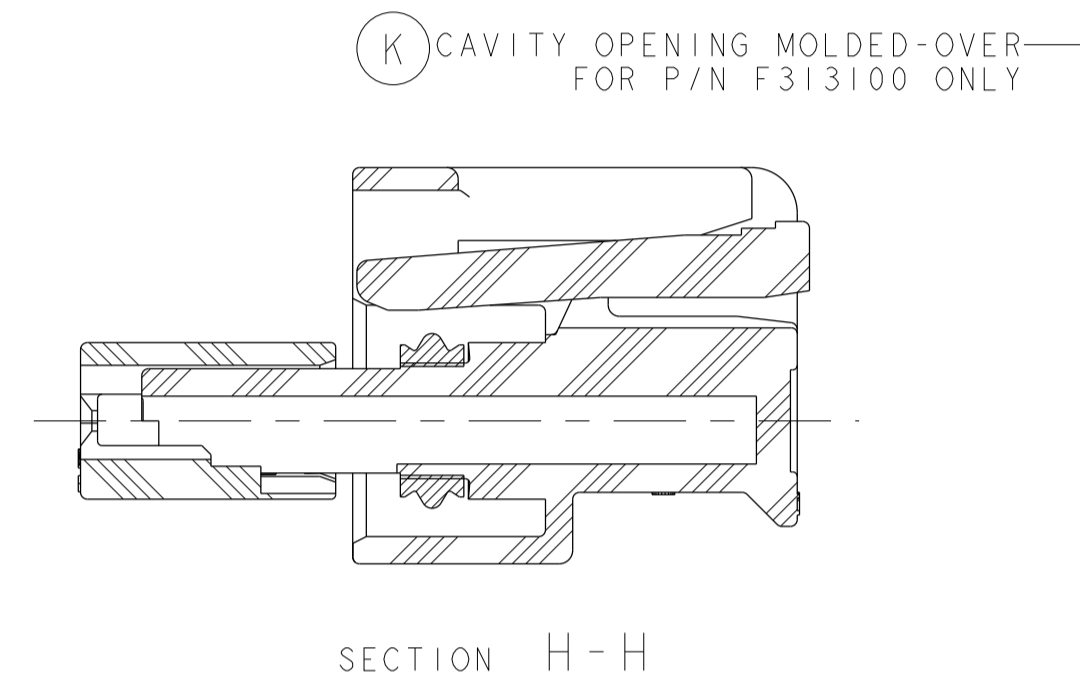
KEY B



KEY C



KEY D



- NOTES:
- VALIDATED TO SAE/USCAR-2 REV 5 WITH THE FOLLOWING EXCEPTION(S):
- SECTION 5.4.2 (Connector-Connector Mating/Unmating Force) >95N (UN-MATING FORCE)
 - VALIDATED TO THE FOLLOWING TEMP, VIBRATION, AND SEALING CLASSES:
- GMW3191 SECTION 4.28 V4 T4 (155°C) WITH GOLD OR SILVER TERMINALS
- SAE/USCAR-2 V3 T4 (150°C) WITH GOLD OR SILVER TERMINALS
- SAE/USCAR-2 V3 T3 (125°C) WITH TIN/SILVER TERMINALS
- SAE/USCAR-2 V2 T3 (125°C) WITH TIN TERMINALS
- SAE/USCAR-2 SEALING S3 T4 (150°C)(1S016750 9K EQUIVALENT)
 - CONNECTOR MAY BE USED WITH THE FOLLOWING TERMINALS:
- FCI APEX 1.2 TERMINALS LISTED IN THE APPLICABLE COMPONENTS CHART ON THIS DRAWING WITH WIRE SIZES DEFINED IN NOTE 4.
- SEE FCI DRAWING C18001-1-2-CUST FOR SPECIFIC TERMINAL DETAILS AND CRIMPING REQUIREMENTS
- PLATING OF TERMINALS AND MATING DEVICE BLADES MUST BE COMPATIBLE
 - CONNECTOR SYSTEM VALIDATED TO USCAR-2 REQUIREMENTS WITH THE FOLLOWING RANGE OF WIRE SIZES AND TYPES IN CONJUNCTION WITH APPROPRIATE COMPONENTS FOUND IN THE "APPLICABLE COMPONENTS" CHART:
AWG - WIRE SIZES: 22AWG - 16AWG
INSULATION DIAMETER: 1.50mm MIN - 2.41mm MAX
WIRE TYPE: MIL-123-A, MS-8288, MS-9502 OR EQUIVALENT (STRUCTURE AND PROPERTIES ACCORDING TO SAE J1128)
METRIC - WIRE SIZES: 0.35mm² - 1.25mm²
INSULATION DIAMETER: 1.20mm MIN - 2.30mm MAX
TYPE/STANDARD: FLR2X, FLR9X OR EQUIVALENT (STRUCTURE AND PROPERTIES ACCORDING TO ISO 6722)
- CONTACT FCI ENGINEERING REGARDING USE OF OTHER WIRE SIZES AND/OR TYPES
- WIRE AND INSULATION TYPE MUST BE APPROPRIATE FOR TEMPERATURE CLASS & APPLICATION ENVIRONMENT
- CONNECTOR IS MATE COMPATIBLE WITH DEVICES WHICH CONFORM WITH THE FOLLOWING USCAR INTERFACE SPECIFICATIONS:
- 120-S-004-1-201 (WITH EWCAP-001 TYPE 120-T BLADES)
- 120-S-004-1-202 (WITH EWCAP-001 TYPE 120-T BLADES)
 - ANNUAL QUALITY REQUIREMENTS:
- IT IS PERMISSIBLE TO PERFORM CONTINUOUS CONFORMANCE PER FCI SPECIFICATION #AQA-001 INSTEAD OF ANNUAL LAYOUT AND ANNUAL PV REQUIREMENTS OF ISO TS16949 AND SAE/USCAR-2 REV 5. FOR TERMINAL TO CONNECTOR AND TPA TO CONNECTOR ONLY.
 - SOURCE ID, MOLD & CAVITY ID SIGNIFIES TOOL OWNERSHIP, FOR REFERENCE
 - (K) INDICATES IN-PROCESS INSPECTION FOR MANUFACTURING DIMENSIONS OR SPECIFICATIONS.

ECN-12-01304 APP CHRT ADD 0.35 CABLE SEAL C073510, ADD 0.35mm ² AND 22 AWG WIRE		PART BOM KEY OPTION C WAS BROWN, KEY OPTION D WAS DK GRAY	
NOTES CORRECT AND REVISE NOTE 4			
1200612	CHARTS RE-ACTIVATE PART NUMBERS F405100, F782100 AND F882100	CPA PART NUMBER F752210 WAS 54200016	
CHARTS REVISED "APPLICABLE COMPONENTS CHART"		NOTES REVISED NOTE 4	
11899	CHARTS REVISED "APPLICABLE COMPONENTS" CHART	CHARTS ADDED ASM NUMBER F095900, REVISED "APPLICABLE COMPONENTS" CHART, REVISED NOTE #5	
11835	CHARTS ADDED ASM NUMBER F095900, REVISED "APPLICABLE COMPONENTS" CHART, REVISED NOTE #5	CHARTS REVISED "APPLICABLE COMPONENTS" CHART, MOVED KEY VIEWS, NOTES REVISED	
11765	CHARTS REVISED NOTE 4	DRAWING NUMBER PCC0546721 WAS PCC10546721	
10454	CHARTS REVISED CHART, ADDED "APPLICABLE COMPONENTS" CHART, KEYS C&D "NOT AVAILABLE"	ADDED DIMENSION BALLOONS	
KEY(S) REFERENCE DIMS WERE DIMENSIONS WITH TOLERANCE (#12,#13,#14,#15)		B12,C15 17.42±0.10/-0.25 WAS 17.42 (#11), 32.15±1.00 WAS 32.15 (#7)	
G11 DIMENSION 24.5 (#9) MOVED TO NEW VIEW & TARGETS ADDED		C11 16.50±0.50 WAS 16.50 (#10)	
NOTES ADDED QUALITY ASSURANCE REQUIREMENTS (DIAMOND), "K" NOTE, & CONN-CONN REMOVAL FORCE		10140 - RELEASE FOR PRODUCTION	
ECN NO.	ZONE	CHANGE DESCRIPTION	
PRODUCT SPEC.	PACKAGING SPEC.	APPLICATION SPEC.	THIS DRAWING AND ALL OTHER INFORMATION CONTAINED THEREIN IS PROPRIETARY AND THE PROPERTY OF FCI. THIS DRAWING MAY NOT BE COPIED, REPRODUCED OR DISCLOSED TO ANY THIRD PARTY WITHOUT THE EXPRESSED WRITTEN PERMISSION OF FCI. FCI APR 11 1999
TOLERANCES	±0.1	±0.2*	SURFACE FINISH
CONFORM TO:		COLOR:	
DO NOT MEASURE DRAWING	TOOL NO.	ECO Loc. C46	AN
CREATED BY	DATE	NAME	TITLE
20071102		Maheshwari P	PROJECT
20131022		Mani MAJUM	PROJECT
20131022		Robert BAUMAN	PROJECT
20131022		Frank HOLUB	ESR NO. / CAT. NO.
DRAWING NUMBER		PCC0546721	
PROJECT		4 WAY FEMALE ASSEMBLY	
STATE		SERIAL RELEASED	
PART NUMBER		12MM HIRSCHMANN INTERFACE	
FILE NAME		PCC0546721	
DOCUMENT UNDER PDS CONTROL, NO MODIFICATION ALLOWED OUTSIDE			

X-ON Electronics

Largest Supplier of Electrical and Electronic Components

Click to view similar products for [Automotive Connectors](#) category:

Click to view products by [APTIV](#) manufacturer:

Other Similar products are found below :

[003-018-000](#) [60403001](#) [60993906-B](#) [629515004020001](#) [M902-2131](#) [M902-2161](#) [72.330.1035.1](#) [73.353.4028.0](#) [F119300-B](#) [F166900](#)
[F258300-B](#) [F358300-B](#) [F407400](#) [F444110](#) [F487000](#) [F509500B-B](#) [827153-1](#) [8N1515-32-24P](#) [9-1326729-8](#) [925474-1](#) [928905-1](#) [964562-4](#)
[968782-1](#) [GT17SA-8DS-HU](#) [98891-1012](#) [98947-1016](#) [12004475-L](#) [12010290](#) [12010309-B](#) [12015454](#) [12020219-B](#) [12020308](#) [12041318-B](#)
[12052225-L](#) [12052466](#) [12059125](#) [12064869](#) [12004327-B](#) [12010503-B](#) [12015308](#) [12015384](#) [12015909](#) [1-21030-1](#) [12041254](#) [12041318](#)
[12047946-B](#) [12047957](#) [12047957-L](#) [12059473](#) [12066261](#)