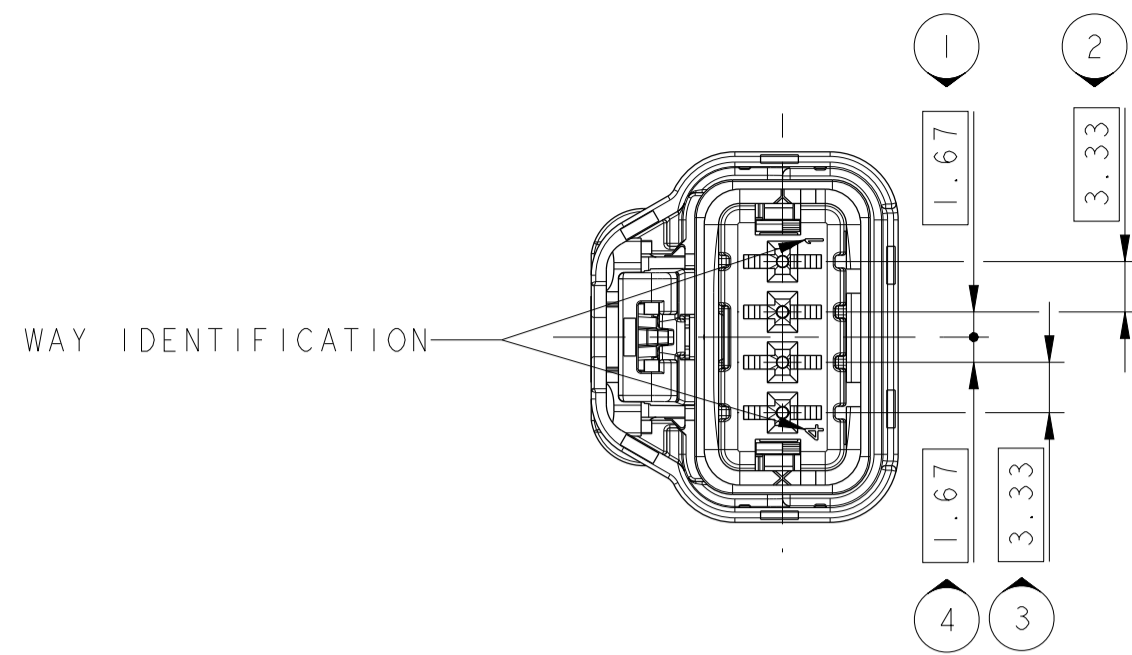
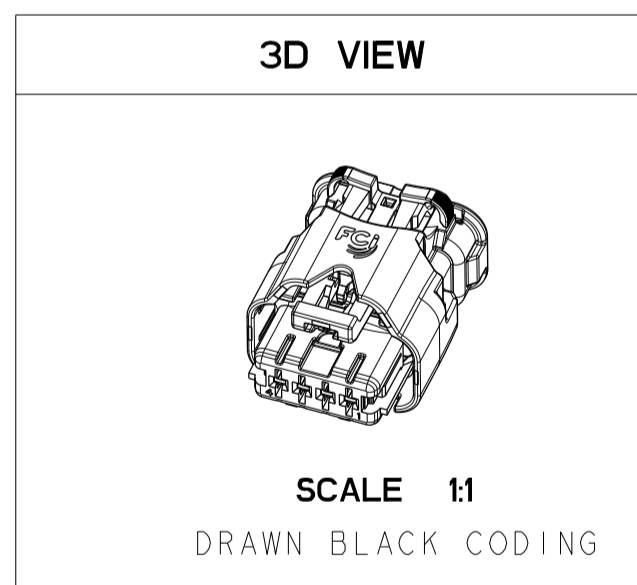
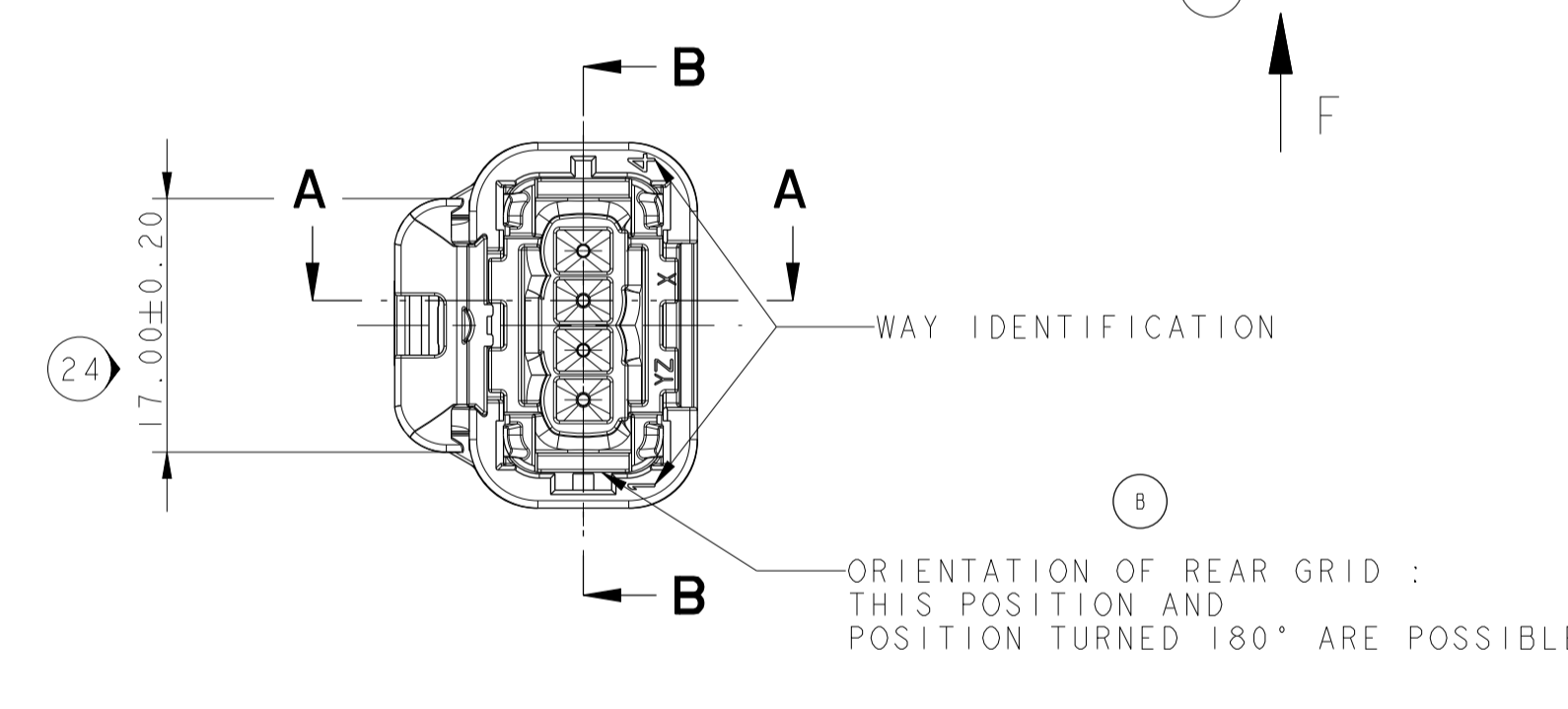
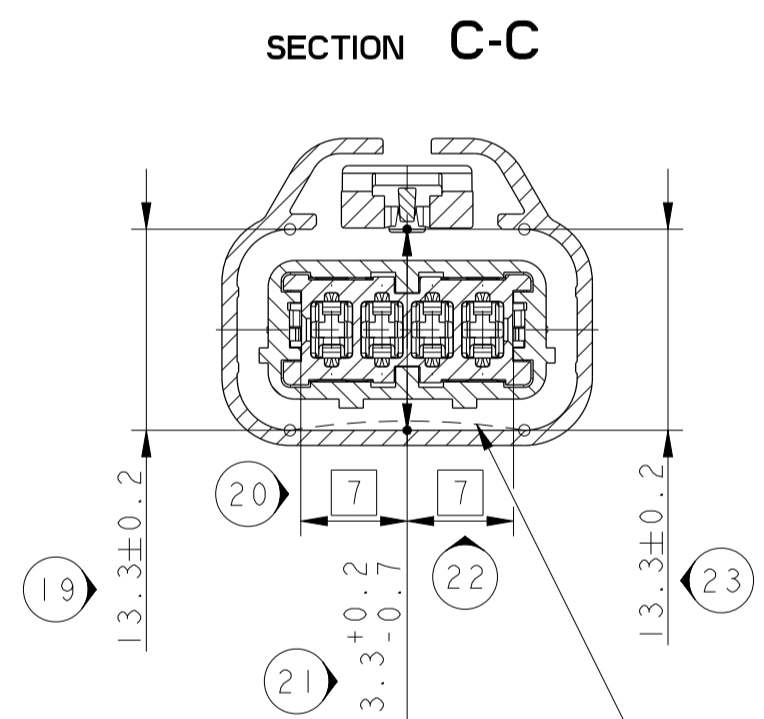
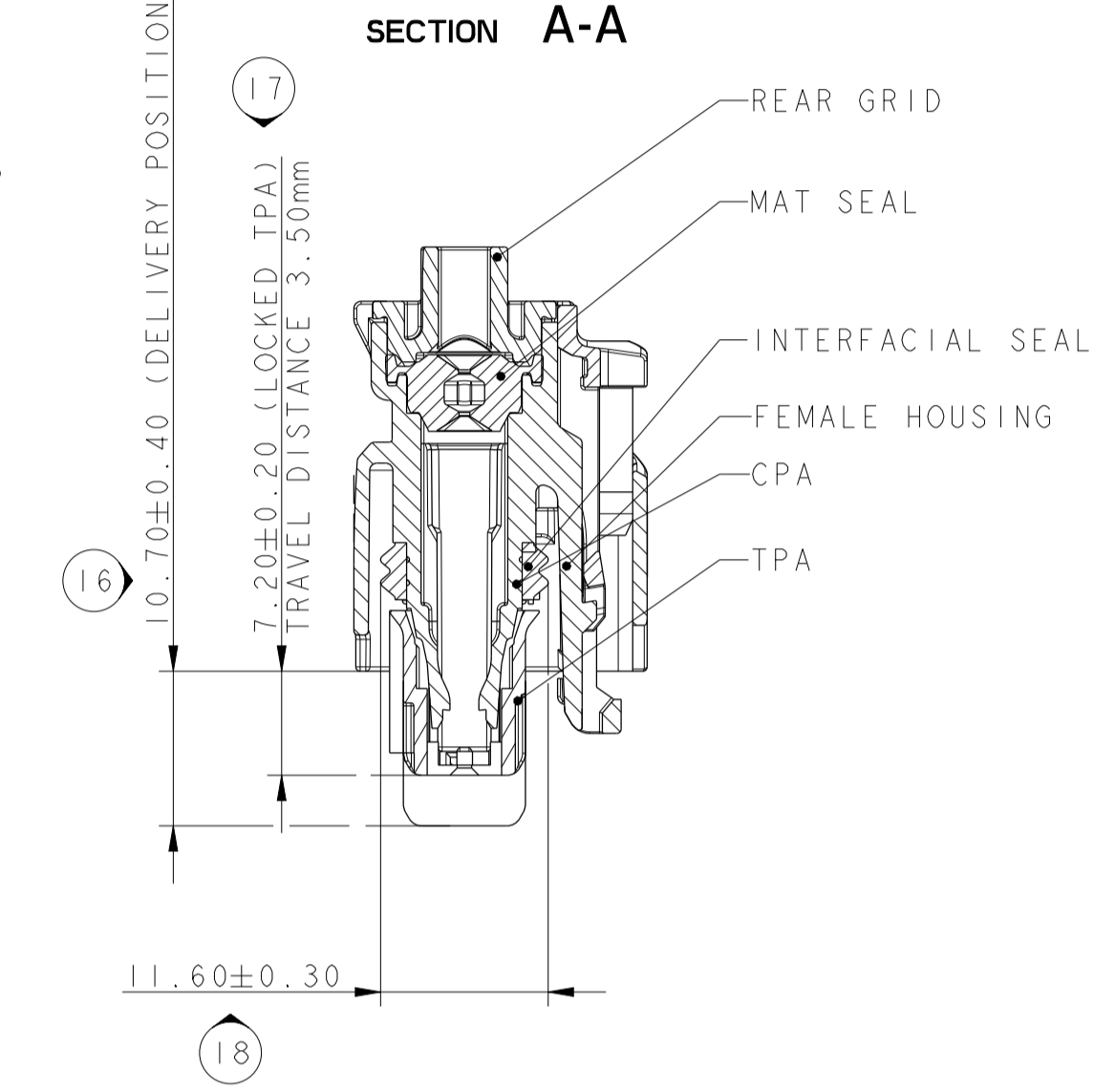
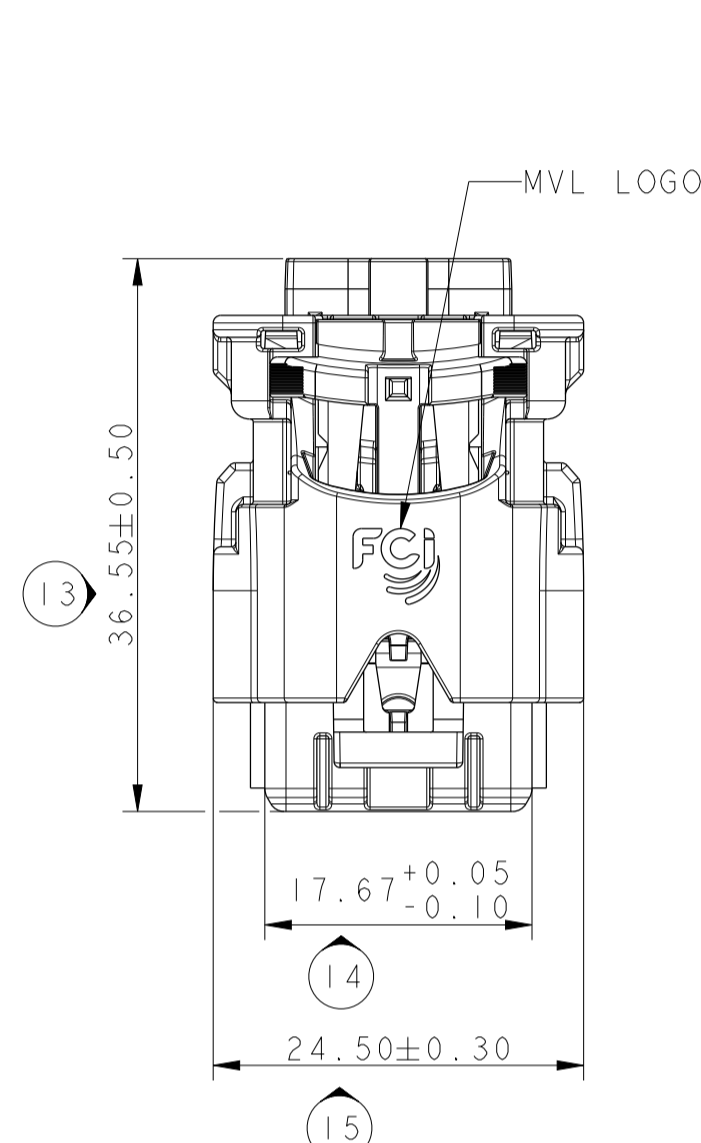
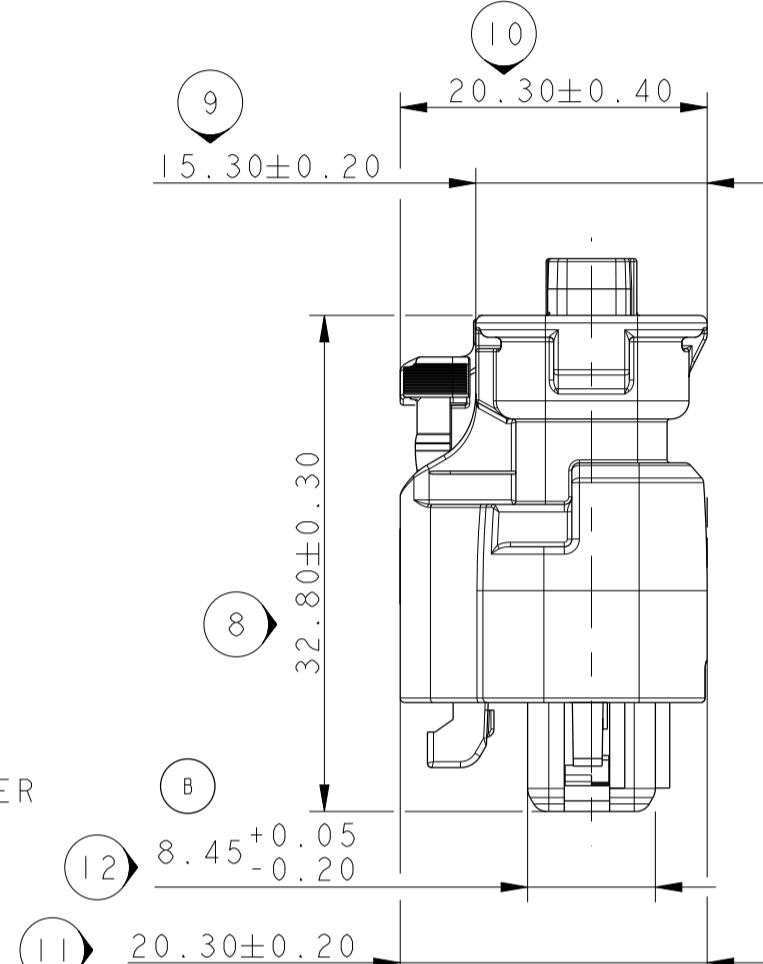
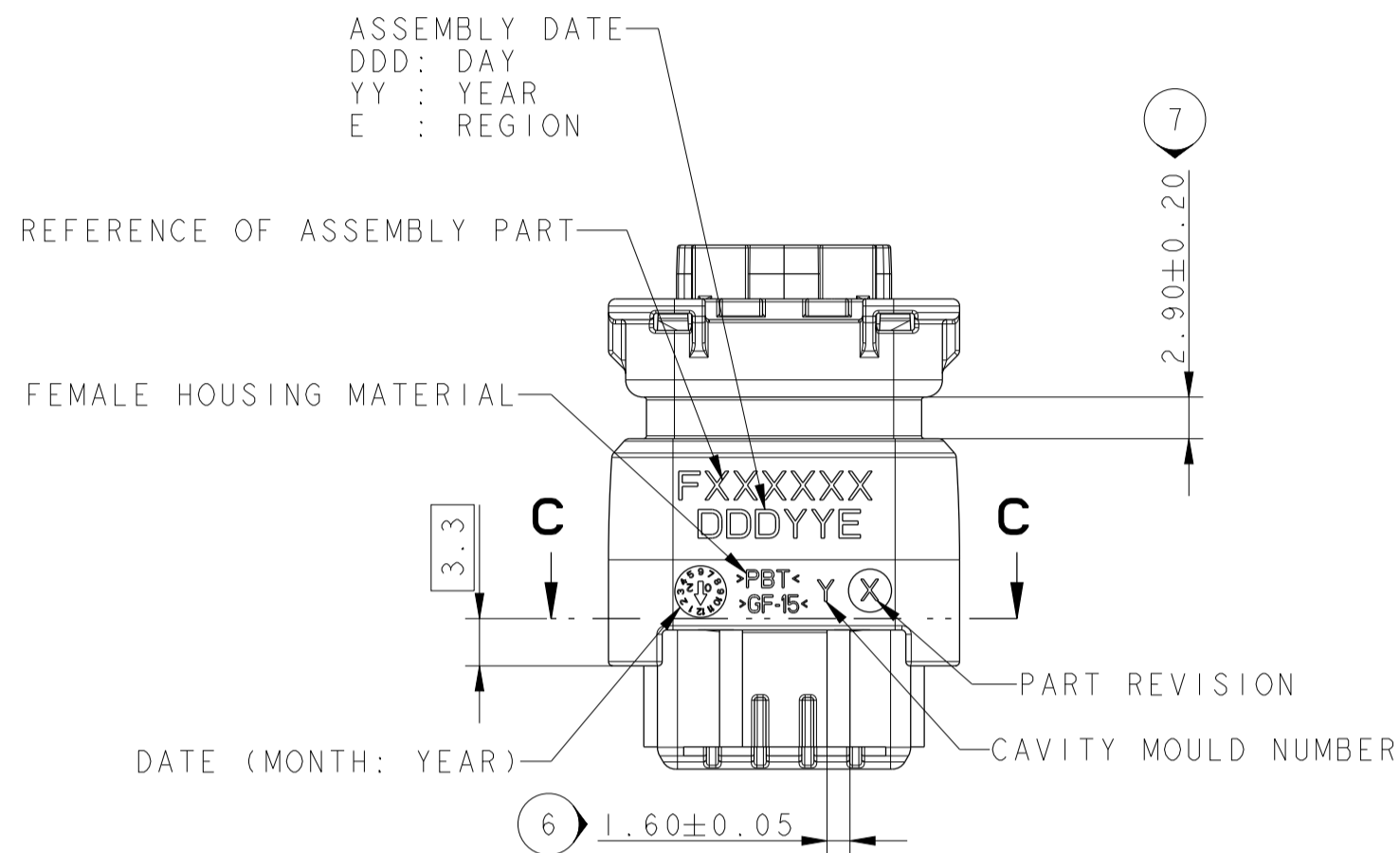
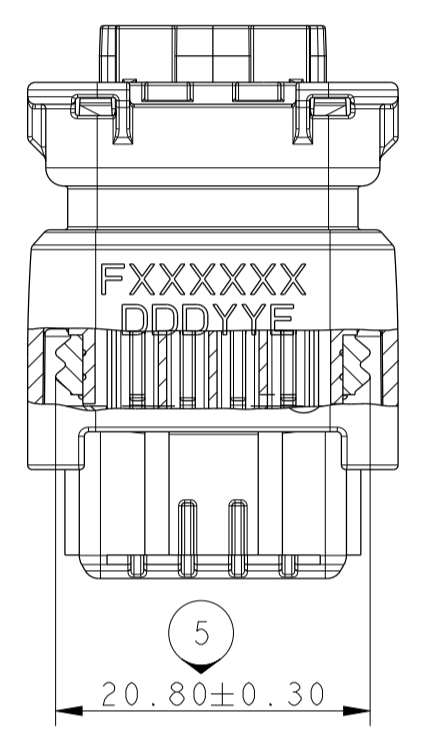


NOTE	SPECIFICATIONS
1	USER'S MANUAL MVL'S REFERENCE: PUI64 - ASSOCIATED PRODUCTS (CONTACT, PLUG, ...) ARE DEFINED IN THE USER'S MANUAL
2	WIRE INSULATION DIAMETER :MINI=1.25 :MAXI=2.80
3	DELIVERED CONNECTOR WEIGHT : 8.5g (B)
4	FEMALE/MALE CONNECTOR MATING FORCE F 75 N
5	COMPATIBLE WITH INTERFACE DRAWING 21IFT0289 Rev. C

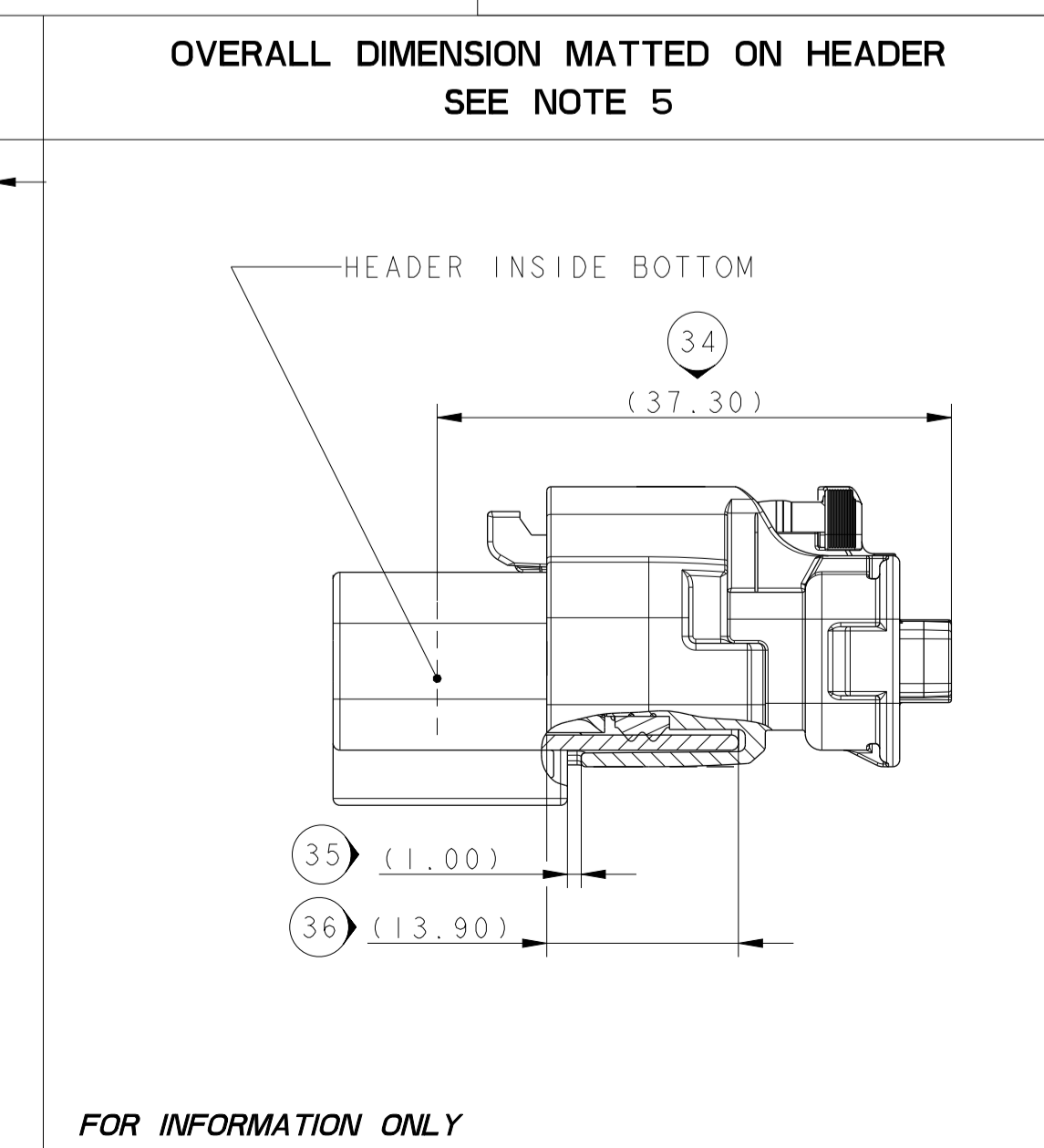
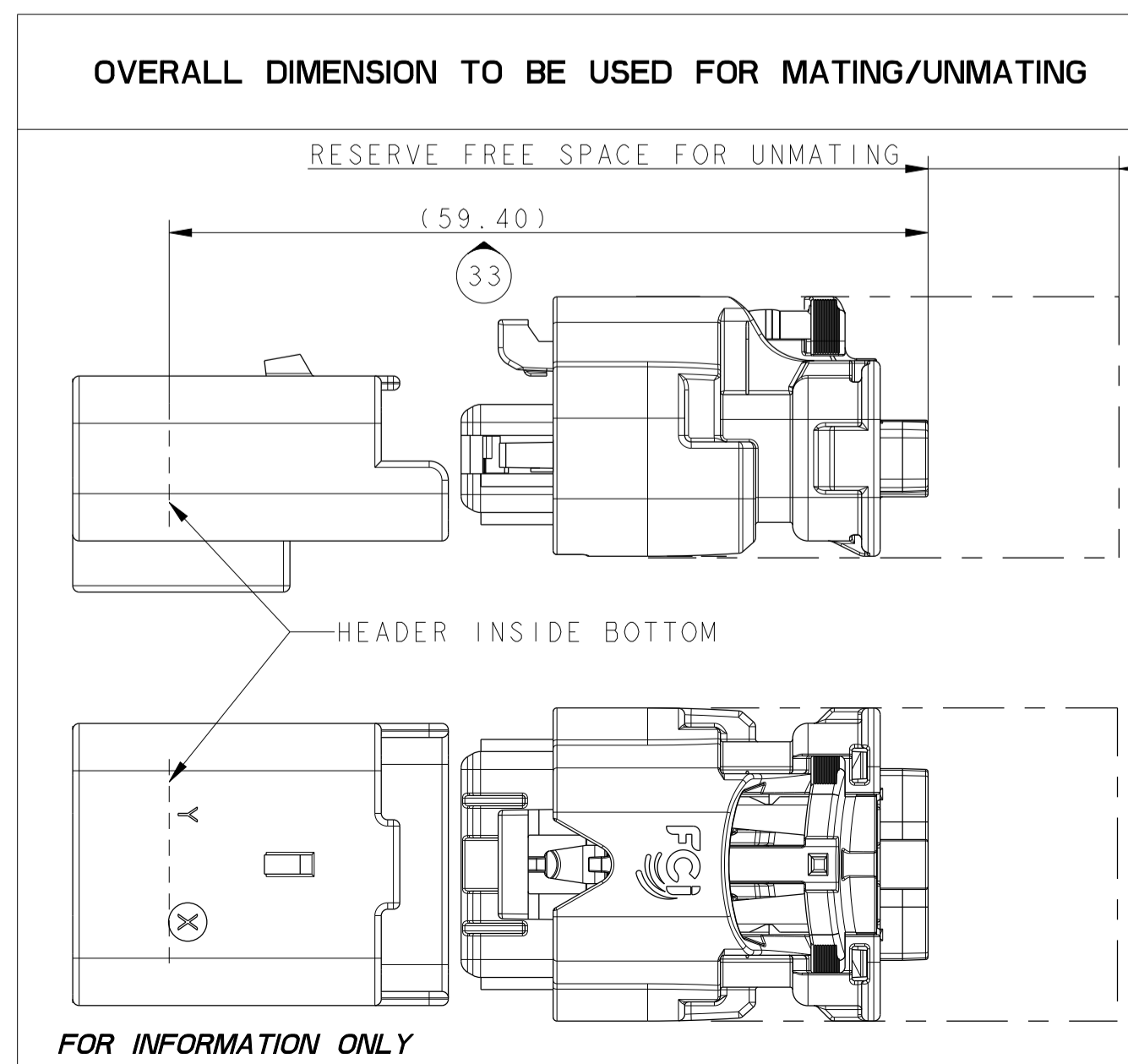
REAR GRID	S383700	33512021	PBT GF15	BLACK
FEMALE HOUSING	S563700	33511994	PBT GF15	BLACK
TPA	S004700	33511997	PBT GF15	BLACK
	S993700	33511998		BLUE
	S893700	33511999		GREY
	S104700	33512000		RED
	S204700	33512001		PURPLE
CPA	S683700	33512015	PBT GF15	ORANGE
MAT SEAL	S293700	33501744	SILICONE	GREY
INTERFACIAL SEAL	S393700	33501732	SILICONE	BLUE
DESCRIPTION	MVL'S SERIAL REF.	DELPHI'S SERIAL REF. (B)	MATERIAL	COLOUR



SECTION LOCAL B-B



VIEW F TOLERANCES ±0.05 SCALE 1:1	VIEW F TOLERANCES ±0.05 SCALE 1:1	VIEW F TOLERANCES ±0.05 SCALE 1:1	COLOUR CODING	PART NUMBER	PART REVISION	MVL
RED coding F923700 A 13948561 01	PURPLE coding F033700 A 33511728 01					
GREY coding F823700 A 13966699 01	BLUE coding F723700 A 13893672 01	BLACK coding F623700 A 13876521 01				



ECR-13-363	M 15	UPDATED WEIGHT OF CONNECTOR
	G 11	DIMENSION 8.45±0.05 BECAME 8.45+0.05/-0.2
	LM 6-7	DELPHI REFERENCE ADDED IN THE TABLE
	E 8-9	NOTE ADDED FOR REAR GRID
		KEYS OF POLARIZATION OF REAR GRID ARE SUPPRESSED
ECR-NO. / NUMBER ECR	POSITION	CHANGE DESCRIPTION
PROJECT SPEC. / SPECIF. PRODUIT	PACKAGING SPEC. / SPECIF. EMBALLAGE	APPLICATION SPEC. / SPECIF. APPLICATION
COPYRIGHT DELPHI CORPORATION AND/OR ITS AFFILIATES. ALL RIGHTS RESERVED. REVISED THIS DRAWING IS THE PROPERTY OF DELPHI CORPORATION AND/OR ITS AFFILIATES. IT IS TO BE USED ONLY FOR THE PURPOSES SPECIFIED IN THIS DOCUMENT. IT IS NOT TO BE REPRODUCED OR TRANSMITTED IN ANY FORM OR BY ANY MEANS, WITHOUT EXPRESS AUTHORIZATION. EST PROHIBÉ DE REPRODUIRE CE DOCUMENT OU DE LE COMMUNIQUER EN QUELQUE MANNIÈRE QUE CE SOIT, SANS LAutorisation écrite de DELPHI CORPORATION.		
TOLERANCES / TOLERANCES	±0.1	±2*
CONTRIBUTOR / CONTRIBUTEUR	DELPHI	DELPHI
DATE / DATE	2018/02/09	2018/02/09
APP. PAR / APPR. PAR	S LACOTE	S LACOTE
DESIGNATION / DESIGNATION	4-WAY FEMALE CONNECTOR	
DRAWING NUMBER / REF. PLAN	PCC0816800	
STATE / ETAT	SERIAL RELEASED	
SCALE / ÉCHELLE	2:1	

EUR C04-112-F29

## X-ON Electronics

Largest Supplier of Electrical and Electronic Components

*Click to view similar products for [Automotive Connectors](#) category:*

*Click to view products by [APTIV](#) manufacturer:*

Other Similar products are found below :

[003-018-000](#) [60403001](#) [60993906-B](#) [629515004020001](#) [M902-2131](#) [M902-2161](#) [72.330.1035.1](#) [73.353.4028.0](#) [F119300-B](#) [F166900](#)  
[F258300-B](#) [F358300-B](#) [F407400](#) [F444110](#) [F487000](#) [F509500B-B](#) [827153-1](#) [8N1515-32-24P](#) [9-1326729-8](#) [925474-1](#) [928905-1](#) [964562-4](#)  
[968782-1](#) [GT17SA-8DS-HU](#) [98891-1012](#) [98947-1016](#) [12004475-L](#) [12010290](#) [12010309-B](#) [12015454](#) [12020219-B](#) [12020308](#) [12041318-B](#)  
[12052225-L](#) [12052466](#) [12059125](#) [12064869](#) [12004327-B](#) [12010503-B](#) [12015308](#) [12015384](#) [12015909](#) [1-21030-1](#) [12041254](#) [12041318](#)  
[12047946-B](#) [12047957](#) [12047957-L](#) [12059473](#) [12066261](#)