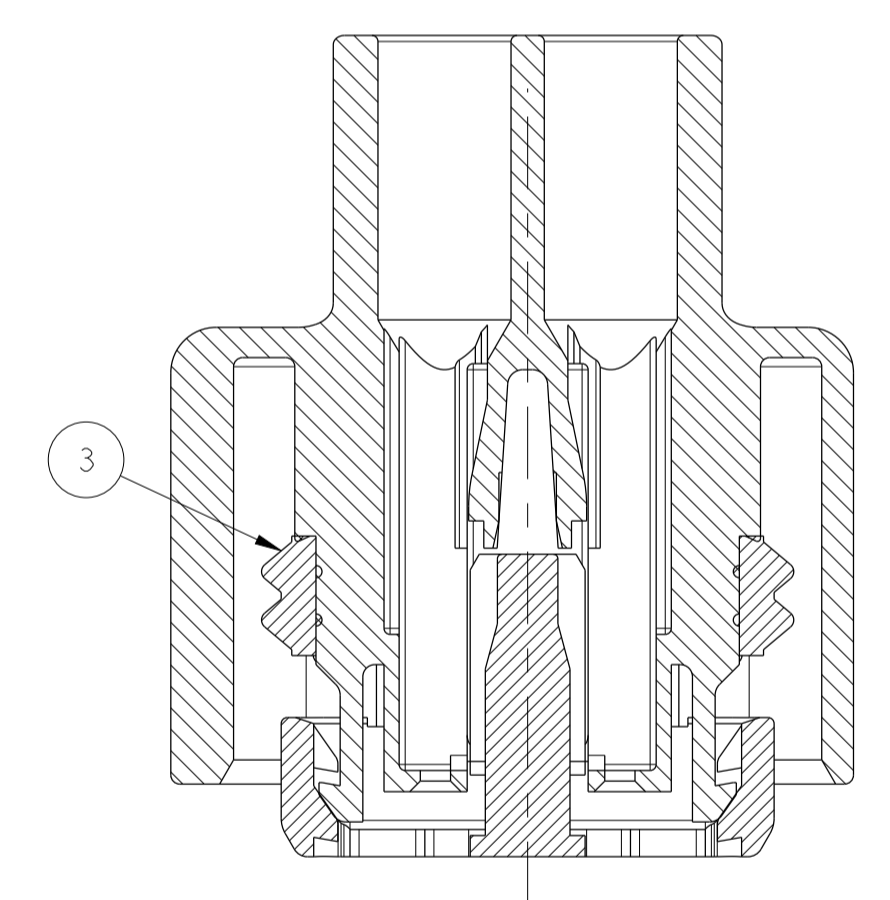
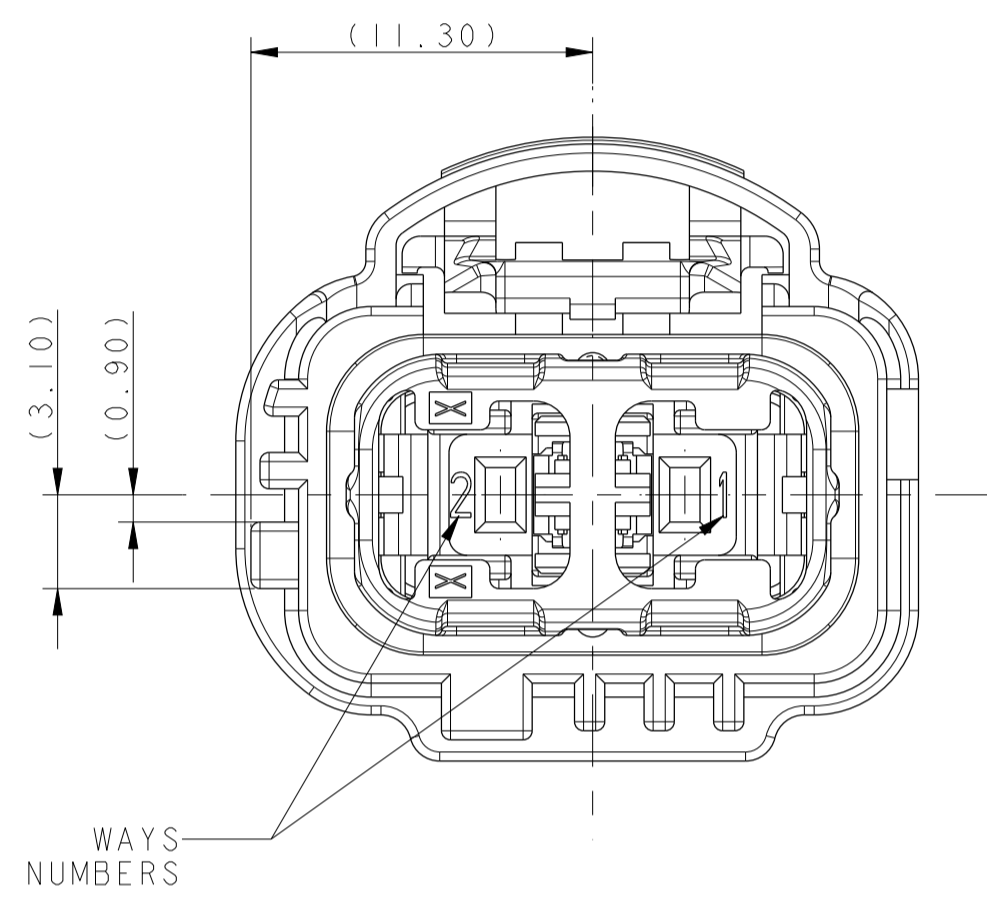
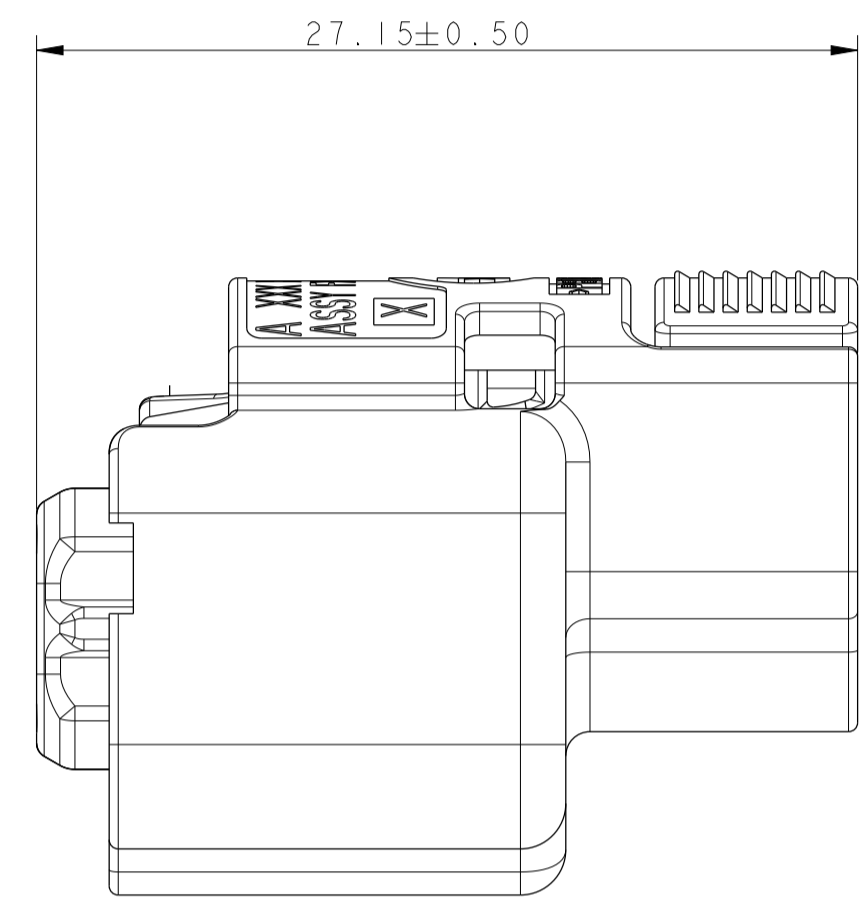
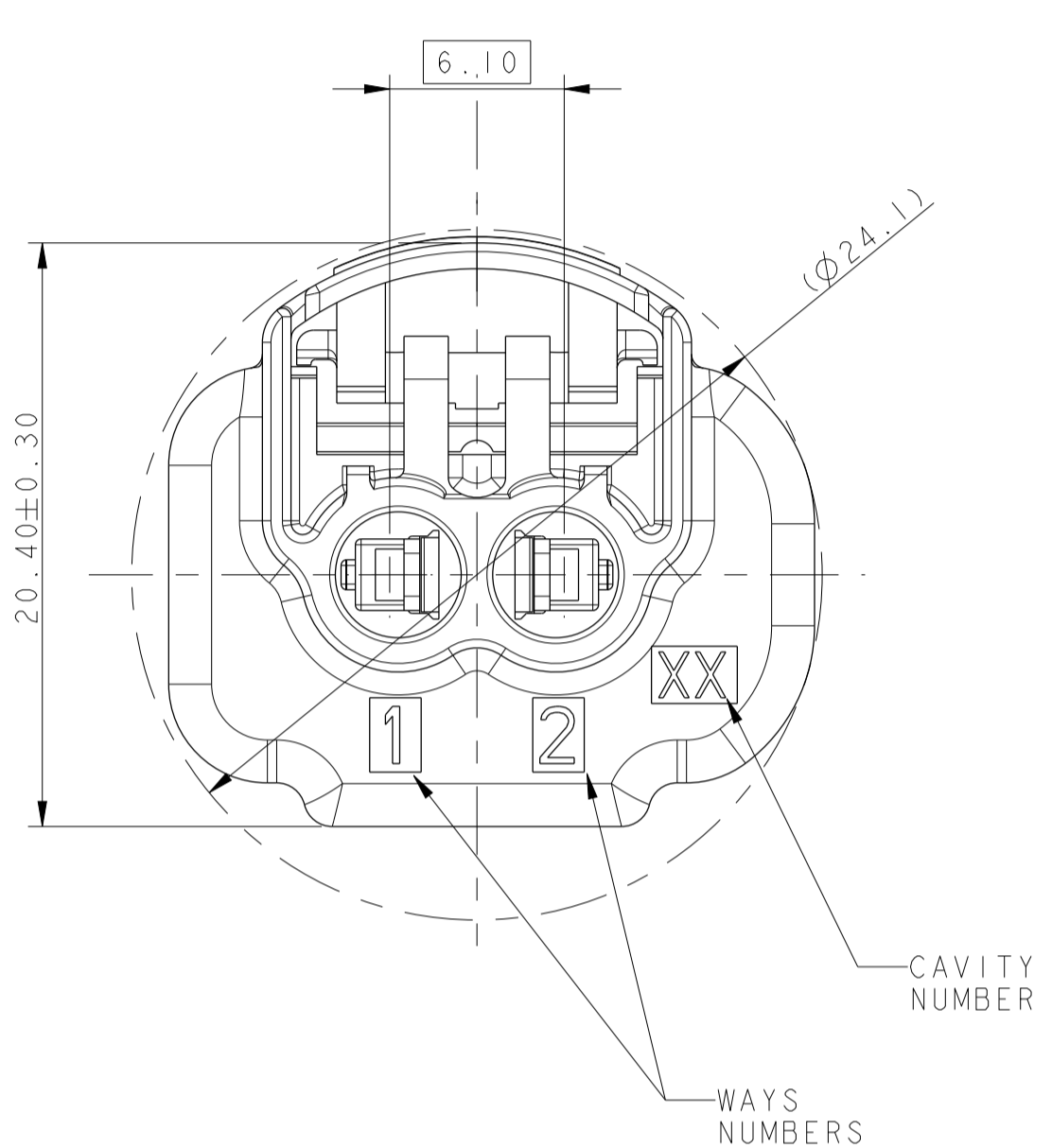


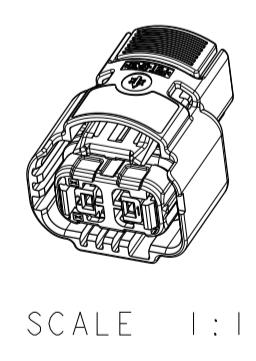
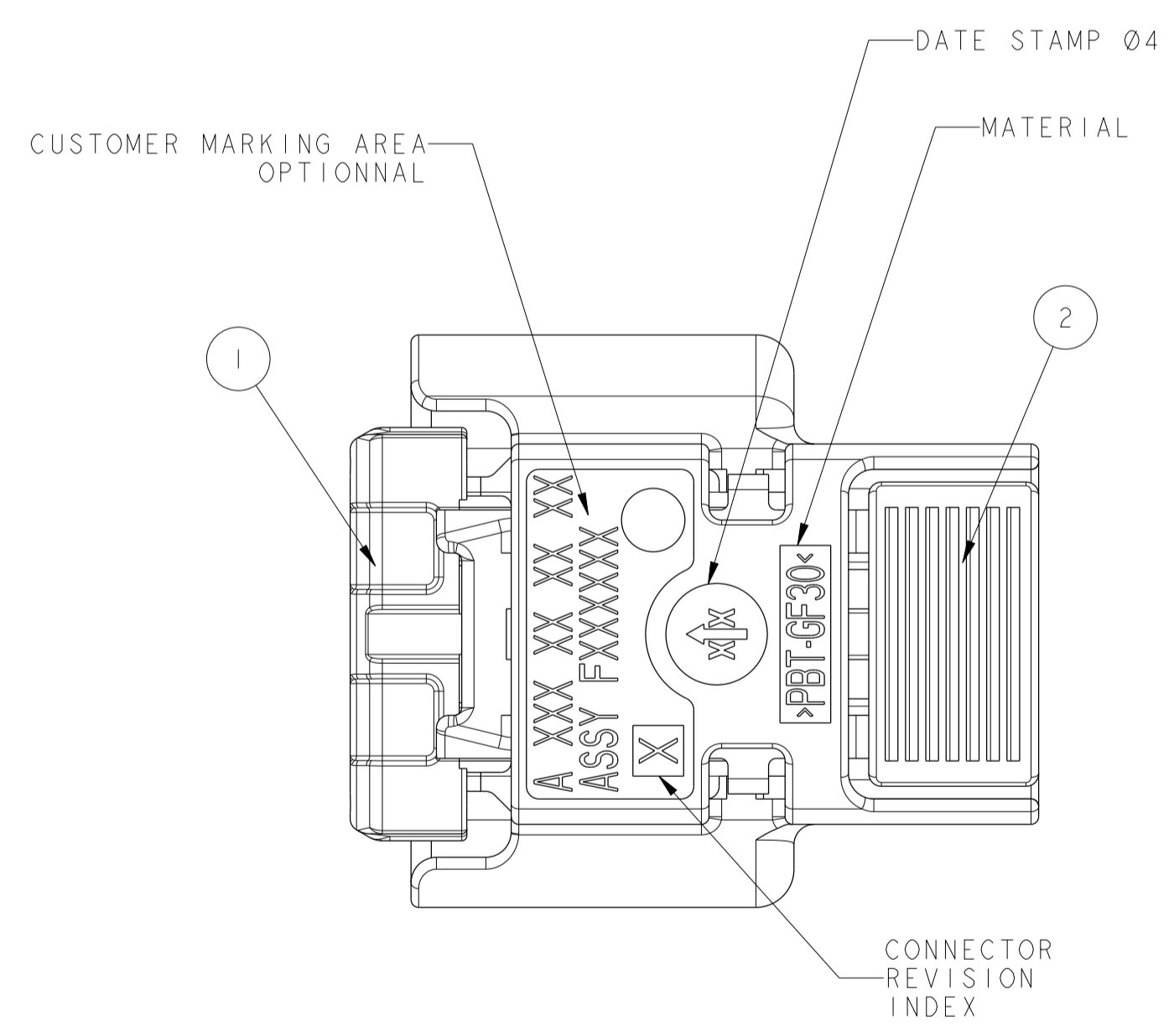
N°	NOTE	DESIGNATION
A	SPECIFICATION	FOLLOWING FCI PRODUCT SPEC. ref. FEPS 07 021 (MERCEDES / AK) FOLLOWING FCI PRODUCT SPEC. ref. FEPS 08 011 (GM / USCAR 2 rev5)
B	INTERFACE "CULOT PG18.5"	FOLLOWING IEC 34B/1225/FDIS project number: IEC 60061-1, A37, Ed. 3DB (page 1/4)
C	INTERFACE "DOUILLES & CONNECTEURS"	FOLLOWING IEC 24B/1226/FDIS project number: IEC 60061-2, A34, Ed. 3DB (page 3/4)
D	TERMINALS	GTS2-1.5 ref. F112300 gauge 0.5 to 0.85 <sup>2</sup> / F343100 gauge 1 to 1.3 <sup>2</sup> F443100 gauge 1.4 to 2 <sup>2</sup>
E	SWS	211M0007 (YELLOW) WIRE 0.5 <sup>2</sup> TO 0.85 <sup>2</sup> / 211M0008 (GREEN) WIRE 1 <sup>2</sup> TO 2 <sup>2</sup>
F	USER'S MANUAL	FOLLOWING PU 107
G	WEIGHT	5.00g

Rep	DESIGNATION	MATERIAL	COLOR
1	GRID TPA	PBT-GF15	YELLOW
2	2W FEMALE HOUSING	PBT-GF30	SEE TABLE
3	INTERFACIAL SEAL	LSR	BLUE

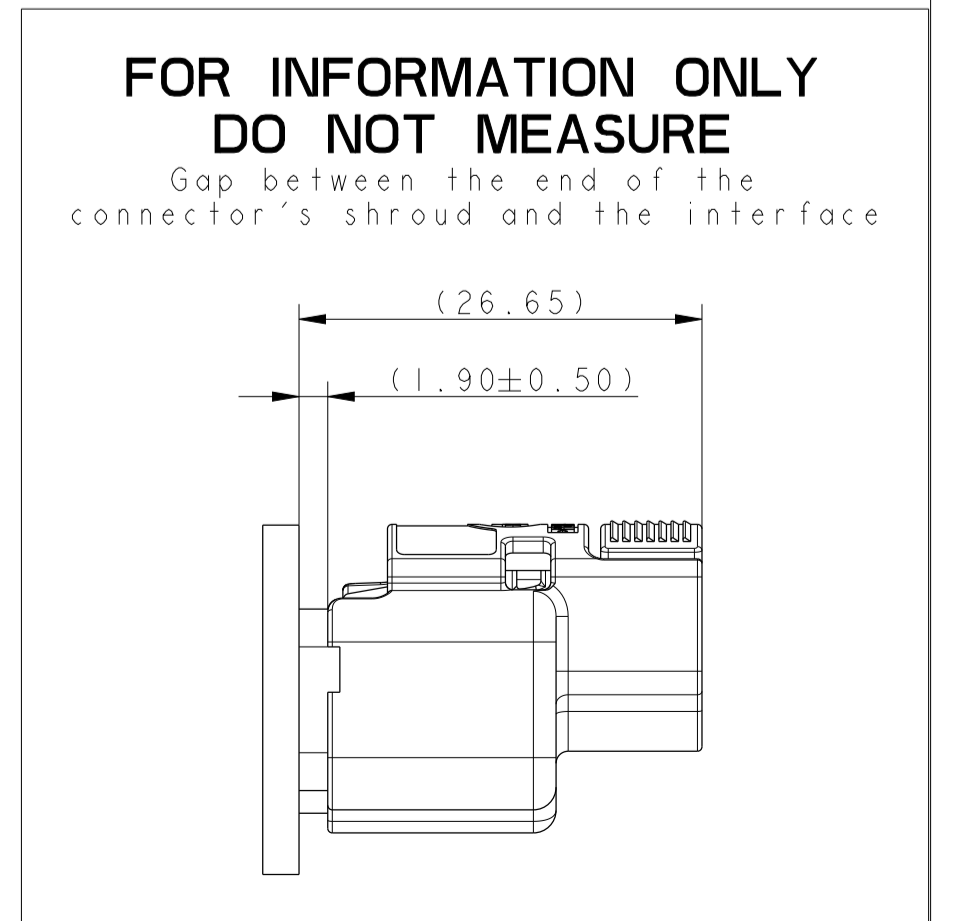
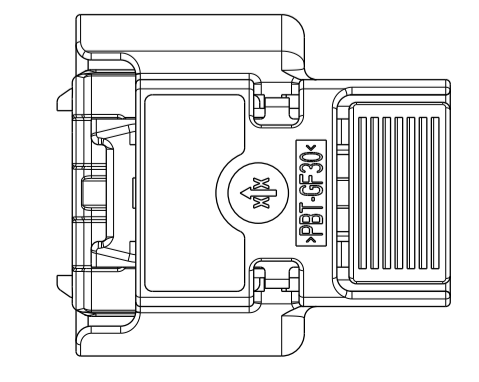
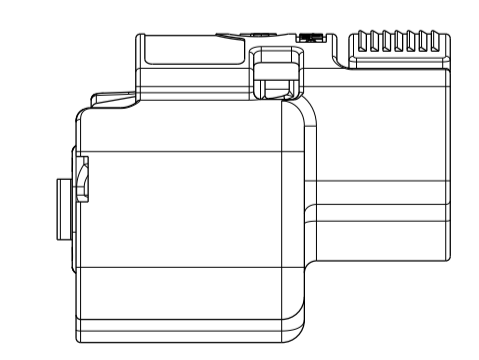
**CODING PG18.5d-3 MERCEDES  
REPRESENTED IN DELIVERY POSITION**



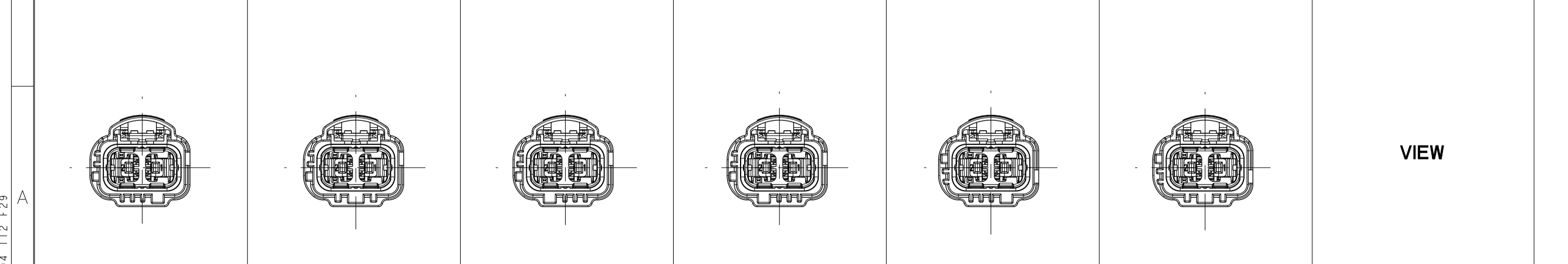
SECTION A-A



**FOR INFORMATION ONLY  
LOCKED POSITION**



PG18.5d-1	PG18.5d-2	PG18.5d-3 MERCEDES	PG18.5d-3	PG18.5d-4	PG18.5d-5	IEC REFERENCE
F487000	F587000	F687000	F826100	F787000	F887000	FCI REFERENCE
GREY	TO BE DEFINED	BLACK	BLACK	TO BE DEFINED	TO BE DEFINED	HOUSING COLOUR
B	B	B	B	B	B	FCI REVISION INDEX



ECN-NO.	POSITION	CHANGE DESCRIPTION
1	POSITION	GRIPS ADDED TO THE REAR LATCH

PROJECT SPEC.	PACKAGING SPEC.	APPLICATION SPEC.	THIS DRAWING AND ALL OTHER INFORMATION CONTAINED THEREIN IS PROPRIETARY AND THE PROPERTY OF FCI. This drawing may not be copied, reproduced or disclosed to any third party without the express written permission of FCI.	CE PLAN ET LES INFORMATIONS CONTENUES DANS CE PLAN SONT LA PROPRIÉTÉ ET LA PROPRIÉTÉ DE FCI. Ce plan ne peut être copié, reproduit ou transmis sans l'autorisation écrite de FCI.			
TOLERANCES	±0.1	±2'	MATERIAL	SEE TABLE	SURFACE FINISH	STATE OF SURFACE	SEE TABLE
CONTAINER N°	CONTR. PARTI N°	DATE	NAME	TITLE	DESIGNATION	DRAWING NUMBER	REV.
					2W 15 GTS2 FEMALE CONNECTOR	PCC0544353	F
DO NOT MEASURE DRAWING	NE PAS MESURER LE COTE	DATE	NAME	TITLE	DESIGNATION	DRAWING NUMBER	REV.
					PG185 SEALED FAMILY	PCC0544353	F

## X-ON Electronics

Largest Supplier of Electrical and Electronic Components

*Click to view similar products for [Automotive Connectors](#) category:*

*Click to view products by [APTIV](#) manufacturer:*

Other Similar products are found below :

[003-018-000](#) [60403001](#) [60993906-B](#) [629515004020001](#) [M902-2131](#) [M902-2161](#) [72.330.1035.1](#) [73.353.4028.0](#) [F119300-B](#) [F166900](#)  
[F258300-B](#) [F358300-B](#) [F407400](#) [F444110](#) [F487000](#) [F509500B-B](#) [827153-1](#) [8N1515-32-24P](#) [9-1326729-8](#) [925474-1](#) [928905-1](#) [964562-4](#)  
[968782-1](#) [GT17SA-8DS-HU](#) [98891-1012](#) [98947-1016](#) [12004475-L](#) [12010290](#) [12010309-B](#) [12015454](#) [12020219-B](#) [12020308](#) [12041318-B](#)  
[12052225-L](#) [12052466](#) [12059125](#) [12064869](#) [12004327-B](#) [12010503-B](#) [12015308](#) [12015384](#) [12015909](#) [1-21030-1](#) [12041254](#) [12041318](#)  
[12047946-B](#) [12047957](#) [12047957-L](#) [12059473](#) [12066261](#)