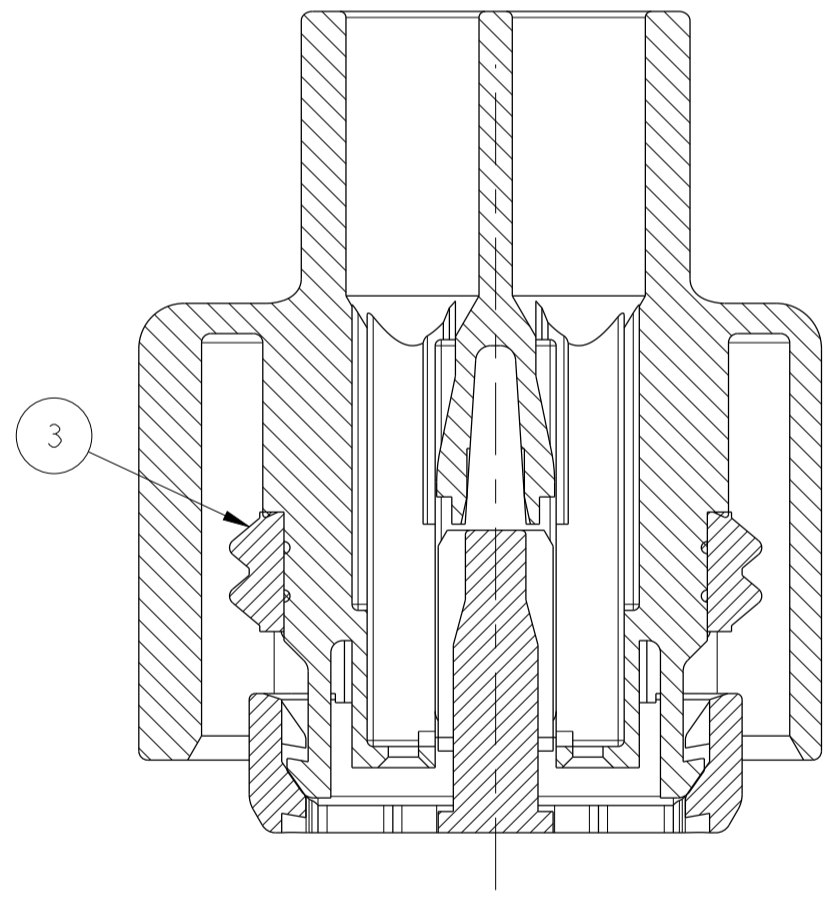
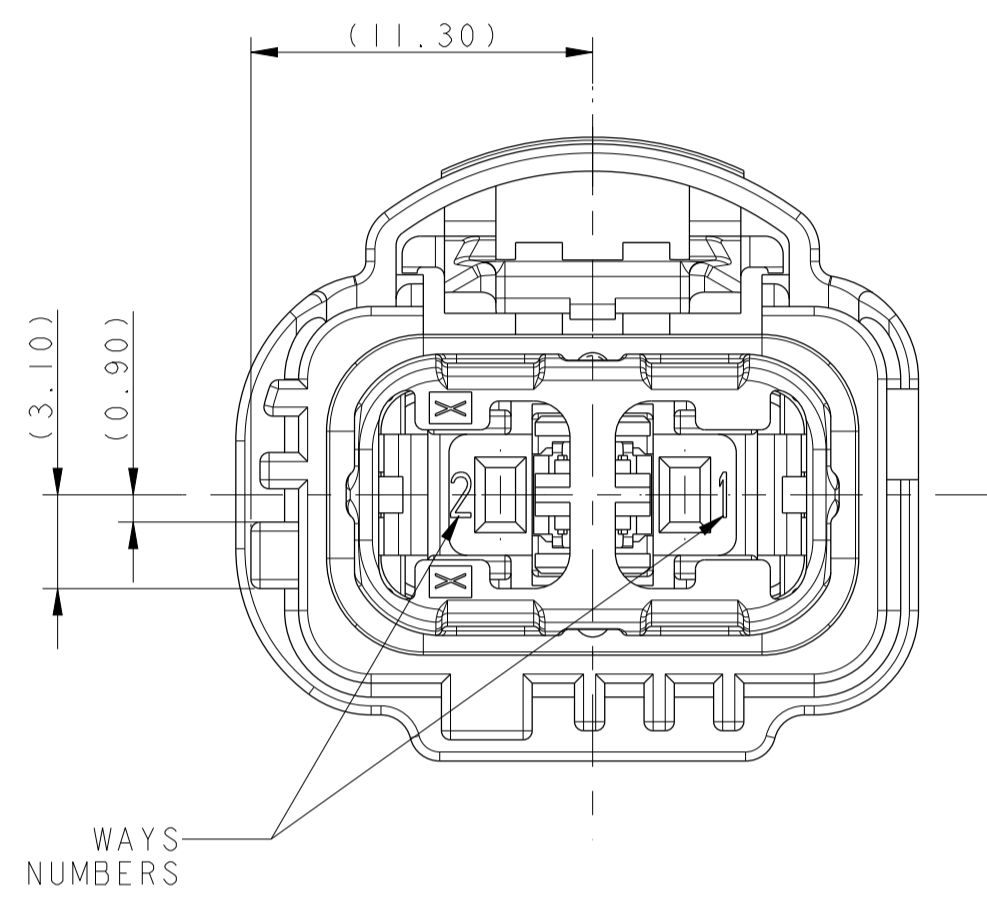
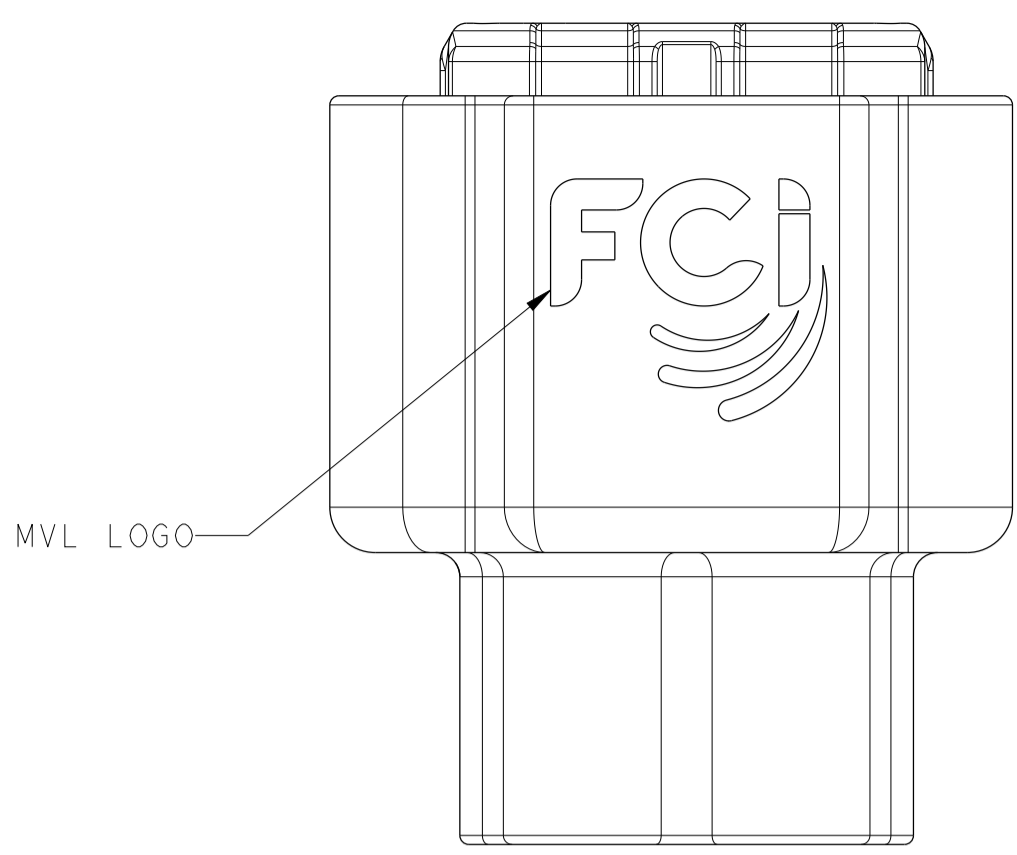
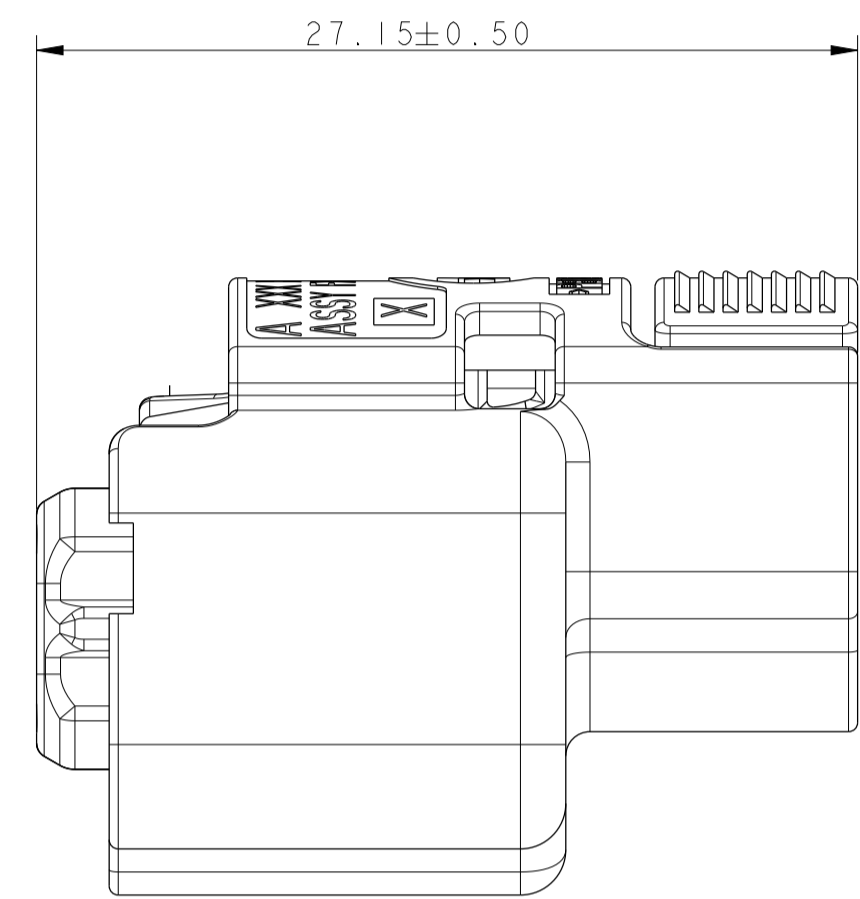
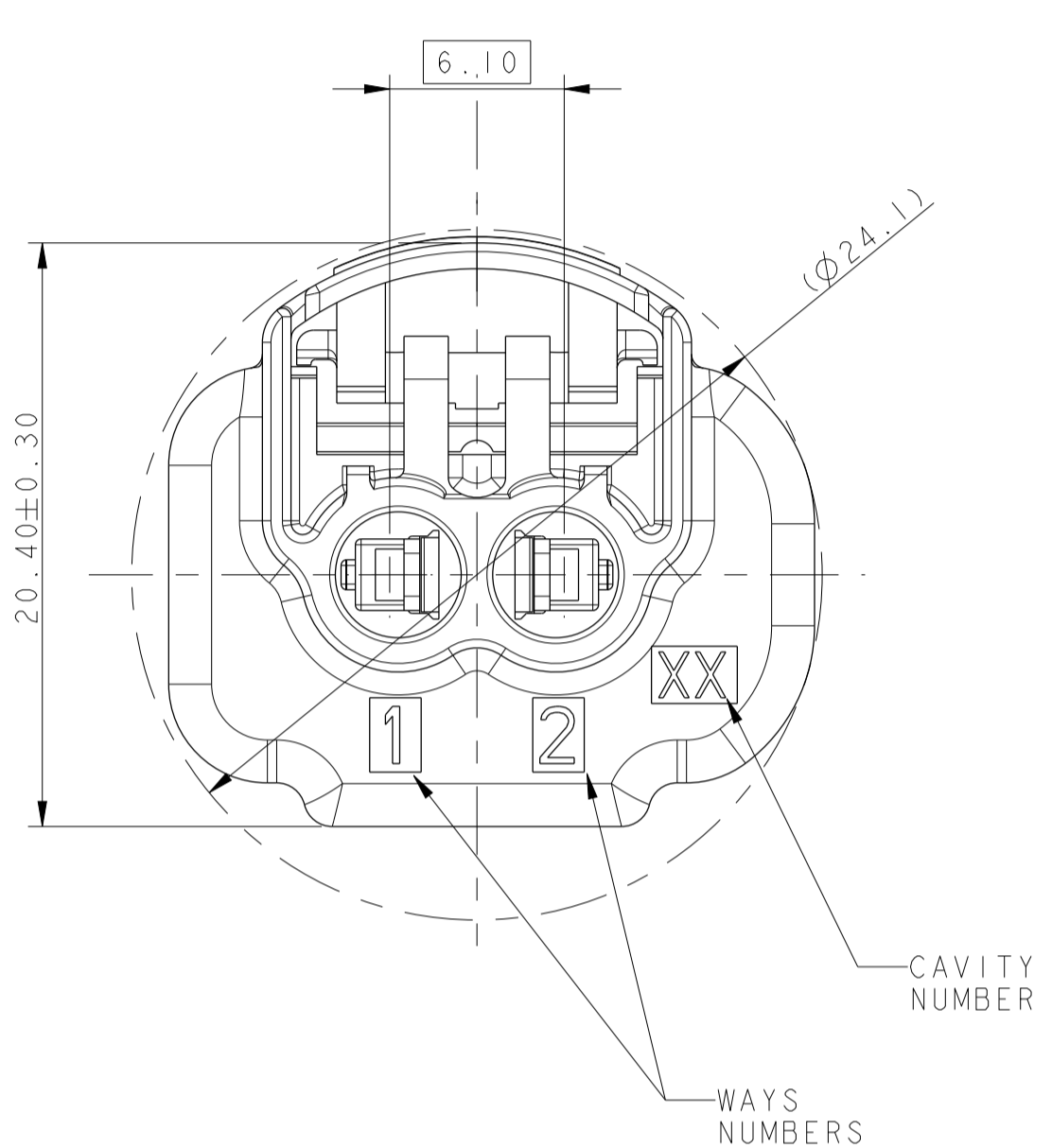


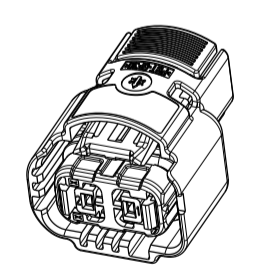
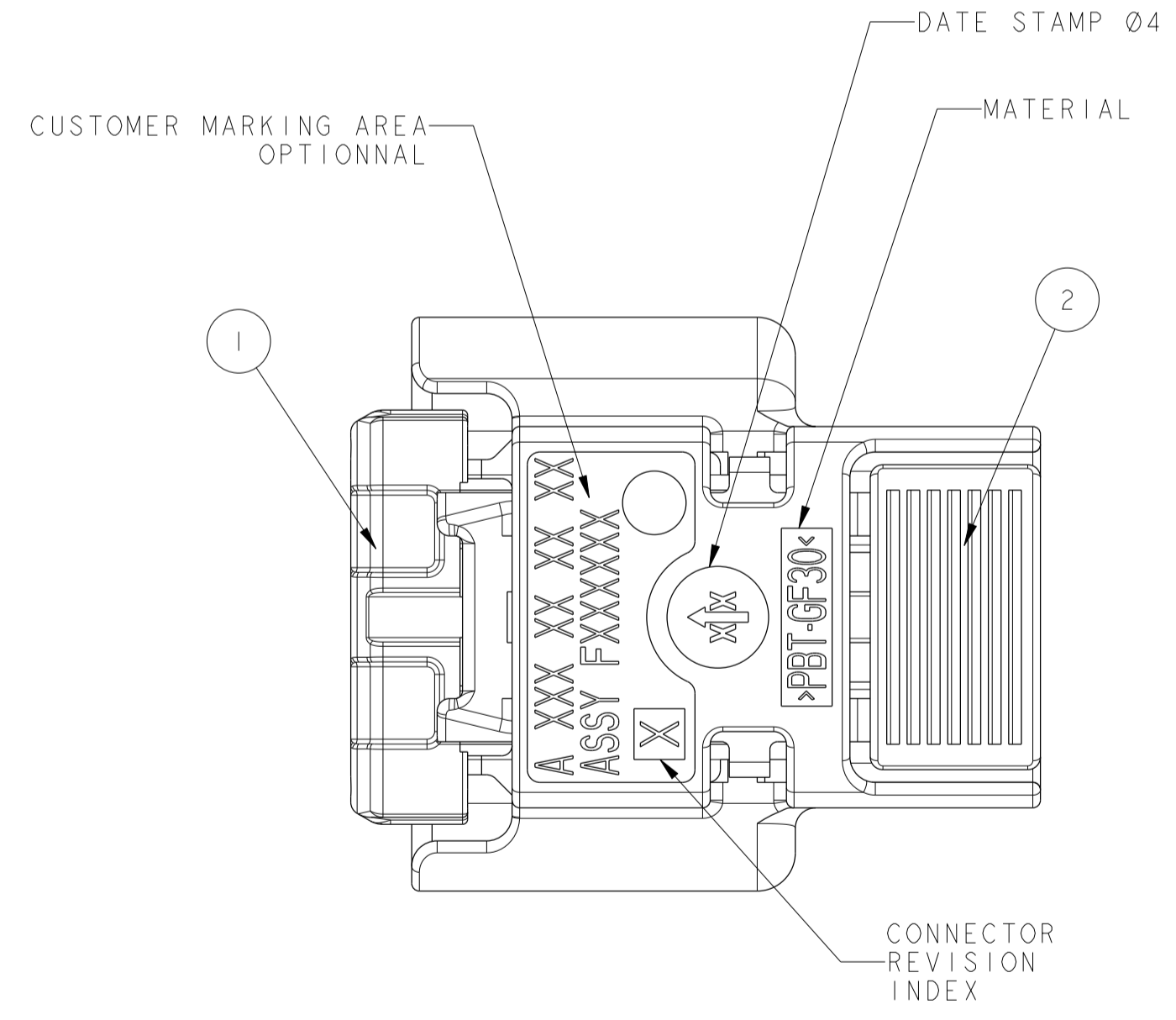
N°	NOTE	DESIGNATION
A	SPECIFICATION	FOLLOWING MVL PRODUCT SPEC. ref. FEPS 07 021 (MERCEDES / AK) FOLLOWING MVL PRODUCT SPEC. ref. FEPS 08 011 (GM / USCAR 2 rev5)
B	INTERFACE "CULOT PG18.5"	FOLLOWING IEC 34B/1225/FDIS project number: IEC 60061-1, A37, Ed. 3DB (page 1/4)
C	INTERFACE "DOUILLES & CONNECTEURS"	FOLLOWING IEC 24B/1226/FDIS project number: IEC 60061-2, A34, ED. 3DB (page 3/4)
D	TERMINALS	GTS2-1.5 ref. F112300 gauge 0.5 to 0.85 ² / F343100 gauge 1 to 1.3 ² F443100 gauge 1.4 to 2 ²
E	SWS	211M0007 (YELLOW) WIRE 0.5 ² TO 0.85 ² / 211M0008 (GREEN) WIRE 1 ² TO 2 ²
F	USER'S MANUAL	FOLLOWING PU 107
G	WEIGHT	5.00g

Rep	DESIGNATION	MATERIAL	COLOR
1	GRID TPA	PBT-GF15	YELLOW
2	2W FEMALE HOUSING	PBT-GF30	SEE TABLE
3	INTERFACIAL SEAL	LSR	BLUE

CODING PG18.5d-3 MERCEDES REPRESENTED IN DELIVERY POSITION

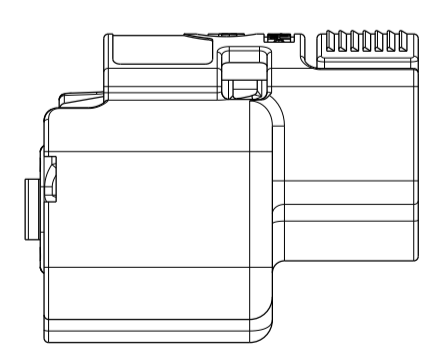


SECTION A-A

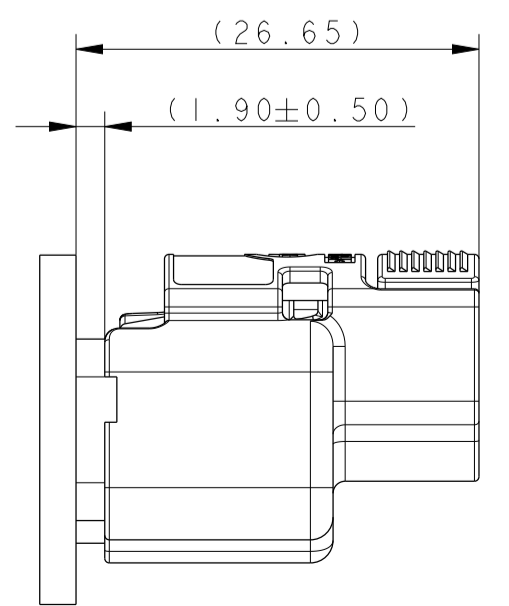


SCALE 1:1

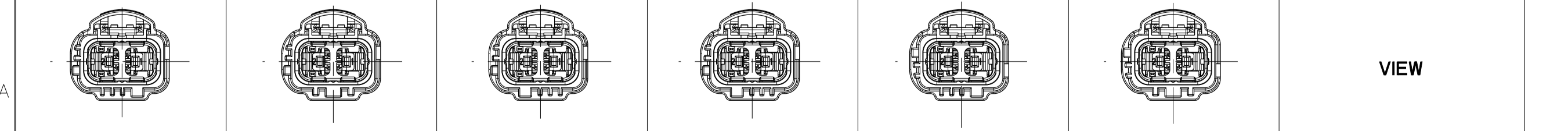
FOR INFORMATION ONLY
LOCKED POSITION



FOR INFORMATION ONLY
DO NOT MEASURE
Gap between the end of the connector's shroud and the interface



PG18.5d-1	PG18.5d-2	PG18.5d-3 MERCEDES	PG18.5d-3	PG18.5d-4	PG18.5d-5	IEC REFERENCE
F487000	F587000	F687000	F826100	F787000	F887000	MVL REFERENCE
13693815	33522241	13712925	13873770	33522242	33522243	DELPHI REFERENCE
GREY	TO BE DEFINED	BLACK	BLACK	TO BE DEFINED	TO BE DEFINED	HOUSING COLOUR
B	B	B	B	B	B	MVL REVISION INDEX
02	01	02	02	01	01	DELPHI REVISION INDEX



ECN-NO. POSITION		CHANGE DESCRIPTION	
DELPHI P/N ADDED			
GRIPS ADDED TO THE REAR LATCH			
<small>PROJECT SPEC. SPECIF. PRODUIT</small> <small>PACKAGING SPEC. SPECIF. EMBALLAGE</small> <small>APPLICATION SPEC. SPECIF. APPLICATION</small> <small>COPYRIGHT DELPHI CORPORATION AND/OR ITS AFFILIATES. ALL RIGHTS RESERVED. REVISED THIS DRAWING IS THE PROPERTY OF DELPHI CORPORATION AND CONTAINS DELPHI CONFIDENTIAL INFORMATION. THE REPRODUCTION, DISTRIBUTION AND RELEASE OF THIS DOCUMENT OR ITS CONTENTS WITH OR WITHOUT THE WRITTEN PERMISSION OF DELPHI CORPORATION IS PROHIBITED. LE DROIT DE PROPRIÉTÉ DE DELPHI CORPORATION ET/OU SES AFFILIÉES EST RÉSERVÉ. CE PLAN EST LA PROPRIÉTÉ DE DELPHI CORPORATION ET CONTIEN DES INFORMATIONS CONFIDENTIELLES. LA RÉPRODUCTION, LA DISTRIBUTION ET LA RÉVÉLATION DE CE DOCUMENT OU DE SES CONTENU SANS LA PERMISSE ÉCRITE DE DELPHI CORPORATION EST PROHIBÉE.</small>			
TOLERANCES	±0.1	±2*	MATÉRIEL : <small>ÉTAT DE SURFACE</small>
CONTRÔLE N°	DATE	NOM	TITRE
DO NOT MEASURE DRAWING	DATE	NOM	TITRE
CREATED BY	DATE	NOM	TITRE
MODIFIED BY	DATE	NOM	TITRE
APPROVED BY	DATE	NOM	TITRE
FILE NAME	PROJECT	DESIGNATION	DRAWING NUMBER
PCC0544353	PG185	2W 15 GTS2 FEMALE CONNECTOR	PCC0544353
			DELPHI SERIAL RELEASED

X-ON Electronics

Largest Supplier of Electrical and Electronic Components

Click to view similar products for [Automotive Connectors](#) category:

Click to view products by [APTIV](#) manufacturer:

Other Similar products are found below :

[003-018-000](#) [60403001](#) [60993906-B](#) [629515004020001](#) [M902-2131](#) [M902-2161](#) [72.330.1035.1](#) [73.353.4028.0](#) [F119300-B](#) [F166900](#)
[F258300-B](#) [F358300-B](#) [F407400](#) [F444110](#) [F487000](#) [F509500B-B](#) [827153-1](#) [8N1515-32-24P](#) [9-1326729-8](#) [925474-1](#) [928905-1](#) [964562-4](#)
[968782-1](#) [GT17SA-8DS-HU](#) [98891-1012](#) [98947-1016](#) [12004475-L](#) [12010290](#) [12010309-B](#) [12015454](#) [12020219-B](#) [12020308](#) [12041318-B](#)
[12052225-L](#) [12052466](#) [12059125](#) [12064869](#) [12004327-B](#) [12010503-B](#) [12015308](#) [12015384](#) [12015909](#) [1-21030-1](#) [12041254](#) [12041318](#)
[12047946-B](#) [12047957](#) [12047957-L](#) [12059473](#) [12066261](#)