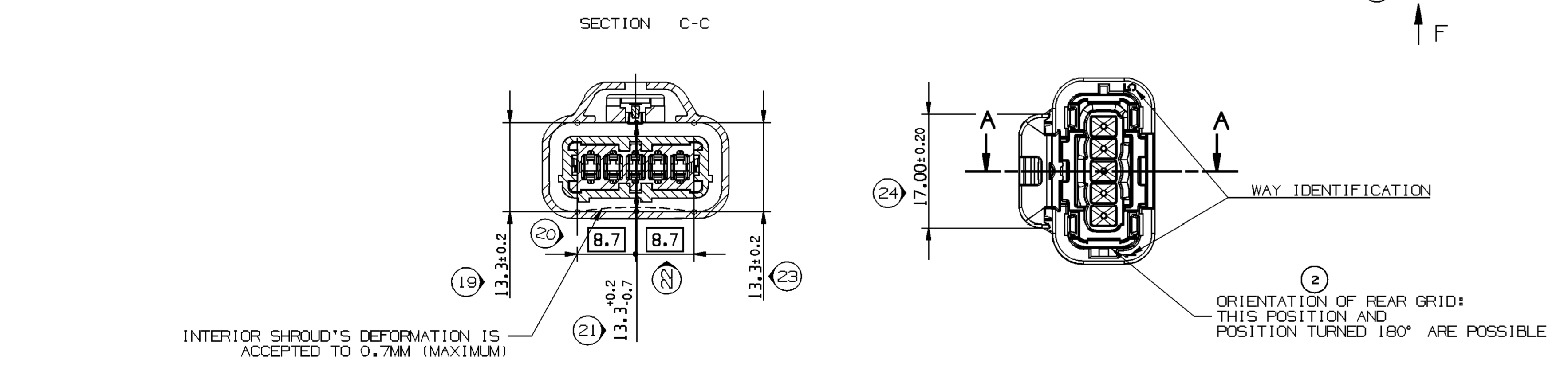
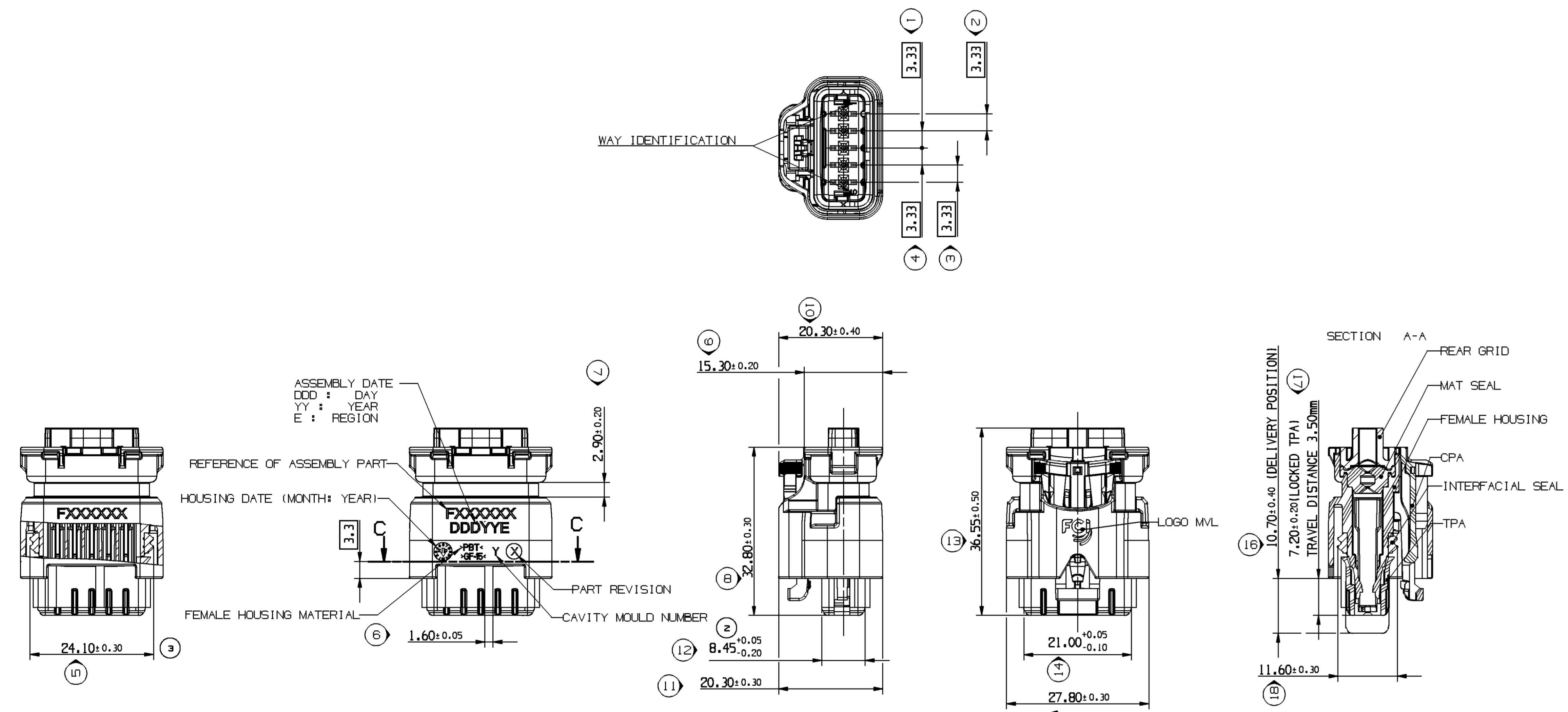


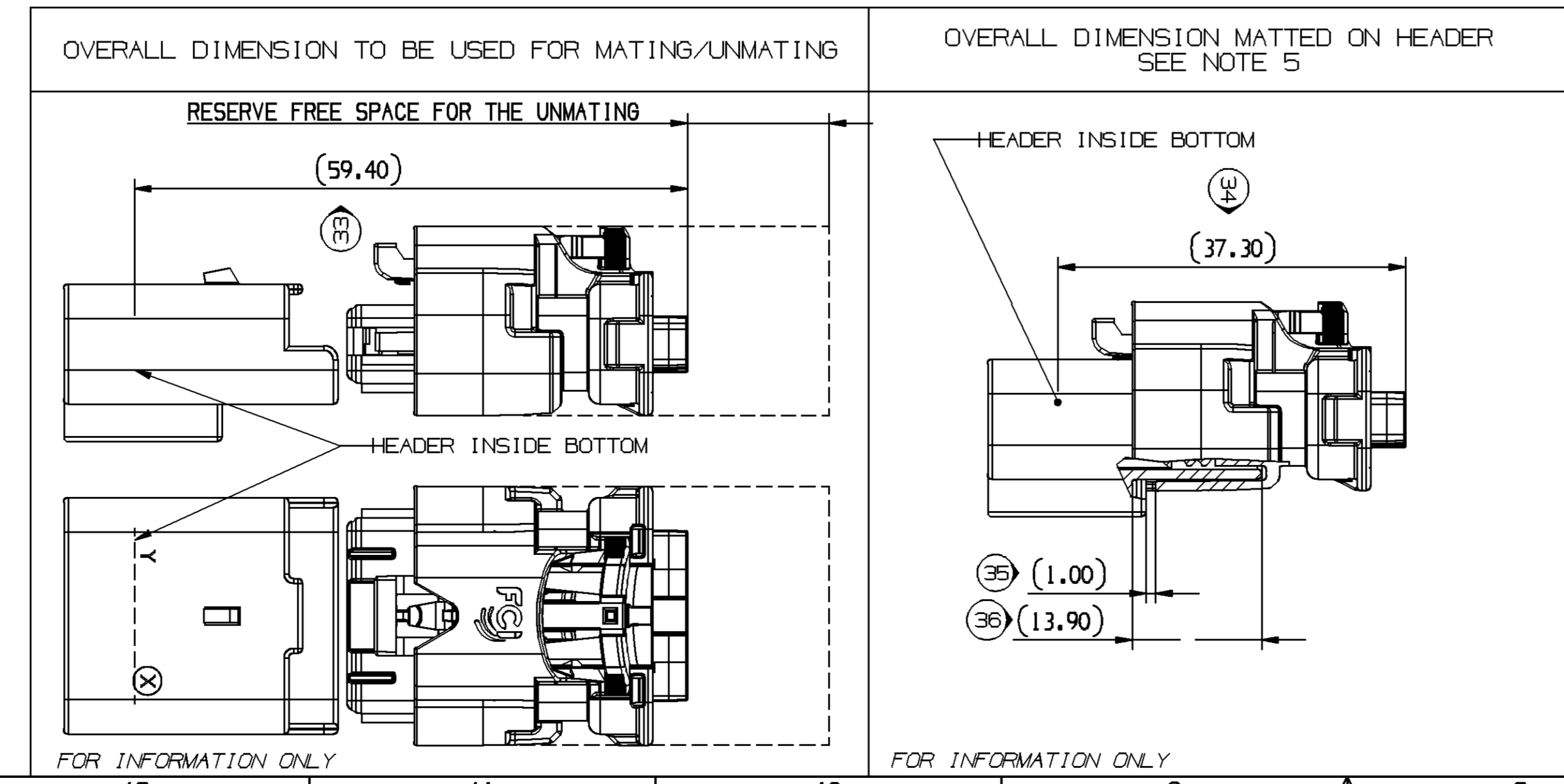
NOTE	SPECIFICATIONS
1	USER'S MANUAL MVL'S REFERENCE: PWB4 - ASSOCIATED PRODUCTS (CONTACT, PLUG, ...) ARE DEFINED IN THE USER'S MANUAL.
2	WIRE INSULATION DIAMETER MIN: 1.25 MAX: 2.00
3	DELIVERED CONNECTOR WEIGHT : 12g
4	FEMALE/MALE CONNECTOR MATING FORCE F : 75 N
5	COMPATIBLE WITH INTERFACE DRAWING 211FT0289 Rev. C

REAR GRID	S483700	33512022	PBT GF 15%	BLACK
FEMALE HOUSING	S173700	33511995	PBT GF 15%	BLACK
	S504700	33512002		BLACK
	S404700	33512003		BLUE
	S304700	33512004	PBT GF 15%	GREY
TPA	S604700	33512005		RED
	S704700	33512006		PURPLE
	S683700	33512015	PBT GF 15%	ORANGE
CPA	S683700	33512015	PBT GF 15%	ORANGE
MAT SEAL	C493700	33503346	SILICONE HARDNESS 35±5 SHORE A	GREY
INTERFACIAL SEAL	C593700	33503349	SILICONE HARDNESS 50±5 SHORE A	BLUE
DESCRIPTION	MVL'S SERIAL REF.	DELPHI'S SERIAL REF. (2)	MATERIAL	COLOUR

DATE	STG	REV	IV	PCHS	ZONE	REVISION HISTORY	AUTH	DR	APVD	1	2
10JUN14	R	01	-	-	-	DRAWING NUMBER PCC080248I BECAME 13952561-0362				DRL	DRL
03JUL14	R	02	-	-	-	NEWS OF REALIZATION OF REAR GRID ARE SUPPRESSED DELPHI REFERENCE ADDED IN THE TABLE NOTE ADDED FOR REAR GRID DIMENSION 8.45±0.05 BECAME 8.45±0.05±0.2				NSK	SANUP/DIAZ
01AUI14	R	03	-	-	-	UPDATED DIMENSION NO.5 - 24.10±0.30 FOR INTERFACIAL SEAL ASSEMBLY				NSK	SANUP/DIAZ



VIEW F	TOLERANCES ±0.05	SCALE 1:1	COLOUR CODING	PART NUMBER	PART REVISION	MVL	DELPHI
				F933700	F043700		
A	A			33511729	33511730		
01	01						
				F833700	F733700	F633700	
A	A	A		13949300	13962774	13993671	
01	01	01					



3D VIEW

SCALE 1:1
DRAWN GREY CODING

UNLESS OTHERWISE SPECIFIED

GENERAL TOLERANCES ACCORDING TO: 20.1 ±0.1

GD&T ACCORDING TO:

REFERENCE: MVL DWG - PCC080248I

FIRST ANGLE PROJECTION

DO NOT SCALE

USE MATH DATA

SHARP CORNER TOLERANCE

GO DIM TO CHECK COTES A VERIFIER

1) DIM FOR HELP COTES POUR INFO

2) THERMATIC DIM COTES THERMIQUES

DELPHI

DELPHI PACKARD ELECTRICAL/ELECTRONIC ARCHITECTURE

MADE IN CHINA

COPYRIGHT 2013 DELPHI CORPORATION AND/OR ITS AFFILIATES. ALL RIGHTS RESERVED. REVISED 2014

THIS DRAWING IS THE PROPERTY OF DELPHI CORPORATION AND CONTAINS DELPHI CONFIDENTIAL INFORMATION. THE REPRODUCTION, DISTRIBUTION AND UTILIZATION OF THIS DOCUMENT OR ITS RELATED CAD DATA, AS WELL AS COMMUNICATION OF ANY CONTENT TO OTHERS, WITHOUT EXPRESS AUTHORIZATION, IS PROHIBITED.

CE PLAN EST LE PROPRIETE DE DELPHI CORPORATION ET CONTIENT DES INFORMATIONS DELPHI CONFIDENTIELLES. LA REPRODUCTION, LA DISTRIBUTION ET L'UTILISATION DE CE DOCUMENT OU DE SES DONNEES ASSOCIEES CAD, AINSI QUE LA COMMUNICATION DE TOUT CONTENU A AUTRUI SANS AUTORISATION EXPRESSE EST INTERDITE.

DR	N SURESH	DATE	01AUI14
APVD1	S ANUP		01AUI14
APVD2	LYDIE DIAZ		01AUI14
APVD3	PASCAL MENARD		01AUI14
APVD4			
APVD5			

SUBSTANCES OF CONCERN AND RECYCLED CONTENT PER DELPHI (DPA0001) MATIERES PROHIBITES ET CONTENU RECYCLABLE SELON DELPHI (L00001)

MATERIAL: SEE CHART

DRAWING NAME: 5-WAY FEMALE CONNECTOR SENSOMATE SICMA 1.5

DRAWING NUMBER: 13952561

SIZE: A0 SCALE: 2:1 FRAME NO: 1 OF 1 SHEET NO: 1 OF 1 STG: REV: IV PCHS: R 03

X-ON Electronics

Largest Supplier of Electrical and Electronic Components

Click to view similar products for [Automotive Connectors](#) category:

Click to view products by [APTIV](#) manufacturer:

Other Similar products are found below :

[003-018-000](#) [60993906-B](#) [M902-2131](#) [M902-2161](#) [M902-2344](#) [72.330.1035.1](#) [73.353.4028.0](#) [F166900](#) [F358300-B](#) [F407400](#) [776880-1](#)
[827153-1](#) [8N1515-32-24P](#) [9-1326729-8](#) [925474-1](#) [928905-1](#) [964562-4](#) [968782-1](#) [98891-1012](#) [12004475-L](#) [12020308](#) [12041318-B](#)
[12052466](#) [12064869](#) [12015909](#) [1-21030-1](#) [12041254](#) [12041318](#) [12047946-B](#) [12110546-B](#) [12131792](#) [12084688](#) [12092346](#) [HD34-18-14PT](#)
[HD46-24-23SN-059](#) [HDB36-24-16PN-059](#) [HDP26-24-9SE-L015](#) [12185280](#) [12185550](#) [12336-12](#) [12191172-B](#) [12S](#) [13545280](#) [13577943](#)
[13681974](#) [13737722-B](#) [13830674](#) [13832576](#) [13849772](#) [13542772](#)