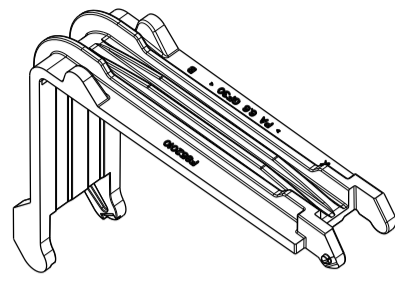


VUE ISOMETRIQUE / ECHELLE 1:1
ISOMETRIC VIEW / SCALE 1:1

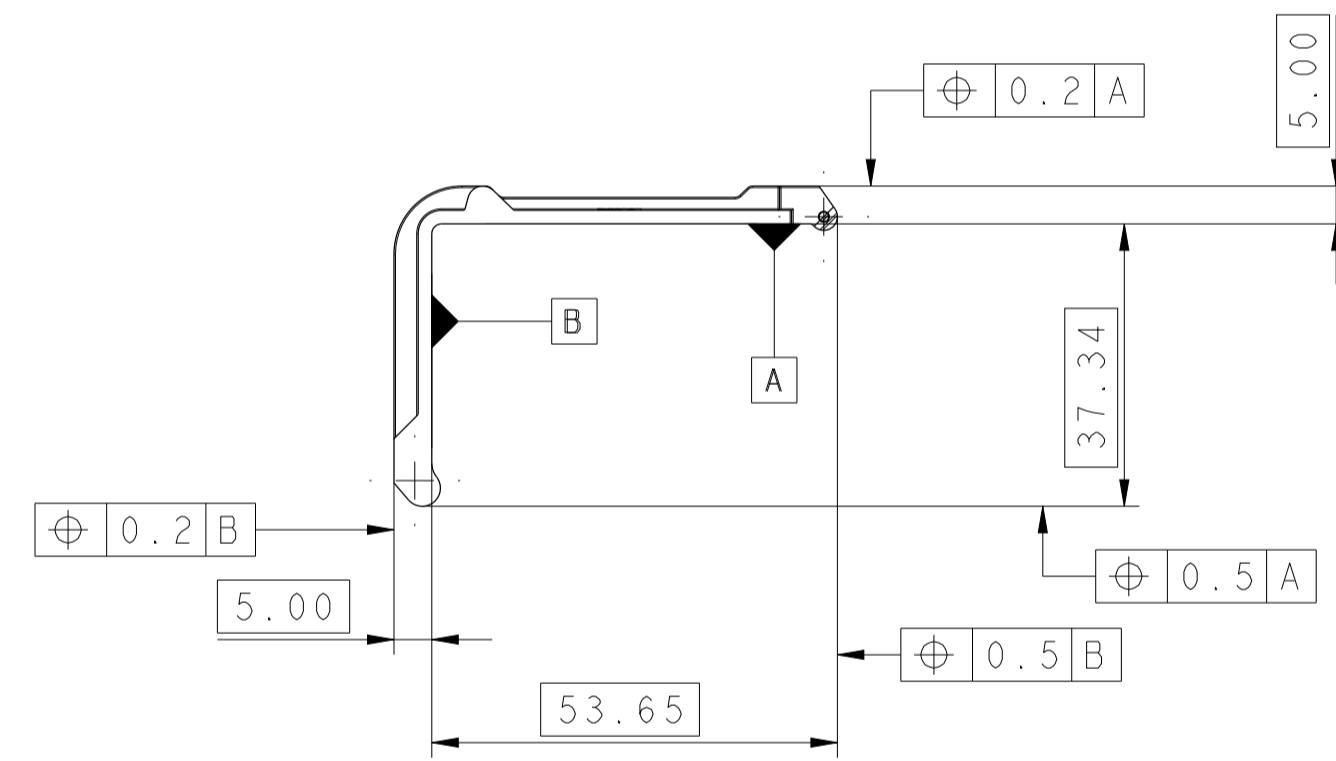
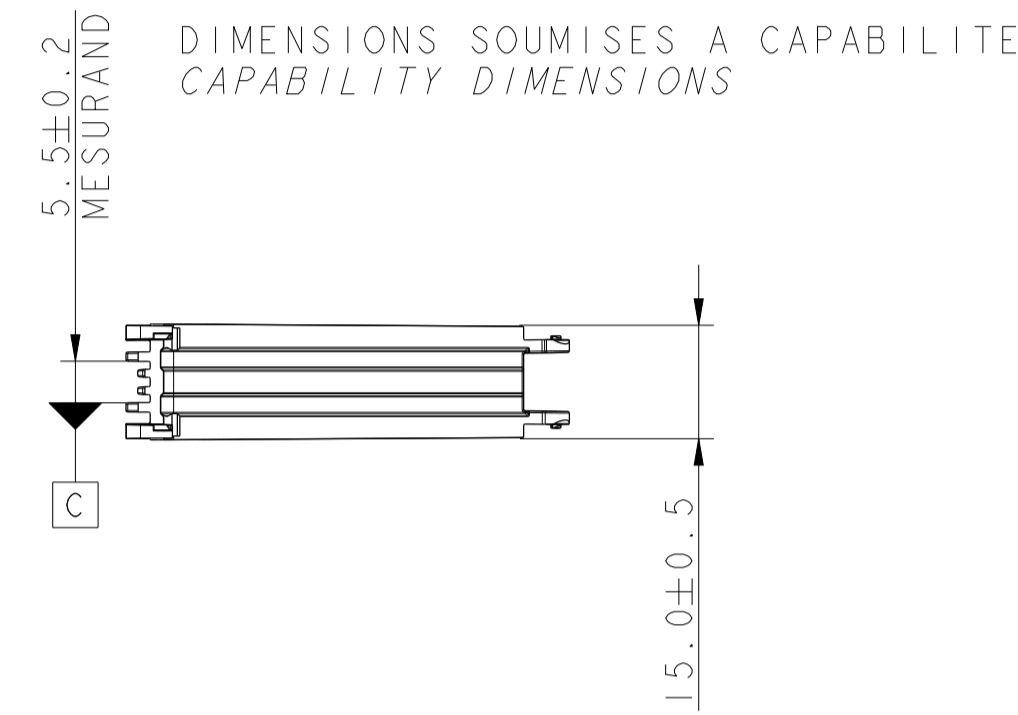


NOTA :

- 1 - CAHIER DES CHARGES FCI : FE PS 12 006
 - CLASSE DE TEMPERATURE DU CONNECTEUR : -40°C ; +125°C
 - CLASSE DE VIBRATION : PROFIL SUR CAISSE (3.9G RMS / DE 5 A 1000HZ)
- 3 - CONDITIONNEMENT : FE PA 12-007
- 4 - DOSSIER DE MISE EN ŒUVRE : PUI58
- 5 - CE PLAN EST UN EXTRAIT DES PLANS DE DEFINITIONS
ON FERA REFERENCE POUR TOUT LITIGE AUX PLANS DE DEFINITIONS
- 6 - EFFORT NECESSAIRE AU CLIPAGE : 20N MINI A 50N MAXI
- 7 - FORCE DE RETENTION DU CLAMP (SUR 1 CHARNIERE SEULEMENT) 20N MINI

NOTE :

- 1 - FCI PRODUCT SPECIFICATIONS : FE PS 12 006
 - TEMPERATURE CLASS OF THE CONNECTOR : -40°C ; +125°C
 - VIBRATION CLASS : BODY PROFIL (3.9G RMS / FROM 5 TO 1000HZ)
- 3 - PACKAGING : FE PA 12-007
- 4 - HANDLING MANUAL : PUI58
- 5 - THIS DRAWING IS AN EXTRACT OF THE DETAILS DRAWINGS
IN CASE OF CONFLICT REFERED TO IT
- 6 - EFFORT NECESSARY FOR CLIPPING : 20N MINI TO 50N MAXI
- 7 - CLAMP RETENTION FORCE (ON 1 HINGE ONLY) 20N MINI



PRODUITS ASSOCIES (POUR INFORMATION) ASSOCIATED PARTS (FOR INFORMATION)	
	REFERENCE FCI FCI PART-N°
PORTE-CLIPS 2V RCS890 CODE I 2W RCS890 KEY I FEMALE CONNECTOR	F922210

REFERENCE FCI FCI PART NUMBER	COULEUR JOINT SEAL COLOR	MATIERE JOINT SEAL MATERIAL	POIDS MASS
F852010	NOIR BLACK	PA 6.6 GF30	0.005 kg±10%

ECN-NO. NUMERO ECH		POSITION	CHANGE DESCRIPTION MODIFICATION
PROJECT SPEC. SPECIF. PRODUIT		PACKAGING SPEC. SPECIF. EMBALLAGE	APPLICATION SPEC. SPECIF. APPLICATION
TOLERANCES TOLERANCES		±0.1	±2*
MATERIAL : MATIERE :		SEE TABLE	STATE OF SURFACE ETAT DE SURFACE
DO NOT MEASURE DRAWING NE PAS MESURER LE DRESSAGE		ECO NO. : CODE N. C.	ECO EX. : F E
DATE	NAME NOM	TITLE DESIGNATION	DRAWING NUMBER REF. PLAN
20180216	Jean MEYER	CLAMP	PCC0773524
20180216	J BELLAARD	PROJECT	STATUS ETAT
20180217	Jean MEYER	2W RCS890 POWER CONNECTOR	PART NUMBER REF. ARTICLE
20180218	Fredric MENEZ	ESR NO. NUMERO ESR	REV. IND.
FILE NAME NOM DE FICHER		PCC0773524	SCALE ECH.
			1:1

X-ON Electronics

Largest Supplier of Electrical and Electronic Components

Click to view similar products for [Automotive Connectors](#) category:

Click to view products by [APTIV](#) manufacturer:

Other Similar products are found below :

[003-018-000](#) [60403001](#) [60993906-B](#) [M902-2131](#) [M902-2161](#) [72.330.1035.1](#) [73.353.4028.0](#) [F119300-B](#) [F166900](#) [F258300-B](#) [F358300-B](#)
[F407400](#) [F444110](#) [F487000](#) [F509500B-B](#) [827153-1](#) [8N1515-32-24P](#) [9-1326729-8](#) [925474-1](#) [928905-1](#) [964562-4](#) [968782-1](#) [GT17SA-8DS-](#)
[HU](#) [98891-1012](#) [98947-1016](#) [12004475-L](#) [12010290](#) [12010309-B](#) [12015454](#) [12020219-B](#) [12020308](#) [12041318-B](#) [12052225-L](#) [12052466](#)
[12059125](#) [12064869](#) [12004327-B](#) [12010503-B](#) [12015308](#) [12015384](#) [12015909](#) [1-21030-1](#) [12041254](#) [12041318](#) [12047946-B](#) [12047957](#)
[12047957-L](#) [12059473](#) [12066261](#) [12110546](#)