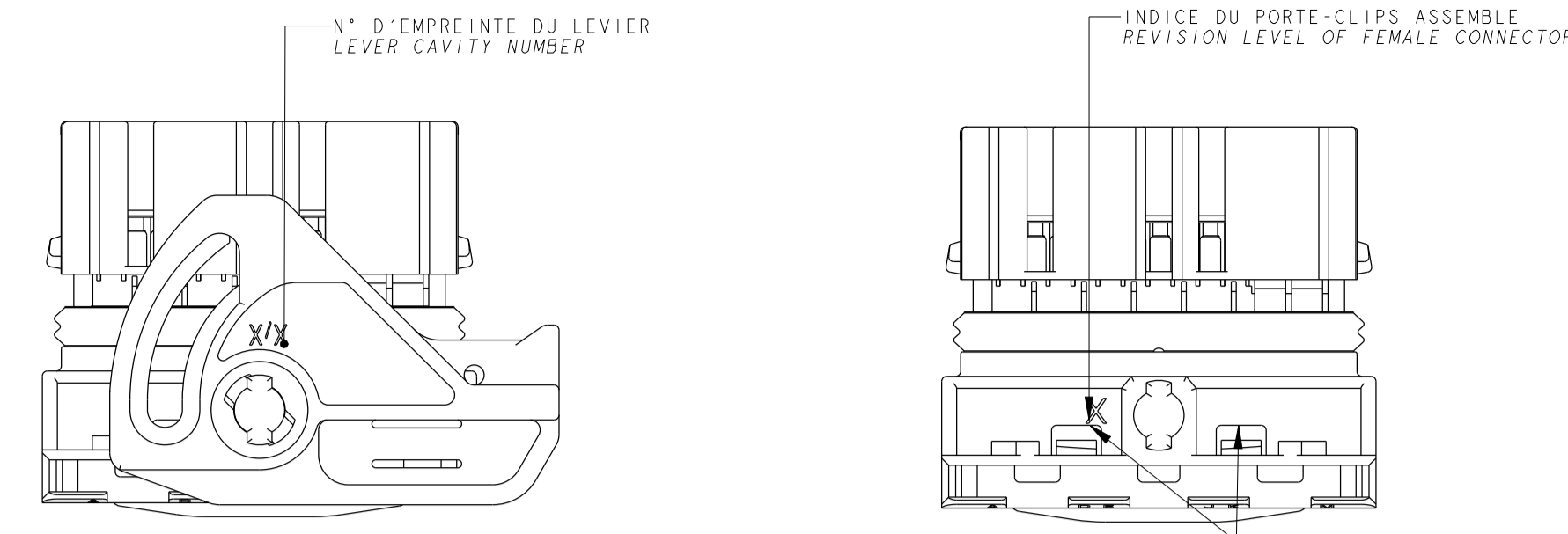
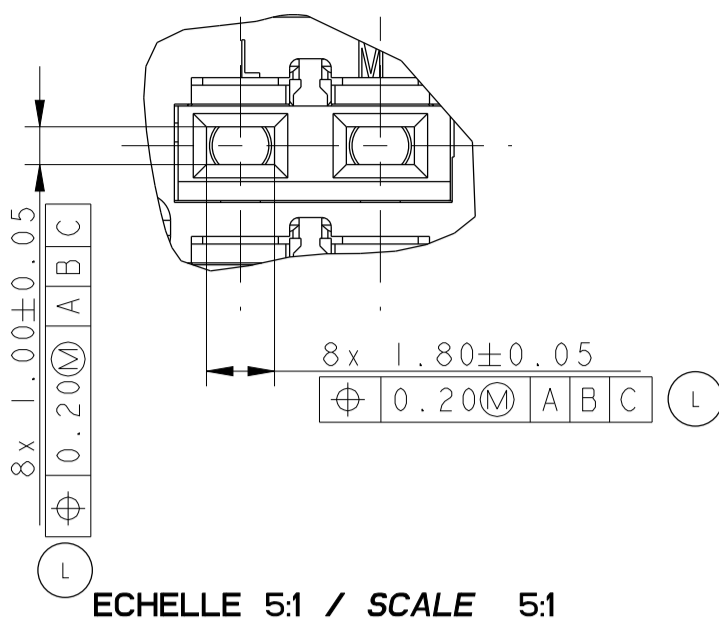
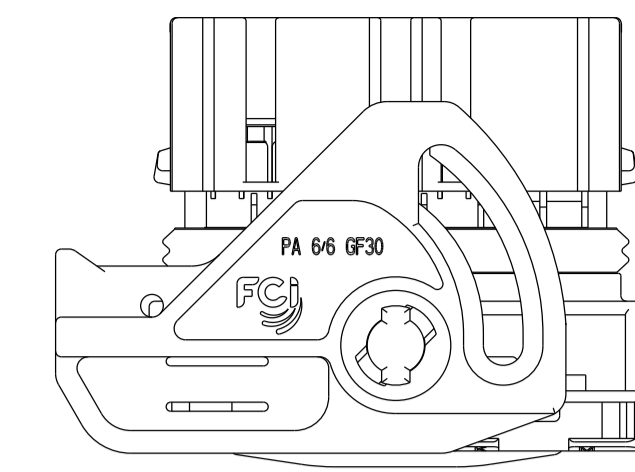
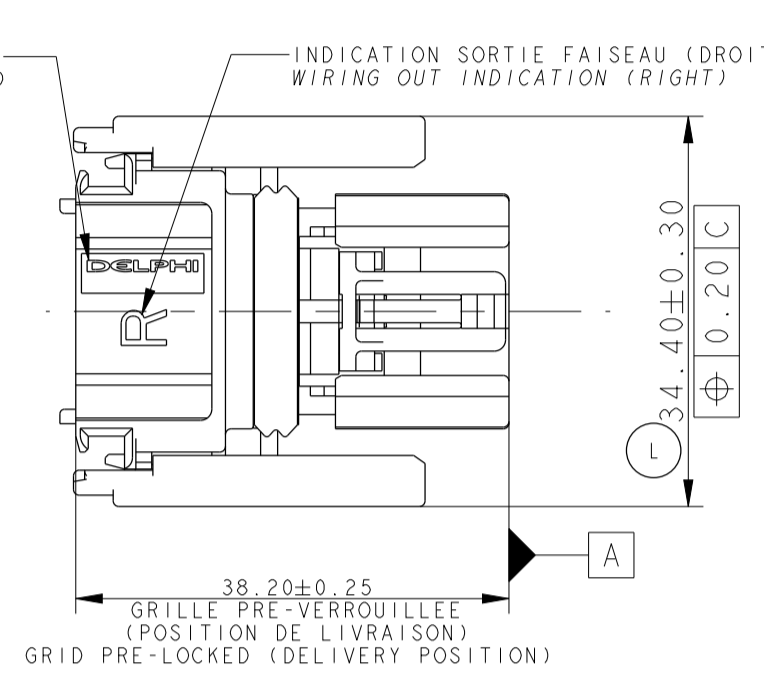
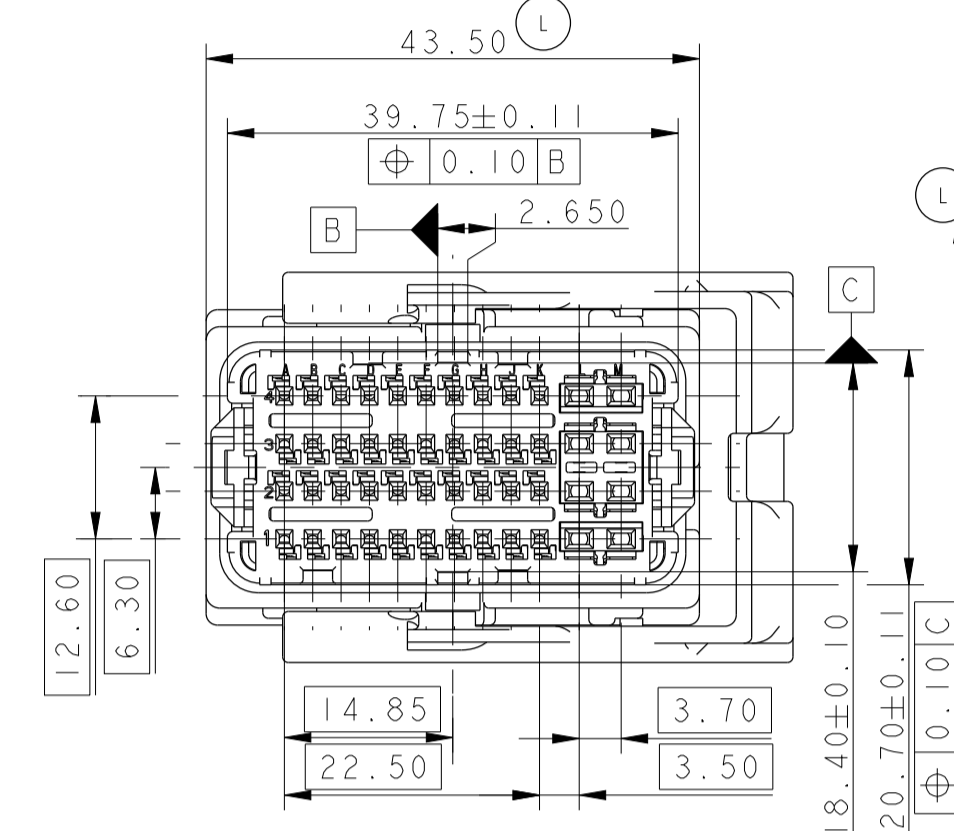


**DETAIL ALVEOLES 15
DETAIL CAVITIES 15**

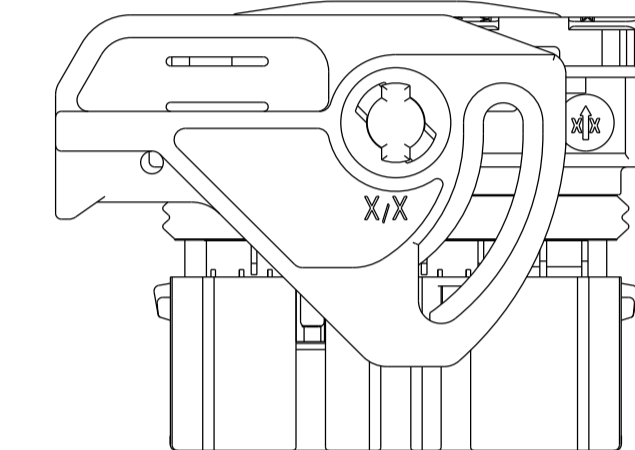
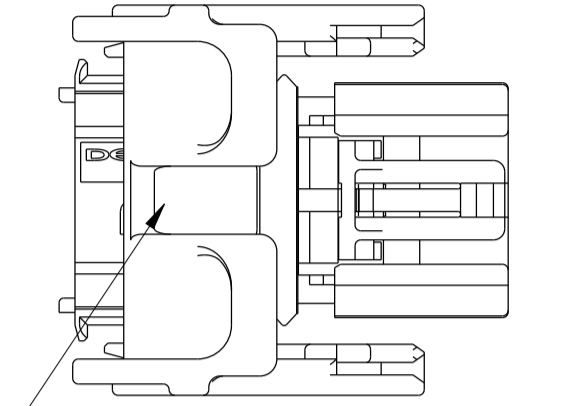
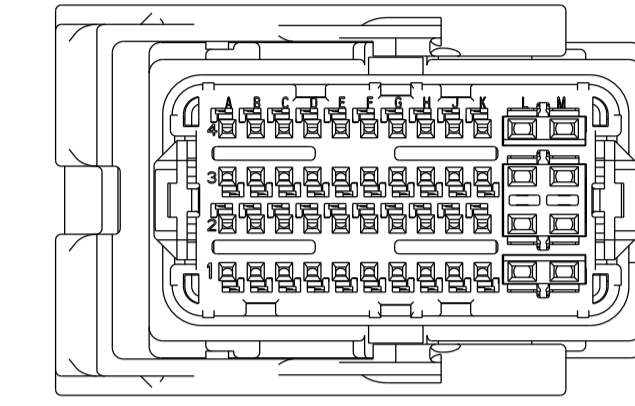
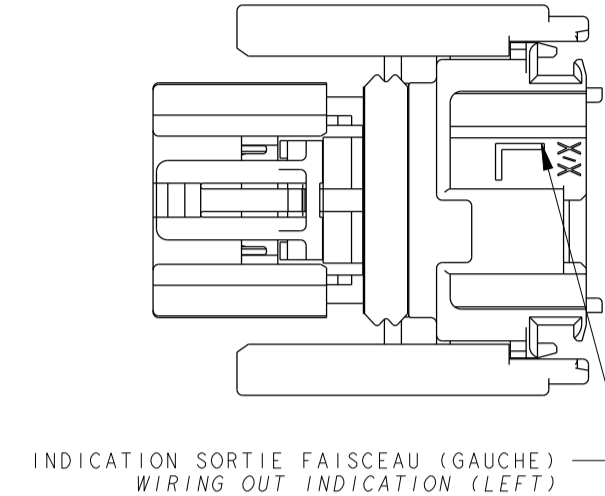


**SORTIE FAISCEAU A DROITE
RIGHT WIRING OUT**

**MARQUAGES EN DESSOUS DU LEVIER
(LEVIER ENLEVE POUR CETTE VUE)
MARKING UNDER LEVER COMPONENT
(LEVER REMOVED FOR THIS VIEW)**



**SORTIE FAISCEAU A GAUCHE
LEFT WIRING OUT**

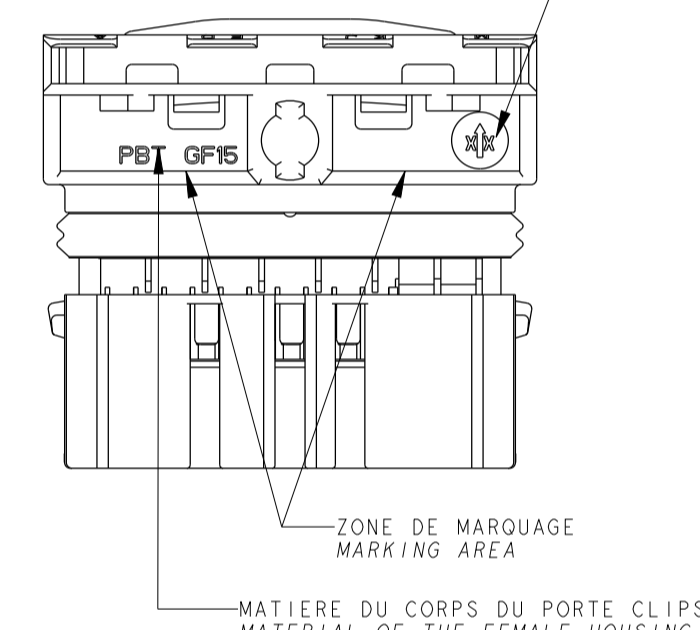
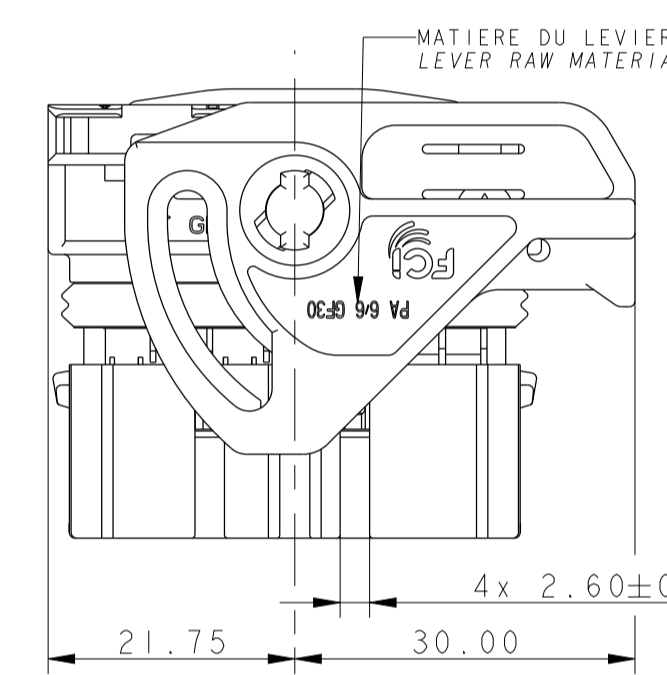
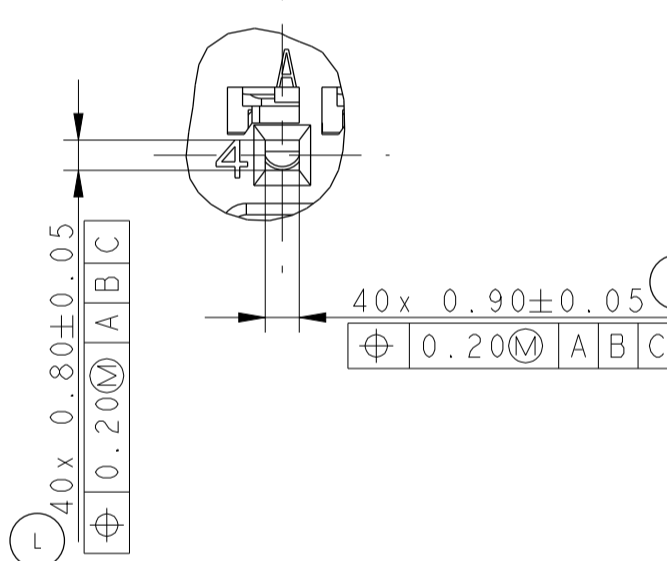


SPECIFICATION DE CONDITIONNEMENT PACKAGING SPECIFICATION
FE PA 06 013
CAHIER DES SPECIFICATIONS SPECIFICATION
NF R 13-462 FE PS 07 023
MISE EN OEUVRE APPLICATION SPECIFICATION
DOSSIER DE PRECONISATION : PU 087 USER'S MANUAL : PU 087

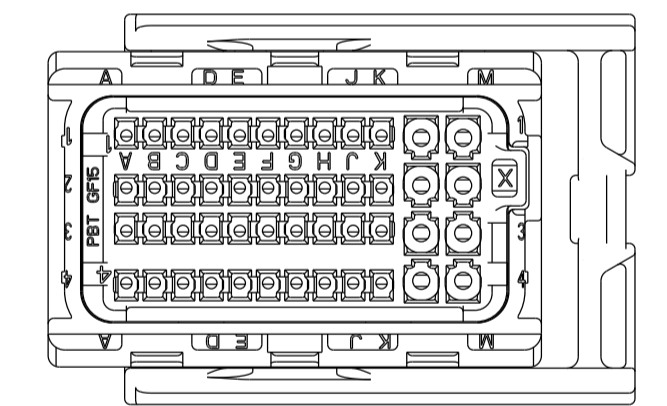
PRODUITS ASSOCIES ASSOCIATED PARTS							
CAPOT COVER	BOUCHON D'ALVEOLES CAVITY PLUG						
	CAVITE 0.635 0.635 CAVITY		CAVITE 1.5 1.5 CAVITY				
SORTIE DES FILS WIRES OUTPUT	MVL P/N	DELPHI P/N	MVL P/N	DELPHI P/N	MVL P/N	DELPHI P/N	
0°	F965000	I3956254	PP10001045	I3768626	PP10001486	I3826722	
45°	PP10001538	I33517228					

Ø DE FILS MINI ET MAXI ADMISSIBLE POUR GARANTIR L'ETANCHEITE DU PRODUIT SUITABLE MIN. AND MAX. WIRES Ø TO GUARANTEE THE WATER TIGHTNESS OF THE PRODUCT					
TYPE DE CONTACT TERMINAL SIZE	REFERENCE MVL MVL PART NUMBER	REFERENCE DELPHI DELPHI PART NUMBER	JOINT TUBE SUR FIL WIRE TUBE	Ø MINI MINIMUM Ø	Ø MAXI MAXIMUM Ø
GTS 0.635	0.35mm ²	PP10001619	I3955989	1.30	1.50
	0.50mm ²	PP10000489	I3648598	1.40	1.70
GTS 1.5	0.50mm ² - 0.85mm ²	PP10001482	I3712871	F418400	2.00
	1.00mm ² - 1.30mm ²	PP10001483	I3741954	F418400	2.40
	1.40mm ² - 2.00mm ²	PP10001484	I3749482	2.30	2.80

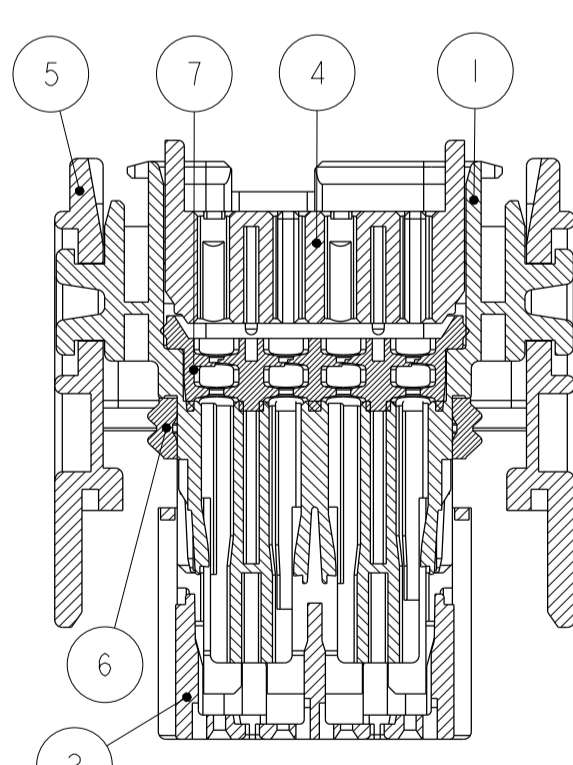
**DETAIL ALVEOLES 0.635
DETAIL CAVITIES 0.635**



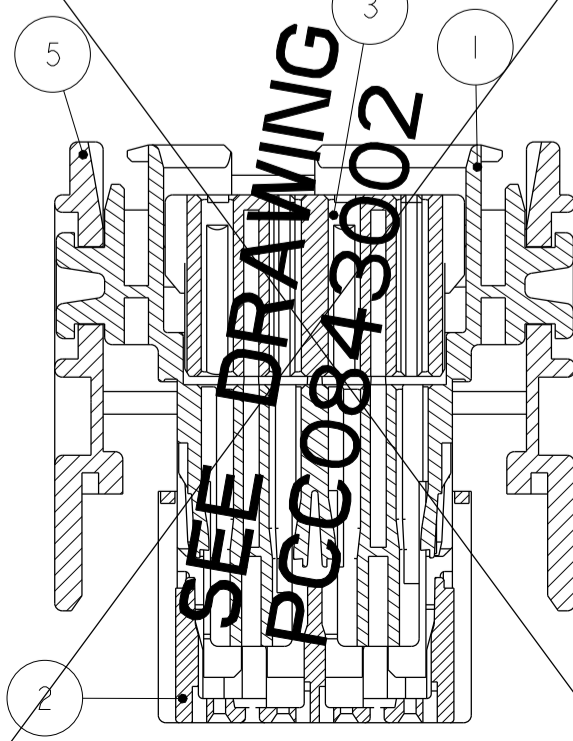
**MARQUAGES EN DESSOUS DU LEVIER
(LEVIER ENLEVE POUR CETTE VUE)
MARKING UNDER LEVER COMPONENT
(LEVER REMOVED FOR THIS VIEW)**



SEALED VERSION



UNSEALED VERSION



PRINCIPALES PROPRIETES MECANQUES MAIN MECHANICAL PROPERTIES		CT 0635	CT 15
FORCE D'INSERTION D'UN CONTACT TERMINAL INSERTION FORCE		10N MAXI	12N MAXI
EFFORT DE POLARISATION D'UN CONTACT A 90° ET 180° TERMINAL POLARISATION FORCE AT 90° AND 180°		24 MINI	30 MINI
EFFORT DE RETENTION AVEC DV RETENTION FORCE WITH SECONDARY LOCK		80N MINI	100N MINI
EFFORT SUR LE LEVIER D'ACCOUPLLEMENT PC/PL MATING FORCE ON THE SLIDER DEVICE		65N MAXI	
EFFORT SUR LE LEVIER DE DESACCOUPLLEMENT PC/PL UNMATING FORCE ON THE SLIDER DEVICE		65N MAXI	
EFFICACITE DE VERROUILLAGE FULL ENGAGED EFFICIENCY		200N MINI	
CLASSE DE TEMPERATURE OPERATING TEMPERATURE		-40°C / +125°C	
CLASSE DE VIBRATIONS VIBRATION CLASS		15 g	
CLASSE D'ETANCHEITE SEALING CLASS		±0.5 Bar 1PX9K	

**NOMENCLATURE
PARTS LIST**

CODAGE NOIR BLACK CODING		CODAGE GRIS GREY CODING		CODAGE MARRON BROWN CODING		CODAGE VERT GREEN CODING	
8.80 ± 0.10	6.60 ± 0.10	13.20 ± 0.10	8.80 ± 0.10	13.20 ± 0.10	13.20 ± 0.10	6.60 ± 0.10	6.60 ± 0.10
13.20 ± 0.10	6.60 ± 0.10	11.00 ± 0.10	8.80 ± 0.10	8.80 ± 0.10	11.00 ± 0.10	11.00 ± 0.10	13.20 ± 0.10
SEALING SPECIFICATION		SEALING SPECIFICATION		SEALING SPECIFICATION		SEALING SPECIFICATION	
TYPE D'ETANCHEITE SEALING SPECIFICATION		TYPE D'ETANCHEITE SEALING SPECIFICATION		TYPE D'ETANCHEITE SEALING SPECIFICATION		TYPE D'ETANCHEITE SEALING SPECIFICATION	
SORTIE FAISCEAU WIRING OUT		SORTIE FAISCEAU WIRING OUT		SORTIE FAISCEAU WIRING OUT		SORTIE FAISCEAU WIRING OUT	
REFERENCE DELPHI DELPHI PART NUMBER		REFERENCE DELPHI DELPHI PART NUMBER		REFERENCE DELPHI DELPHI PART NUMBER		REFERENCE DELPHI DELPHI PART NUMBER	
DELPHI INDICE DELPHI REVISION		DELPHI INDICE DELPHI REVISION		DELPHI INDICE DELPHI REVISION		DELPHI INDICE DELPHI REVISION	
REFERENCE MVL MVL PART NUMBER		REFERENCE MVL MVL PART NUMBER		REFERENCE MVL MVL PART NUMBER		REFERENCE MVL MVL PART NUMBER	
MVL INDICE MVL REVISION		MVL INDICE MVL REVISION		MVL INDICE MVL REVISION		MVL INDICE MVL REVISION	
7	GROMMET MATE SEAL	SILICONE SILICONE	GRIS GREY	PP10000425	C		
6	JOINT INTERFACIAL MATING SEAL	SILICONE SILICONE	INCOLORE CRISTAL	PP10000428	A		
5	LEVIER LEVER	PA66 GF 30	NOIR BLACK	PP10000416	A		
4	GRILLE ARRIERE ETANCHE SEALED REAR GRID	PBT GF 15	GRIS CLAIR LIGHT GREY	C188300	C		
3	GRILLE ARR. NON ETANCHE UNSEALED REAR GRID	PBT GF 15	GRIS FONCE DARK GREY	C288300	C	NA	NA
2	GRILLE AVANT FRONT GRID	PBT GF 15	NOIR BLACK	PP10000405	B (L)	NA	NA
2	GRILLE AVANT FRONT GRID	PBT GF 15	GRIS GREY	PP10000406	B (L)	NA	NA
2	GRILLE AVANT FRONT GRID	PBT GF 15	MARRON BROWN	PP10000407	B (L)	NA	NA
2	GRILLE AVANT FRONT GRID	PBT GF 15	VERT GREEN	PP10000408	B (L)	NA	NA
1	ISOLANT PORTE-CLIPS FEMALE HOUSING	PBT GF 15	NOIR BLACK	C088300	D (L)		
REP.	DESIGNATION	MATIERE MATERIAL	COULEUR COLOUR	REF MVL MVL P/N	INDICE REVISION		

**SEE DRAWING
PCC0843002**

**SEE DRAWING
PCC0843002**

**SEE DRAWING
PCC0843002**

ECN: NO. NUMBER ECN POSITION POSITION

PROJECT SPEC. SPECIFICATION

PACKAGING SPEC. SPECIFICATION

APPLICATION SPEC. SPECIFICATION

COPYRIGHT DELPHI CORPORATION AND/OR ITS AFFILIATES. ALL RIGHTS RESERVED. REVISED

DELPHI

DELPHI PACKARD ELECTRICAL/ELECTRONIC ARCHITECTURE

PROJ. / ENG. pro / eng.

DWG. SIZE DWG. SIZE

MILLIMETERS MILLIMETERS

INCHES INCHES

DRAWING NUMBER PCC0420007

STATE ETAT

REF. PLAN REF. PLAN

SHEET FEUILLE

1 of 1

SCALE ECHELLE

1:1

See Table

X-ON Electronics

Largest Supplier of Electrical and Electronic Components

Click to view similar products for [Automotive Connectors](#) category:

Click to view products by [APTIV](#) manufacturer:

Other Similar products are found below :

[003-018-000](#) [60993906-B](#) [M902-2131](#) [M902-2161](#) [M902-2344](#) [72.330.1035.1](#) [73.353.4028.0](#) [F166900](#) [F358300-B](#) [F407400](#) [776880-1](#)
[827153-1](#) [8N1515-32-24P](#) [9-1326729-8](#) [925474-1](#) [928905-1](#) [964562-4](#) [968782-1](#) [98891-1012](#) [12004475-L](#) [12020308](#) [12041318-B](#)
[12052466](#) [12064869](#) [12015909](#) [1-21030-1](#) [12041254](#) [12041318](#) [12047946-B](#) [12110546-B](#) [12131792](#) [12084688](#) [12092346](#) [HD34-18-14PT](#)
[HD46-24-23SN-059](#) [HDB36-24-16PN-059](#) [HDP26-24-9SE-L015](#) [12185280](#) [12185550](#) [12336-12](#) [12191172-B](#) [12S](#) [13545280](#) [13577943](#)
[13681974](#) [13737722-B](#) [13830674](#) [13832576](#) [13849772](#) [13542772](#)