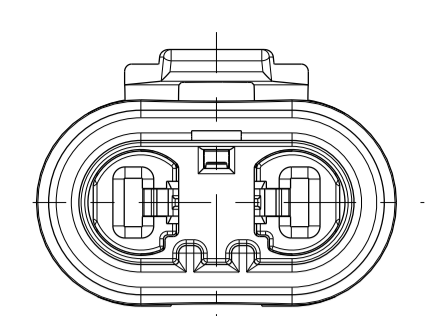
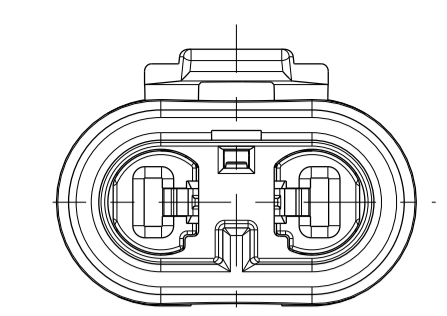
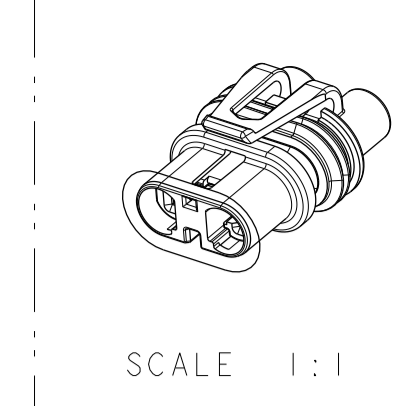
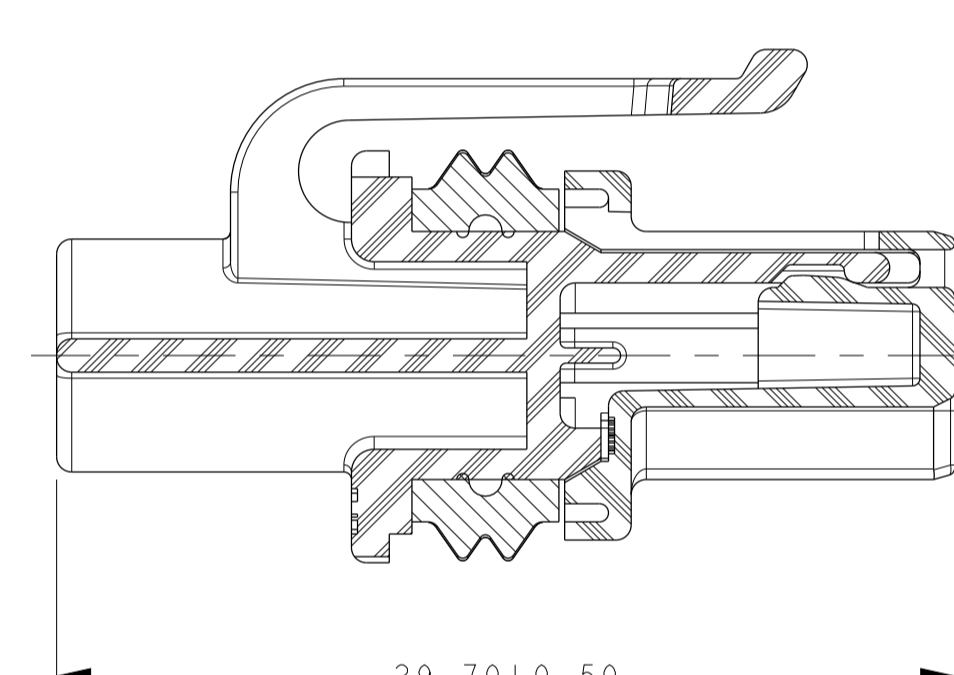
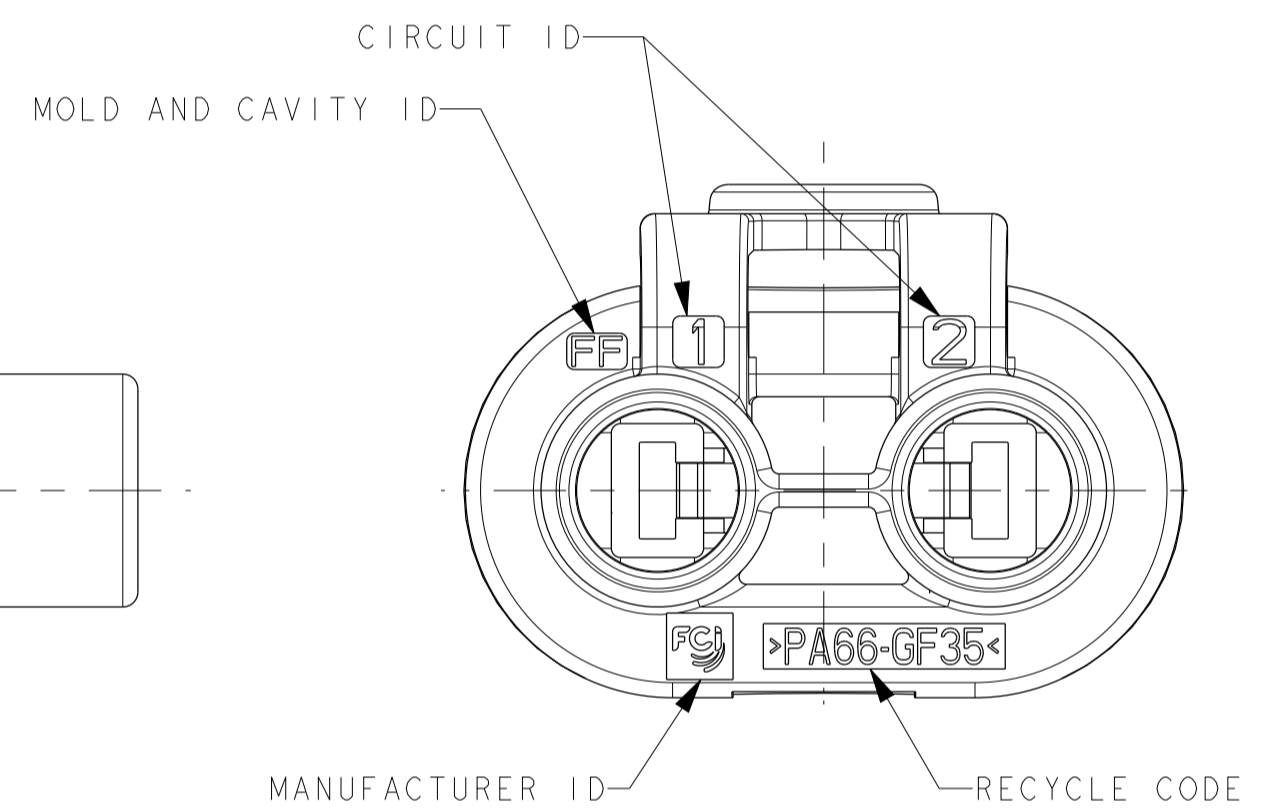
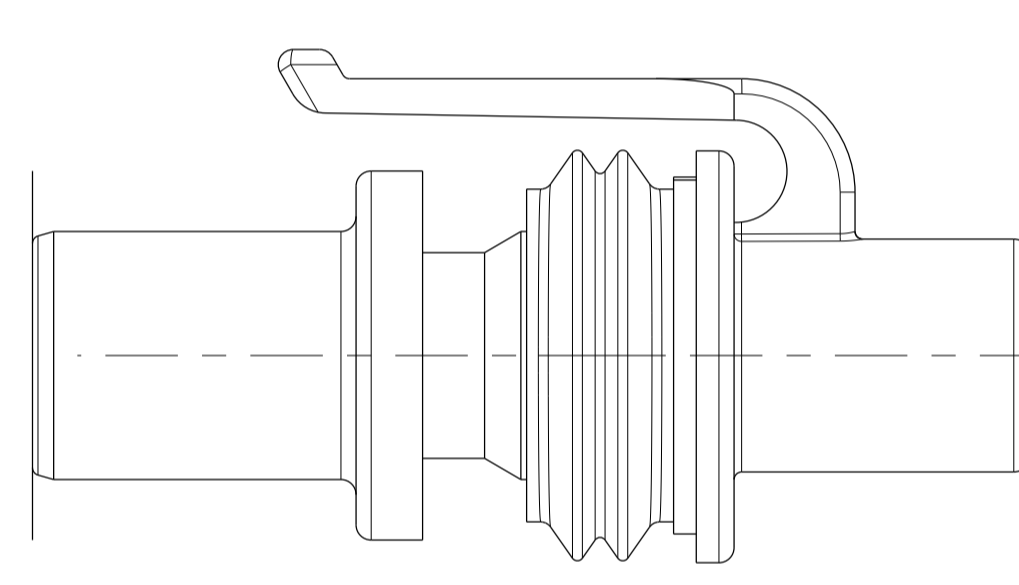
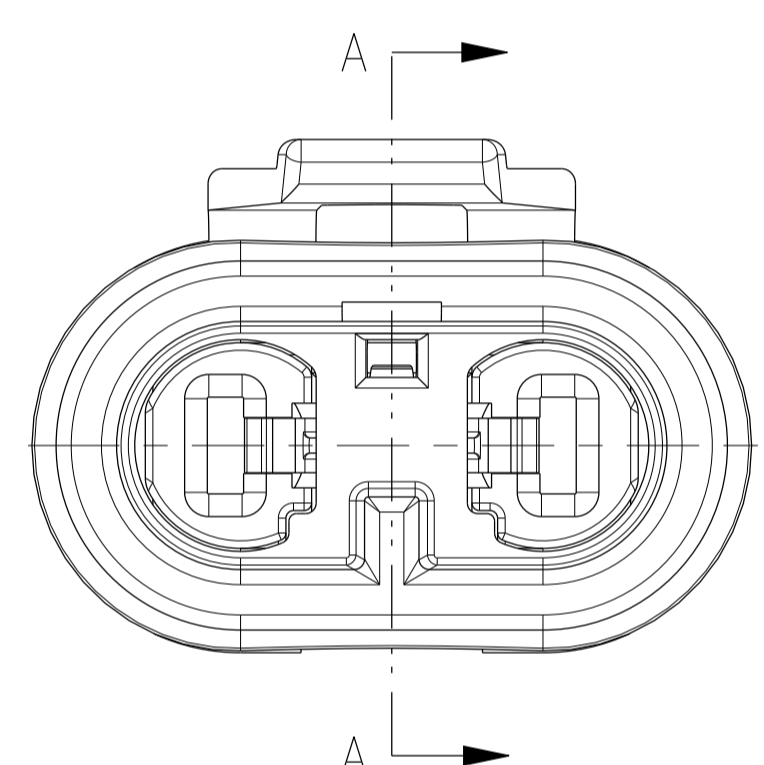
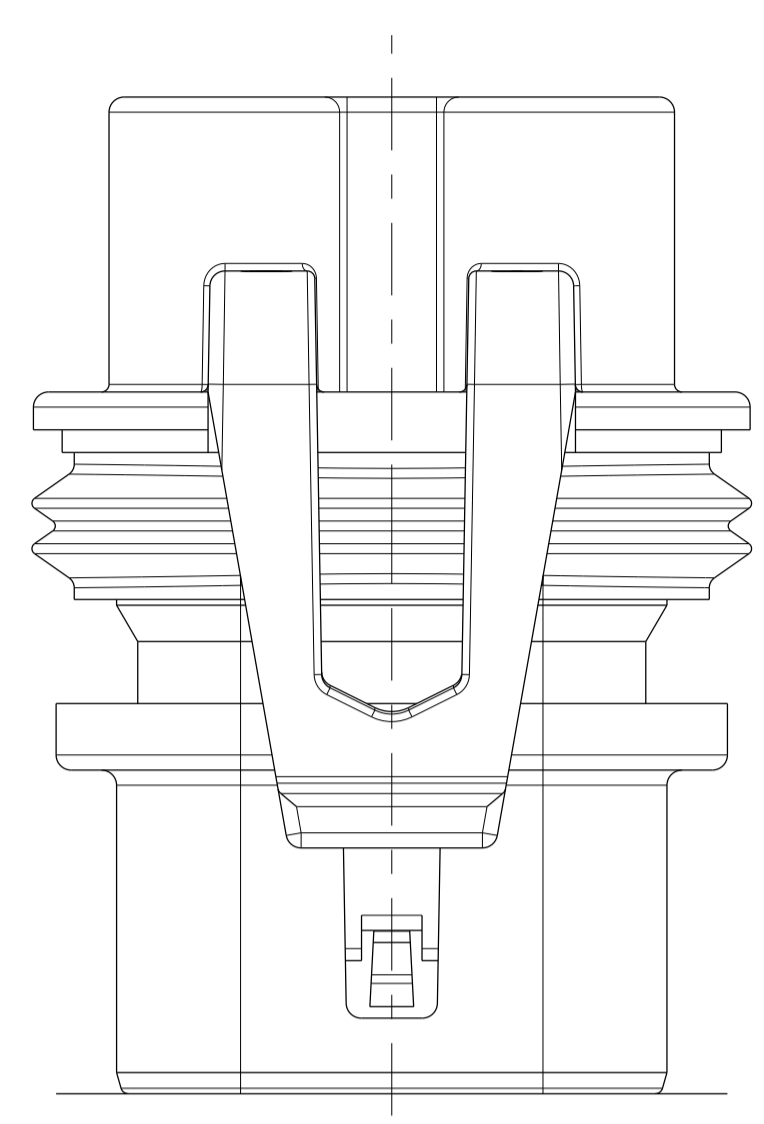


COMPONENTS LIST							
CONNECTOR PART NUMBER	CONFIGURATION	NHTSA DEFINITION (FOR REFERENCE ONLY)	CEI 60061-1 STANDARD (FOR REFERENCE ONLY)	PART NUMBERS			
				#1 TPA	#1 TPA COLOR	#2 HOUSING (BLACK)	#3 SEAL (BLUE)
F412210	9012 / HIR2	NHTSA-1998-3397-0003	7004-32-2	F612210	BROWN	F512210	240M041
F908310	9005 / HB3	NHTSA-1998-3397-0012	7004-31-2	F257210	BLACK		

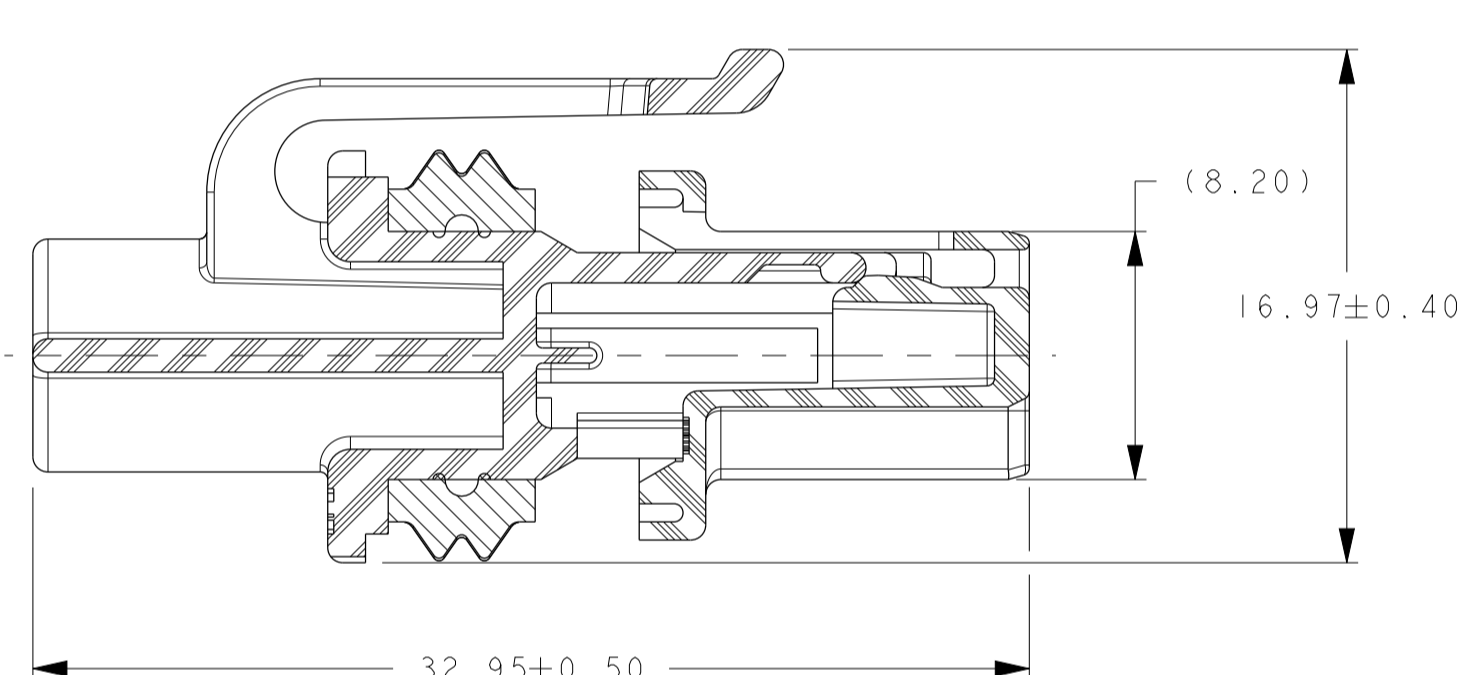
APPLICABLE COMPONENTS								
ITEM DESCRIPTION	PLATING OR COLOR	FORD COMP PART NUMBER	SUPPLIER	FCI / SUPPLIER PART NUMBER	GRIP CODE	WIRE SIZE	WIRE INSULATION DIAMETER RANGE	MATERIAL
APEX 2.8 FEMALE TERMINAL	SILVER	-	FCI	F820310	14	14 AWG 1.50-2.50mm <sup>2</sup>	2.20mm-3.00mm	COPPER ALLOY
2.80mm SYSTEM CABLE SEAL ROUND	BLUE	8U5T-14603-NA	FCI (QSR)	F576000	-	14 AWG 1.50-2.0mm <sup>2</sup>	2.20mm-2.80mm	SILICONE
2.80mm SYSTEM CABLE SEAL ROUND	YELLOW	BU5T-10C930-HA	FCI	60994034	-	2.5mm <sup>2</sup>	2.50mm-3.00mm	SILICONE



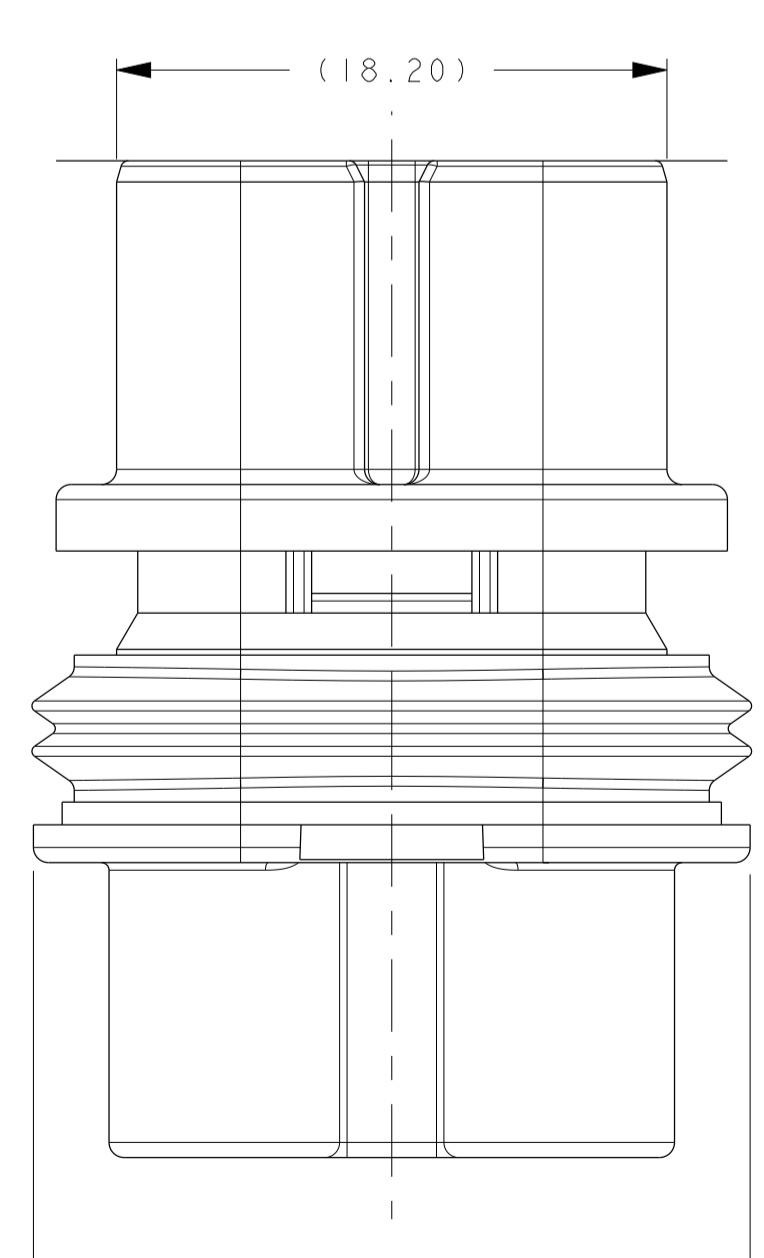
POLARIZATION OPTIONS



SECTION A-A  
TPA SHOWN  
IN LOCKED POSITION

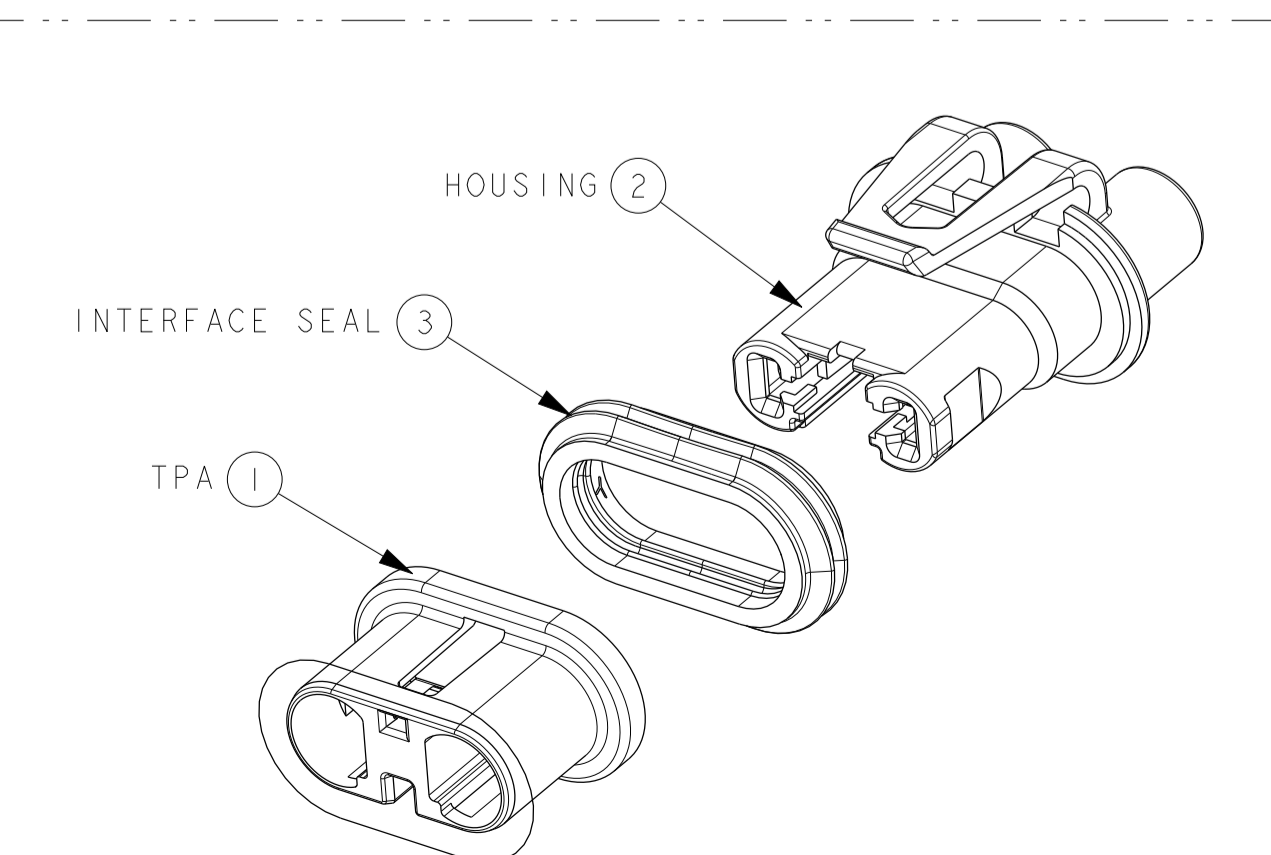


SECTION A-A  
TPA SHOWN  
IN OPEN POSITION



NOTES UNLESS OTHERWISE SPECIFIED:

- BULB HEATING EFFECT IN LIGHTING APPLICATIONS MUST BE CONSIDERED BY THE SPECIFYING PARTY AS TO APPROPRIATE WIRE, CABLE SEAL, AND TERMINAL SELECTION AND FOR EACH LIGHTING SYSTEM'S VALIDATION TESTING. USE OF LARGEST CONDUCTOR WIRE WITH 150°C RATING IS STRONGLY RECOMMENDED IN ALL BULB OR OTHER SELF-HEATING APPLICATIONS.
- TEST METHOD PER: GMW3191 VI / S3 / T4 (150°C) MATED TO HIR2 BULB, UNPOWERED (BULB HEATING EFFECT NOT INCLUDED) WITH THE FOLLOWING EXCEPTIONS:
  - GMW3191 4.29 SUBMERSION: @185°C
  - GMW3191 4.21 THERMAL AGING: CONNECTOR @150°C, BULB ENVELOPE @100°C, 2000 HOURS, 9012/HIR2 BULB POWERED @13.0VDC
- CONNECTOR TO BE USED WITH THE FOLLOWING RANGE OF WIRE SIZES AND TYPES:
  - WIRE SIZES: 1.50mm<sup>2</sup> - 2.50mm<sup>2</sup> AND 14 AWG
  - OUTSIDE DIAMETER: 2.20MM MIN O.D. TO 3.00MM MAX O.D.
  - TYPE/STANDARD: MS-9502, ES-AU5T-1A348-AA Class 4, ISO6722 Class D
  - TEMP RATING: 150°C MINIMUM
 CONTACT FCI ENGINEERING REGARDING USE OF OTHER WIRE SIZES OR TYPES. SEE NOTE #1.
- SEE FCI DRAWING CI5004-CUST FOR TERMINAL CRIMPING REQUIREMENTS.
- CONNECTOR IS MATE COMPATIBLE WITH BULBS/INTERFACES WHICH CONFORM TO THE STANDARDS SHOWN IN THE CHART.
- ANNUAL QUALITY REQUIREMENTS: IT IS PERMISSIBLE TO PERFORM CONTINUOUS CONFORMANCE PER FCI SPECIFICATION AQA-001 INSTEAD OF ANNUAL LAYOUT AND ANNUAL PV REQUIREMENTS OF QS-9000 SECTION 2 AND SAE/USCAR-2.



12-00611	-	INITIAL RELEASE
ECN NO.	ZONE	CHANGE DESCRIPTION
PROJECT SPEC.	PACKAGING SPEC.	APPLICATION SPEC.
THIS DRAWING AND ALL OTHER INFORMATION CONTAINED THEREIN IS PROPRIETARY AND THE PROPERTY OF FCI. THIS DRAWING MAY NOT BE COPIED, REPRODUCED OR DISCLOSED TO ANY THIRD PARTY WITHOUT THE EXPRESSED WRITTEN PERMISSION OF FCI. FCI April 10, 1999		
TOLERANCES	MATERIAL	SEE TABLE
CONTOUR W.	COLOR	SEE TABLE
DO NOT MEASURE DRAWING	TOOL NO.	ECO Loc. C446 AN
DATE	NAME	TITLE
CREATED BY	20130905	Frank HOLLER
MODIFIED BY	20130905	Frank HOLLER
CHECKED BY	20130905	R. RAMASWAMY
APPROVED BY	20130905	JIM CAMPBELL
FILE NAME	PCC0783031	DOCUMENT UNDER PDS CONTROL. NO MODIFICATION ALLOWED OUTSIDE
DRAWING NUMBER		REV.
PCC0783031		A
PROJECT		STATE
2W Female Connector		STATE
HIR2/HB3 BULB CONNECTOR		PART NUMBER
SEE TABLE		REV.
SEE TABLE		SCALE
SEE TABLE		SCALE 4.00

## X-ON Electronics

Largest Supplier of Electrical and Electronic Components

*Click to view similar products for [Automotive Connectors](#) category:*

*Click to view products by [APTIV](#) manufacturer:*

Other Similar products are found below :

[003-018-000](#) [60403001](#) [60993906-B](#) [629515004020001](#) [M902-2131](#) [M902-2161](#) [72.330.1035.1](#) [73.353.4028.0](#) [F119300-B](#) [F166900](#)  
[F258300-B](#) [F358300-B](#) [F407400](#) [F444110](#) [F487000](#) [F509500B-B](#) [827153-1](#) [8N1515-32-24P](#) [9-1326729-8](#) [925474-1](#) [928905-1](#) [964562-4](#)  
[968782-1](#) [GT17SA-8DS-HU](#) [98891-1012](#) [98947-1016](#) [12004475-L](#) [12010290](#) [12010309-B](#) [12015454](#) [12020219-B](#) [12020308](#) [12041318-B](#)  
[12052225-L](#) [12052466](#) [12059125](#) [12064869](#) [12004327-B](#) [12010503-B](#) [12015308](#) [12015384](#) [12015909](#) [1-21030-1](#) [12041254](#) [12041318](#)  
[12047946-B](#) [12047957](#) [12047957-L](#) [12059473](#) [12066261](#)