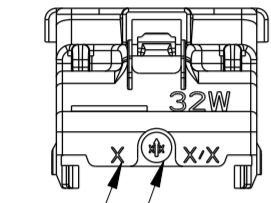


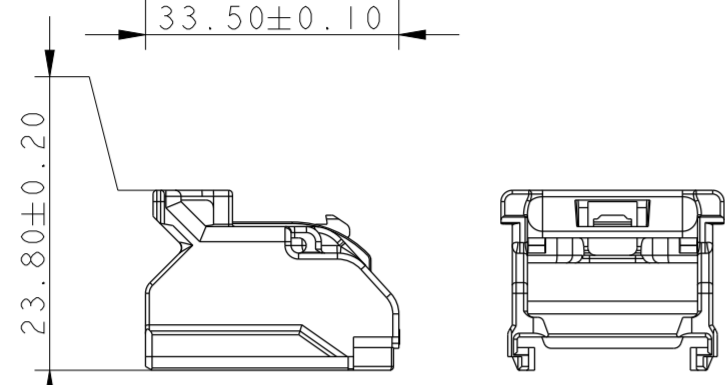
LOGO MVL
MVL LOGO



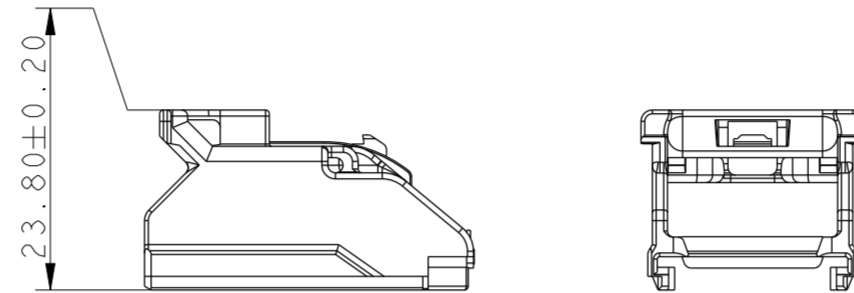
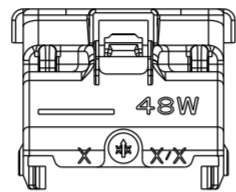
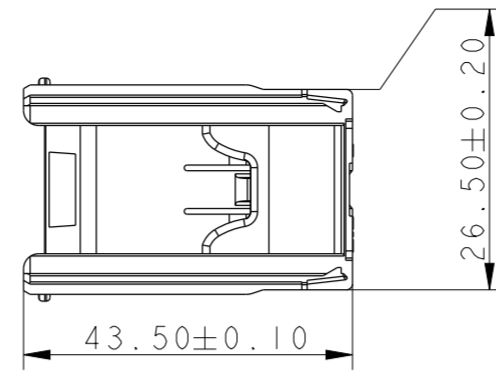
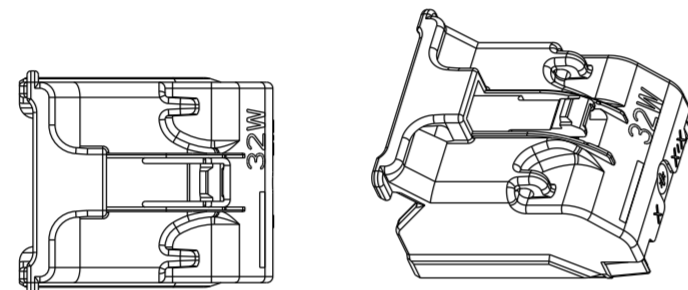
N°D'EMPREINTE DU CAPOT
MOLD NUMBER OF COVER

DATEUR (MOIS/ANNEE)
DATE INDICATOR (MONTH/YEAR)

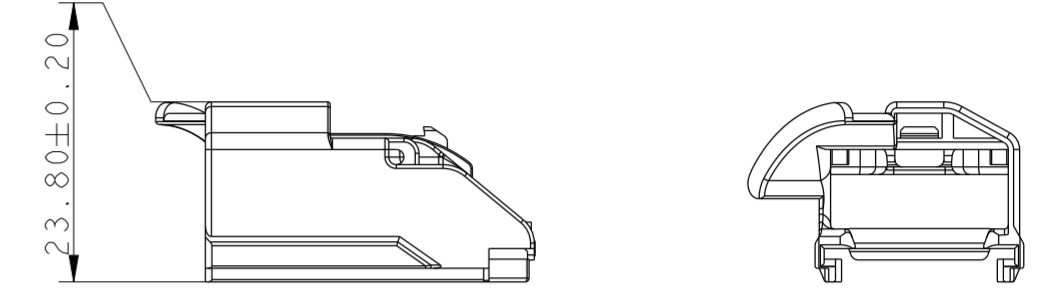
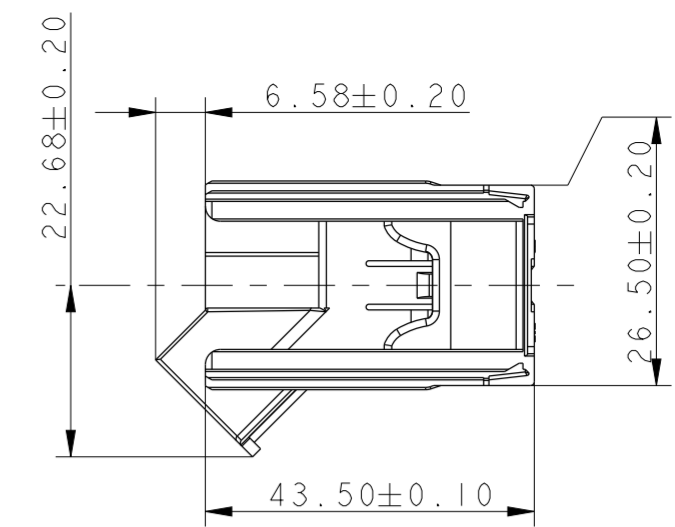
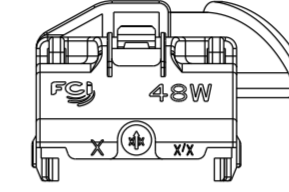
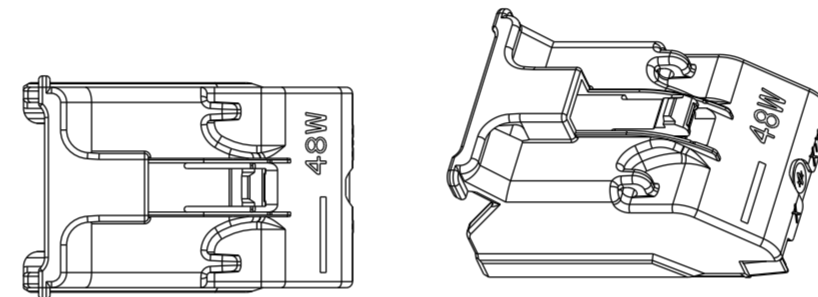
INDICE DU CAPOT
REVISION LEVEL OF COVER



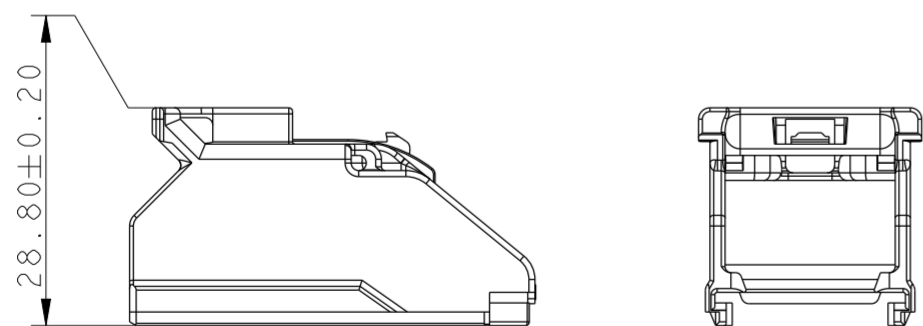
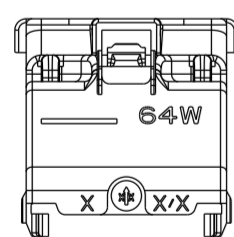
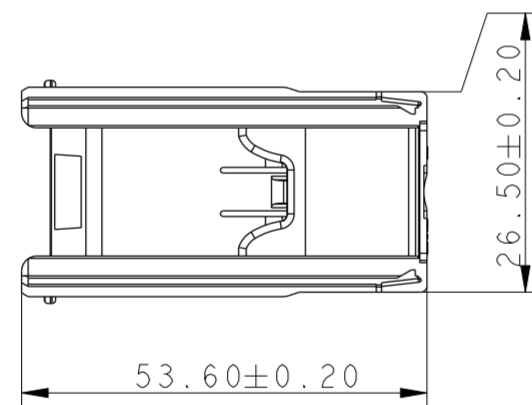
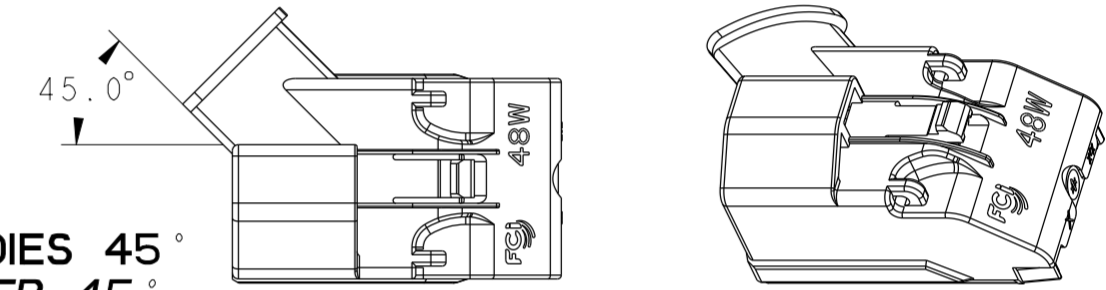
CAPOT 32 VOIES
32 WAY COVER
MVL P/N: PPI0001522
DELPHI P/N: 13851307



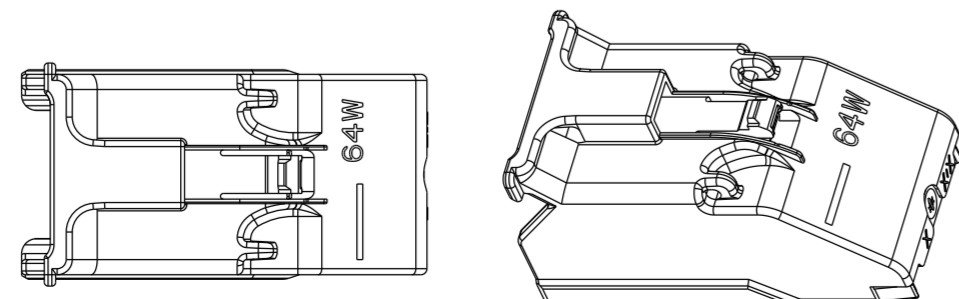
CAPOT 48 VOIES
48 WAY COVER
MVL P/N: F965000
DELPHI P/N: 13956254



CAPOT 48 VOIES 45°
48 WAY COVER 45°
MVL P/N: PPI0001538
DELPHI P/N: 33517228



CAPOT 64 VOIES
64 WAY COVER
MVL P/N: PPI0001526
DELPHI P/N: 13648597



| CAPOT / COVER | | | | MODULE MODULE | PRODUITS ASSOCIES / ASSOCIATED PARTS | | | | | | | | | | | | | | | |
|-----------------------|------------|----------------------|-----------|--------------------|--------------------------------------|-------------------------|------------------------------|------------|-----------|----------|--------------------|---------------|-------------------|----------------|------------|---|----------|----|--|--|
| MVL | | DELPHI | | | CODAGE CODING | ETANCHEITE SEALING | SORTIE FAISEAU WIRING OUT | MVL | | DELPHI | | IND. REV. | IND. REV. | | | | | | | |
| REF. P/N | REV. REV. | REF. P/N | REV. REV. | | | | | REF. P/N | IND. REV. | REF. P/N | IND. REV. | | | | | | | | | |
| PPI0001522 | C | 13851307 | 01 | 32 VOIES 32 WAY | NOIR BLACK | ETANCHE SEALED | GAUCHE LEFT | PP10001487 | C | 13741940 | 01 | | | | | | | | | |
| | | | | | | | DROIT RIGHT | PP10001488 | C | 13851306 | 01 | | | | | | | | | |
| | | | | | | | GAUCHE LEFT | PP10001506 | C | 33500507 | 01 | | | | | | | | | |
| | | | | | | | DROIT RIGHT | PP10001489 | C | 33500494 | 01 | | | | | | | | | |
| | | | | | | | GAUCHE LEFT | PP10001490 | C | 33500495 | 01 | | | | | | | | | |
| | | | | | | | DROIT RIGHT | PP10001491 | C | 33500496 | 01 | | | | | | | | | |
| | | | | | | | GAUCHE LEFT | PP10001492 | C | 33500497 | 01 | | | | | | | | | |
| | | | | | | | DROIT RIGHT | PP10001493 | C | 33500498 | 01 | | | | | | | | | |
| | | | | | | | GAUCHE LEFT | F552100 | C | 33500411 | 01 | | | | | | | | | |
| | | | | | | | DROIT RIGHT | F252100 | C | 33500400 | 01 | | | | | | | | | |
| | | | | | | | GAUCHE LEFT | PP10001494 | C | 13956021 | 01 | | | | | | | | | |
| | | | | | | | DROIT RIGHT | PP10001495 | C | 13956255 | 01 | | | | | | | | | |
| F965000 PPI0001538 | C | 13956254 13956254 | 01 | 48 VOIES 48 WAY | NOIR BLACK | NON ETANCHE UNSEALED | GAUCHE LEFT | F752100 | C | 33500417 | 01 | | | | | | | | | |
| | | | | | | | DROIT RIGHT | F452100 | C | 33500408 | 01 | | | | | | | | | |
| | | | | | | | GAUCHE LEFT | PP10001496 | C | 33500499 | 01 | | | | | | | | | |
| | | | | | | | DROIT RIGHT | PP10001497 | C | 33500500 | 01 | | | | | | | | | |
| | | | | | | | GAUCHE LEFT | F652100 | C | 33500414 | 01 | | | | | | | | | |
| | | | | | | | DROIT RIGHT | F352100 | C | 33500405 | 01 | | | | | | | | | |
| | | | | | | | GAUCHE LEFT | F765000 | C | 33500419 | 01 | | | | | | | | | |
| | | | | | | | DROIT RIGHT | F865000 | C | 33500420 | 01 | | | | | | | | | |
| | | | | | | | PPI0001526 | C | 13648597 | 01 | 64 VOIES 64 WAY | NOIR BLACK | ETANCHE SEALED | GAUCHE LEFT | PP10001500 | C | 13722628 | 01 | | |
| | | | | | | | | | | | | | | DROIT RIGHT | PP10001501 | C | 13648596 | 01 | | |
| | | | | | | | | | | | | | | GAUCHE LEFT | PP10001502 | C | 33500503 | 01 | | |
| | | | | | | | | | | | | | | DROIT RIGHT | PP10001503 | C | 33500504 | 01 | | |
| GAUCHE LEFT | PP10001504 | C | 33500505 | 01 | | | | | | | | | | | | | | | | |
| DROIT RIGHT | PP10001505 | C | 33500506 | 01 | | | | | | | | | | | | | | | | |

SPECIFICATION DE CONDITIONNEMENT
PACKAGING SPECIFICATION

FE PA 06 013

CAHIER DES CHARGES
SPECIFICATION

NF R 13-462
FE PS 06 002

MISE EN OEUVRE
APPLICATION SPECIFICATION

DOSSIER DE PRECONISATION : PU 087
USER'S MANUAL : PU 087

| | | | | |
|---|--------------------------------------|--|---|--|
| ECN-NO. NUMERO ECN | | POSITION POSITION | CHANGE DESCRIPTION MODIFICATION | |
| PRODUCT SPEC. SPECIF. PRODUIT | PACKAGING SPEC. SPECIF. EMBALLAGE | APPLICATION SPEC. SPECIF. APPLICATION | COPYRIGHT DELPHI CORPORATION AND/OR ITS AFFILIATES. ALL RIGHTS RESERVED. REVISED THIS DRAWING IS THE PROPERTY OF DELPHI CORPORATION AND CONTAINS DELPHI CONFIDENTIAL INFORMATION. THE REPRODUCTION, DISTRIBUTION AND UTILIZATION OF THIS DOCUMENT OR ITS RELATED CAD DATA, AS WELL AS COMMUNICATION OF ANY CONTENT TO OTHERS, WITHOUT EXPRESS AUTHORIZATION, IS PROHIBITED. | |
| TOLERANCES TOLERANCES | ±0.1 ±2* | MATERIAL : MATIERE : | PBT GF 15 | SURFACE FINISH ETAT DE SURFACE |
| COUNTERPART N° CONTRE-PARTIE N° | | COLOUR : COULEUR : | NOIR / BLACK | |
| DO NOT MEASURE DRAWING NE PAS PRENDRE DE COTES | | TOOL NO. OUTIL N° | | ECO Loc. Code CODE B.E. |
| CREATED BY CREE PAR | 2006/12/15 | NAME NOM | F CHAZOTTES | |
| MODIFIED BY MODIF. PAR | 2013/10/14 | TITLE DESIGNATION | COVER | |
| CHECKED BY VERIF. PAR | 2013/10/15 | PROJECT | CMC PROJECT | |
| APPROVED BY APPR. PAR | 2013/10/15 | ESR NO. NUMERO ESR | EU-03-0112 | CAT. NO. NUMERO CAT. |
| FILE NAME NOM DE FICHIER | PCC0424207 | DOCUMENT UNDER PDS CONTROL DOCUMENT UNDER PDS CONTROL | DOCUMENT GERE SOUS P.D.S. DOCUMENT GERE SOUS P.D.S. | NO MODIFICATION ALLOWED OUTSIDE PAS DE MODIFICATION EN DEHORS |

DELPHI
DELPHI PACKARD ELECTRICAL/ELECTRONIC ARCHITECTURE
EPERON, FRANCE

pro / eng.

DIMENSION IN
MILLIMETERS
DIMENSIONS EN
MILLIMETRES

DWG SIZE
FORMAT
A2

SHEET
FEUILLE
1 of 1 sur 1

SCALE
ECH. 2:1

DRAWING NUMBER
REF. PLAN
PCC0424207

STATE
ETAT
SERIAL RELEASED

PART NUMBER
REF. ARTICLE
See Table

REV. IND.
REV. IND.
H

X-ON Electronics

Largest Supplier of Electrical and Electronic Components

Click to view similar products for [Automotive Connectors](#) category:

Click to view products by [APTIV](#) manufacturer:

Other Similar products are found below :

[003-018-000](#) [60403001](#) [60993906-B](#) [629515004020001](#) [M902-2131](#) [M902-2161](#) [72.330.1035.1](#) [73.353.4028.0](#) [F119300-B](#) [F166900](#)
[F258300-B](#) [F358300-B](#) [F407400](#) [F444110](#) [F487000](#) [F509500B-B](#) [827153-1](#) [8N1515-32-24P](#) [9-1326729-8](#) [925474-1](#) [928905-1](#) [964562-4](#)
[968782-1](#) [GT17SA-8DS-HU](#) [98891-1012](#) [98947-1016](#) [12004475-L](#) [12010290](#) [12010309-B](#) [12015454](#) [12020219-B](#) [12020308](#) [12041318-B](#)
[12052225-L](#) [12052466](#) [12059125](#) [12064869](#) [12004327-B](#) [12010503-B](#) [12015308](#) [12015384](#) [12015909](#) [1-21030-1](#) [12041254](#) [12041318](#)
[12047946-B](#) [12047957](#) [12047957-L](#) [12059473](#) [12066261](#)