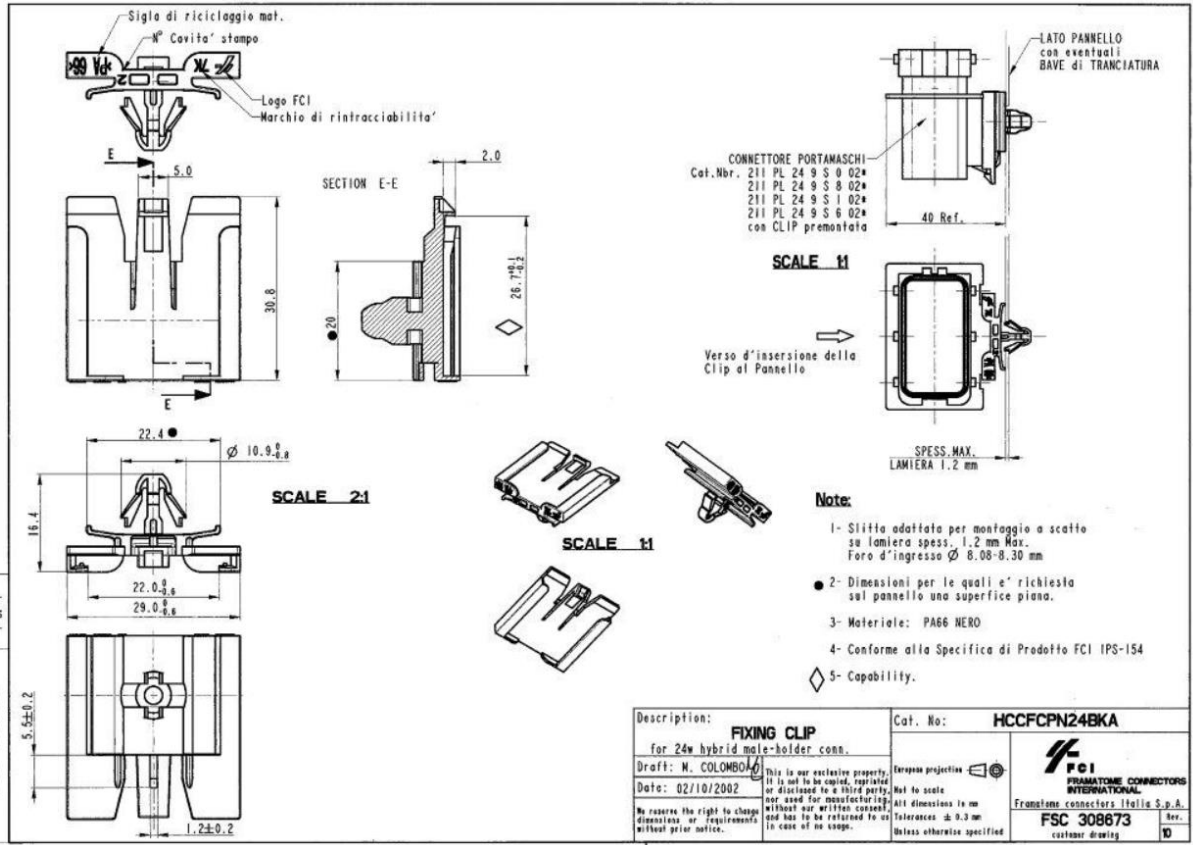



FSC 308673

SHEET
001



- Note:**
- 1- Slitta adattata per montaggio a scatto su lamiera spess. 1.2 mm Max. Foro d'ingresso \varnothing 8.08-8.30 mm
 - 2- Dimensioni per le quali e' richiesta sul pannello una superficie piana.
 - 3- Materiale: PA66 NERO
 - 4- Conforme alla Specifica di Prodotto FCI IPS-154
 - 5- Capabilità.

Description: FIXING CLIP for 24w hybrid male-holder conn.		Cat. No: HCCFCPN24BKA	
Draft: M. COLOMBO	This is our exclusive property. It is not to be copied, replicated or disclosed in a third party, not to scale nor used for manufacturing without our written consent and has to be referred to us in case of no usage.	European projection	 FCI PRIMATEC CONNECTORS INTERNATIONAL Primatec connectors Italia S.p.A. FSC 308673
Date: 02/10/2002			
We reserve the right to change dimensions or requirements without prior notice.		Rev. customer drawing 10	

X-ON Electronics

Largest Supplier of Electrical and Electronic Components

Click to view similar products for [Automotive Connectors](#) category:

Click to view products by [APTIV](#) manufacturer:

Other Similar products are found below :

[003-018-000](#) [60403001](#) [60993906-B](#) [629515004020001](#) [M902-2131](#) [M902-2161](#) [72.330.1035.1](#) [73.353.4028.0](#) [F119300-B](#) [F166900](#)
[F258300-B](#) [F358300-B](#) [F407400](#) [F444110](#) [F487000](#) [F509500B-B](#) [827153-1](#) [8N1515-32-24P](#) [9-1326729-8](#) [925474-1](#) [928905-1](#) [964562-4](#)
[968782-1](#) [GT17SA-8DS-HU](#) [98891-1012](#) [98947-1016](#) [12004475-L](#) [12010290](#) [12010309-B](#) [12015454](#) [12020219-B](#) [12020308](#) [12041318-B](#)
[12052225-L](#) [12052466](#) [12059125](#) [12064869](#) [12004327-B](#) [12010503-B](#) [12015308](#) [12015384](#) [12015909](#) [1-21030-1](#) [12041254](#) [12041318](#)
[12047946-B](#) [12047957](#) [12047957-L](#) [12059473](#) [12066261](#)