

EXPANDED RUBBER GASKET (Thk: 4.5 mm)

SPC STATISTICAL PROCESS CONTROL
 ○ Special Characteristics

18-13475	02-02-2018	C	4E SH2	Added new colours	FG	GI		
14-06120	03-06-2014	B	-	UPDATED FORMAT AND ADDED DELPHI PART NUMBERS	FG	MC		
14-03142	05-03-2014	A	A5 SH1	Added pn 33403915-33403916-33403917	GB	FG MC		
21-2006	13-03-2006	13	-	Added new PN	FG	MC		
02-2006	13-01-2006	12	-	Changed the raw material housing	FG	EC MC		
ECN-NO. NUMERO-ECN	DATE DATA	DD / MM / YY	REVISION REVISIONE	POSITION POSIZIONE	CHANGE DESCRIPTION DESCRIZIONE MODIFICA	DRAWN BY DISEGNATORE	CHK. BY CONTROLLATO	APPR. BY APPROVATO

PRODUCT SPEC. SPEC. DI PRODOTTO
 PACKAGING SPEC. SPEC. DI IMBALLAGGIO
 APPLICATION SPEC. SPEC. DI APPLICAZIONE
 COPYRIGHT APTIV CORPORATION AND/OR ITS AFFILIATES. ALL RIGHTS RESERVED. REVISED THIS DRAWING IS THE PROPERTY OF APTIV CORPORATION. THE REPRODUCTION, DISTRIBUTION AND UTILIZATION OF THIS DOCUMENT OR ITS RELATED CAD MATH DATA, AS WELL AS COMMUNICATION OF ANY CONTENT TO OTHERS, WITHOUT EXPRESS AUTHORIZATION IS PROHIBITED.
 TOLERANCES TOLLERANZE ± 0.3mm / ± 0.1"
 MATERIAL: MATERIALE: PBT GF 15%
 COLOUR: COLORE: SEE TABLE
 TOOL NO.
 SURFACE FINISH FINITURA SUPERFICIALE
 DO NOT SCALE DRAWING DISEGNO FUORI SCALA
 LOC. CODE NAZIONALITA' IT

DESIGNATED CHARACTERISTICS				QCI	KPC
	LAST NO USED			∇ CI	◇ FF
1	TOTAL ON DRAWING	SAFETY/COMPLIANCE		⊙ SC	
QCI	KCP				

APTIV pro / eng.

ISO PROJECTION PROIEZIONE ISO

DIMENSION IN MILLIMETERS DIMENSIONI IN MILLIMETRI

DWG SIZE FORMAT A3

DRAWING NUMBER NUMERO DISEGNO **FSC 309133**

SHEET FOGLIO 1 / 2

FILE NAME NOME FILE **FSC 309133**

SCALE SCALA **2:1**

DRAWN BY DISEGNATORE: 13-01-06 GIRARD
 CHECKED BY CONTROLLATO: 13-01-06 CINI
 APPROVED BY APPROVATO: 13-01-06 COLOMBO

TITLE DESCRIZIONE: **24 WAY REAR DOOR TO BODY (PBT VERSION)**

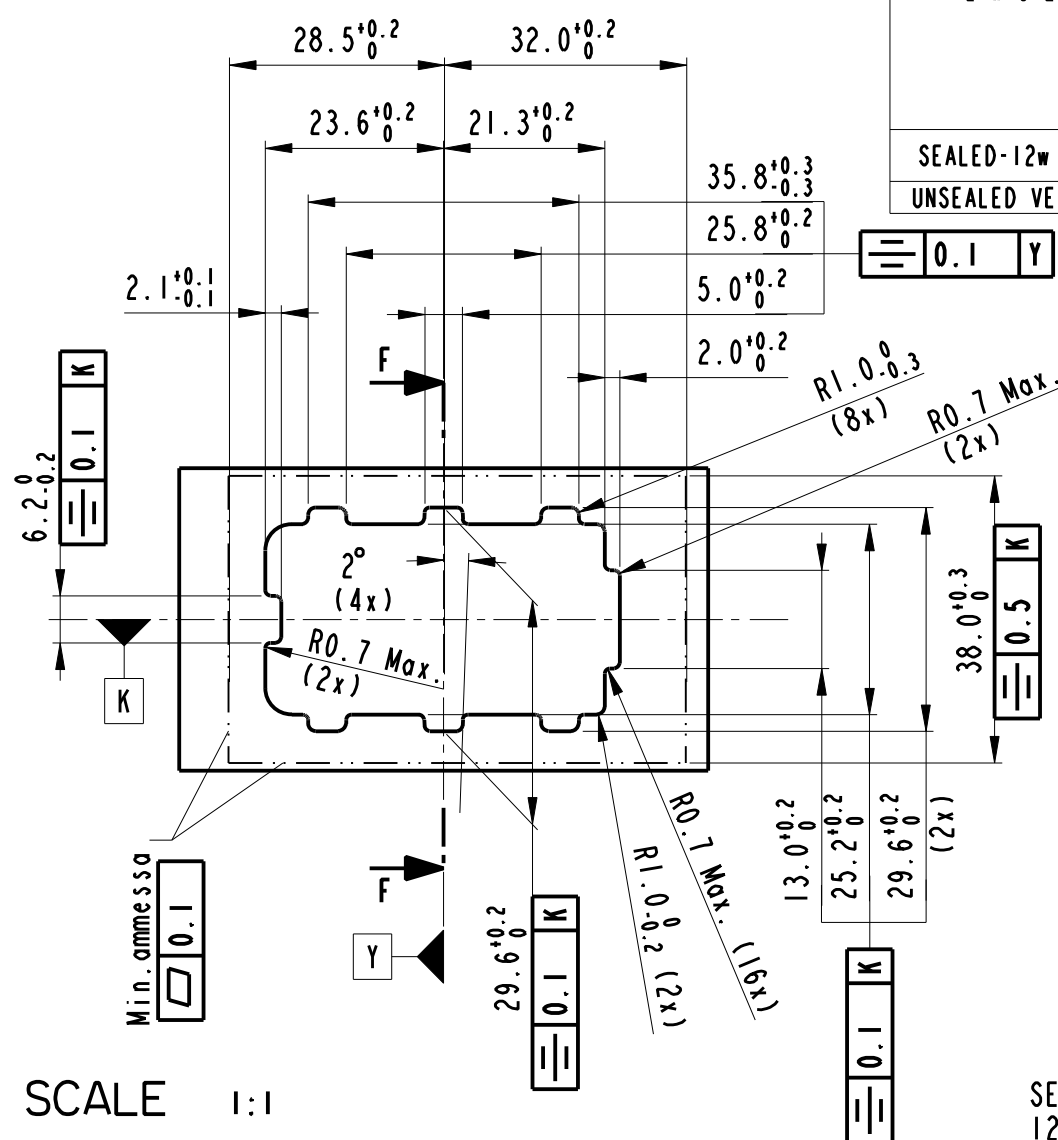
ESR NO. NUMERO ESR: -
 CAT. NO. NUMERO CAT.: SEE TABLE

GROMMET AND GROMMET STOP ONLY FOR THE SEALED VERSION

DRAWING NUMBER / NUMERO DISEGNO: **FSC 309133**
 REVISION / REVISIONE: **C** SHEET / FOGLIO: **2/2** APPROVAL LEVEL / LIV. DI APPROVAZIONE: **D**

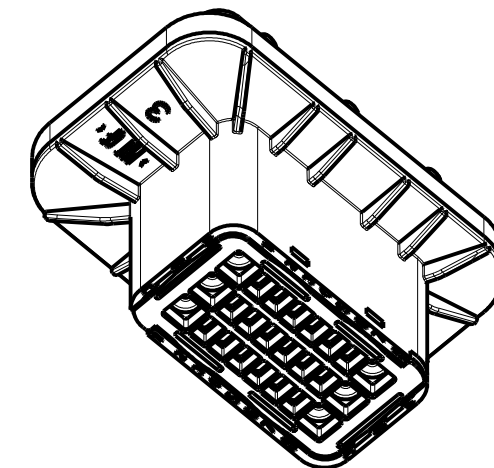
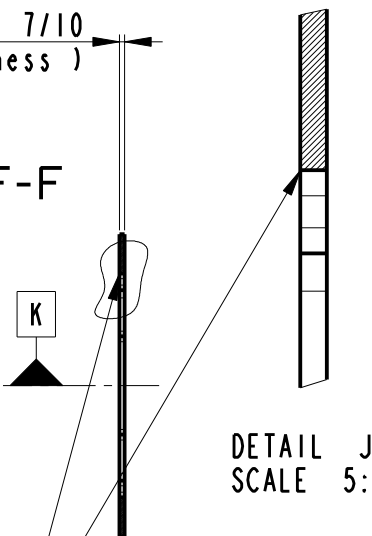
TYPE	MVL P/Ns	REV	DELPHI P/Ns	REV	COLOR
SEALED VERSION 24w OPEN	HCCMHPE24BKAFSV (24W Version)	A	33500427	01	BLACK
	-	A	33403915	01	NATURAL
	-	A	33403916	01	GREEN
	-	A	33403917	01	ORANGE
	-	A	35163344	01	Dark Blue
	-	A	35163354	01	Red
	-	A	35163352	01	Light Brown
	-	A	35163353	01	Light Green
SEALED-12w OPEN	1 726 12 06 (12W Version)	A	13593552	01	BLACK
UNSEALED VERSION	HCCMHPE24BKAF	A	33500426	01	BLACK

PANEL CUT-OUT

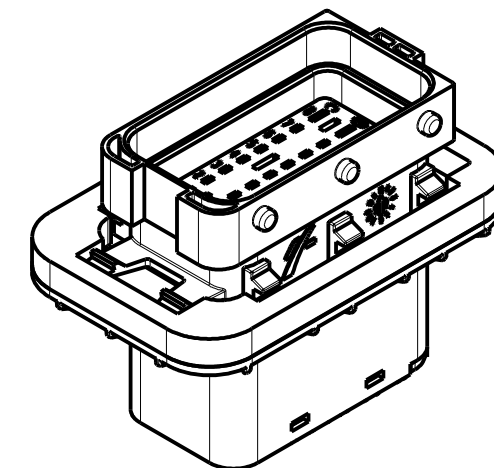


CAR FLOOR

SECTION F-F



SCALE 1:1

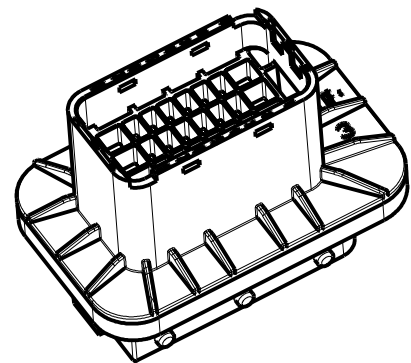


DETAIL J SCALE 5:1

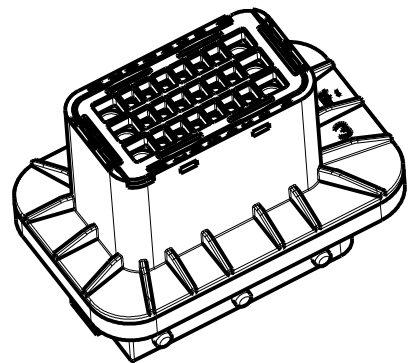
CONNECTOR INSERTION SIDE
 No burrs allowed along all the cut perimeter

SCALE 1:1

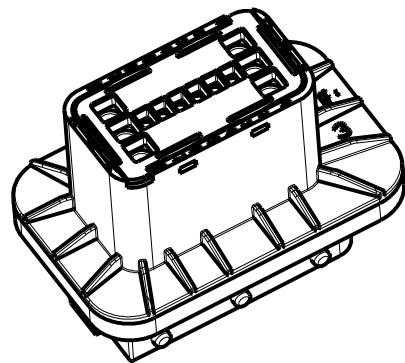
UNSEALED VERSION
NO CLOSED WAYS



SEALED VERSION
NO CLOSED WAYS



SEALED VERSION
12 CLOSED WAYS:
A2, A3, A4, A5, A6, A7
C2, C3, C4, C5, C6, C7



ECN-NO. / NUMERO ECN	DATE / DATA	REVISION / REVISIONE	POSITION / POSIZIONE	CHANGE DESCRIPTION / DESCRIZIONE MODIFICA	DRAWN BY / DISEGNATORE	CHK. BY / CONTROLLATO	APPR. BY / APPROVATO
18-13475	02-02-2018	C	4E SH2	Added new colours	FG		GI
14-06120	03-06-2014	B	-	UPDATED FORMAT AND ADDED DELPHI PART NUMBERS	FG		MC
14-03142	05-03-2014	A	A5 SH1	Added pn 33403915-33403916-33403917	GB	FG	MC
21-2006	13-03-2006	13	-	Added new PN	FG		MC
02-2006	13-01-2006	12	-	Changed the raw material housing	FG	EC	MC

TOLERANCES / TOLLERANZE: $\pm 0.3mm / \pm 0.3'$		MATERIAL: PBT GF 15%		SURFACE FINISH / FINITURA SUPERFICIALE: -		• APTIV • CAD SYSTEM: pro / eng.	
COUNTERPART Nr. / CONTROPARTE Nr.:		COLOUR: SEE TABLE		TOOL NO.:			
DO NOT SCALE DRAWING / DISEGNO FUORI SCALA		MATERIAL: SEE TABLE		LOC. CODE / NAZIONALITA': IT		DNG SIZE / FORMATO: A3	
DRAWN BY / DISEGNATORE: 13-01-06 GIRARD		TITLE / DESCRIZIONE: 24 WAY REAR DOOR TO BODY (PBT VERSION)		DRAWING NUMBER / NUMERO DISEGNO: FSC 309133		SHEET / FOGLIO: 2 of 2	
CHECKED BY / CONTROLLATO: 13-01-06 CINI		APPROVED BY / APPROVATO: 13-01-06 COLOMBO		CAT. NO. / NUMERO CAT.: SEE TABLE		SCALE / SCALA: 2:1	

DESIGNATED CHARACTERISTICS		QCI	KPC
	LAST NO USED	CI	FF
1	TOTAL ON DRAWING	SC	
QCI	KCP		
SAFETY/COMPLIANCE			

X-ON Electronics

Largest Supplier of Electrical and Electronic Components

Click to view similar products for [Automotive Connectors](#) category:

Click to view products by [APTIV](#) manufacturer:

Other Similar products are found below :

[003-018-000](#) [60403001](#) [60993906-B](#) [629515004020001](#) [M902-2131](#) [M902-2161](#) [72.330.1035.1](#) [73.353.4028.0](#) [F119300-B](#) [F166900](#)
[F258300-B](#) [F358300-B](#) [F407400](#) [F444110](#) [F487000](#) [F509500B-B](#) [827153-1](#) [8N1515-32-24P](#) [9-1326729-8](#) [925474-1](#) [928905-1](#) [964562-4](#)
[968782-1](#) [GT17SA-8DS-HU](#) [98891-1012](#) [98947-1016](#) [12004475-L](#) [12010290](#) [12010309-B](#) [12015454](#) [12020219-B](#) [12020308](#) [12041318-B](#)
[12052225-L](#) [12052466](#) [12059125](#) [12064869](#) [12004327-B](#) [12010503-B](#) [12015308](#) [12015384](#) [12015909](#) [1-21030-1](#) [12041254](#) [12041318](#)
[12047946-B](#) [12047957](#) [12047957-L](#) [12059473](#) [12066261](#)