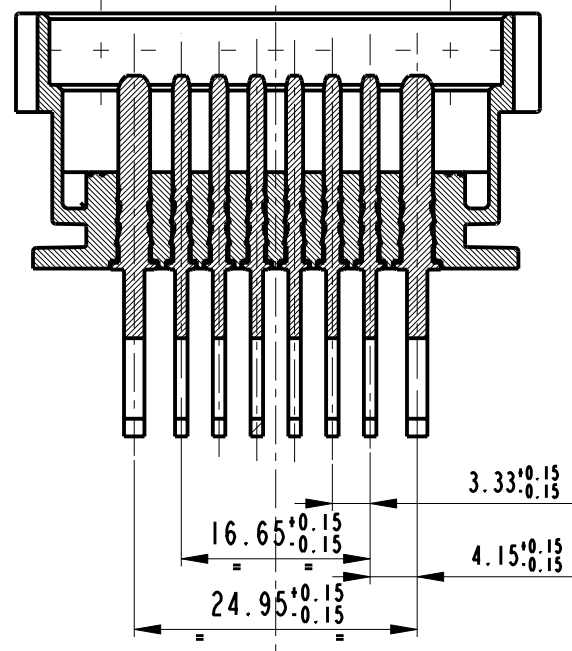
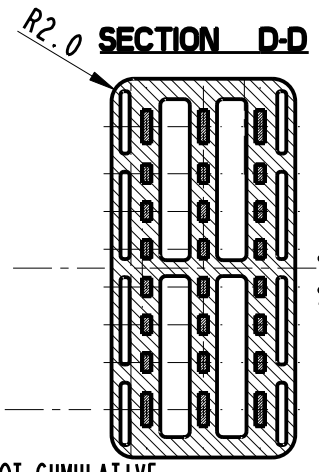


STRICTLY CONFIDENTIAL

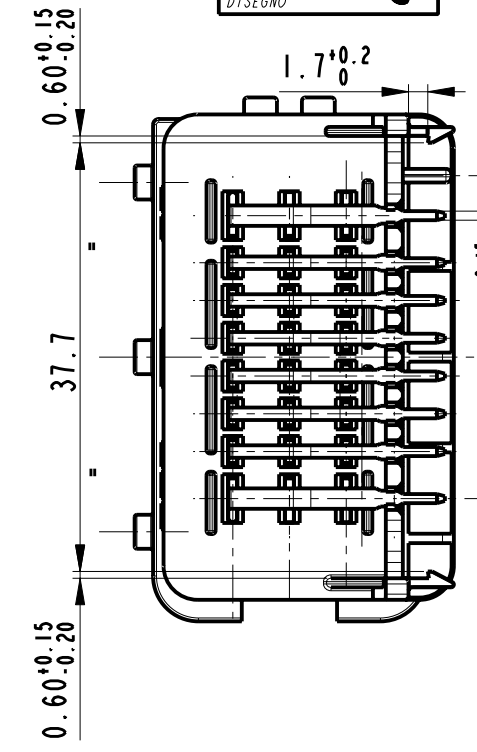
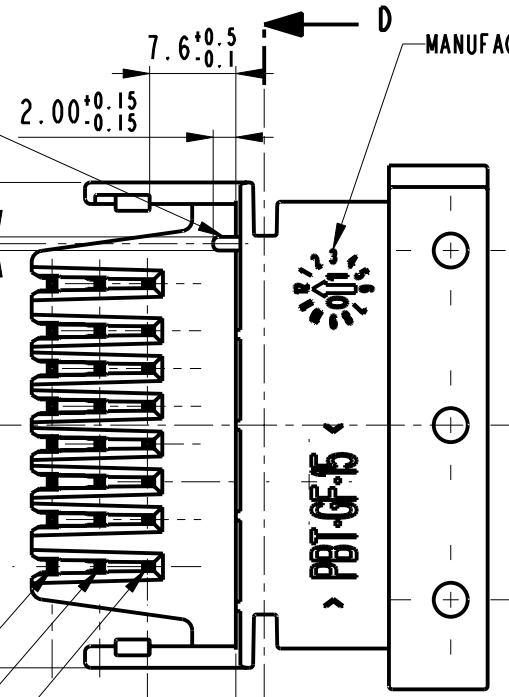
SECTION A-A



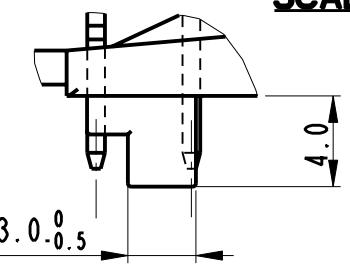
KEY CODE
"BLACK" COLOUR



MANUFACTURING DATE TRACEABILITY

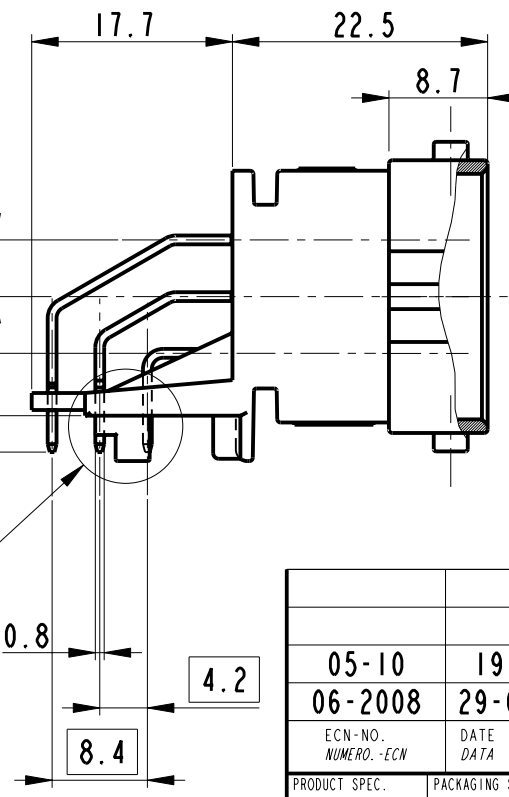


DETAIL X
SCALE 3:1



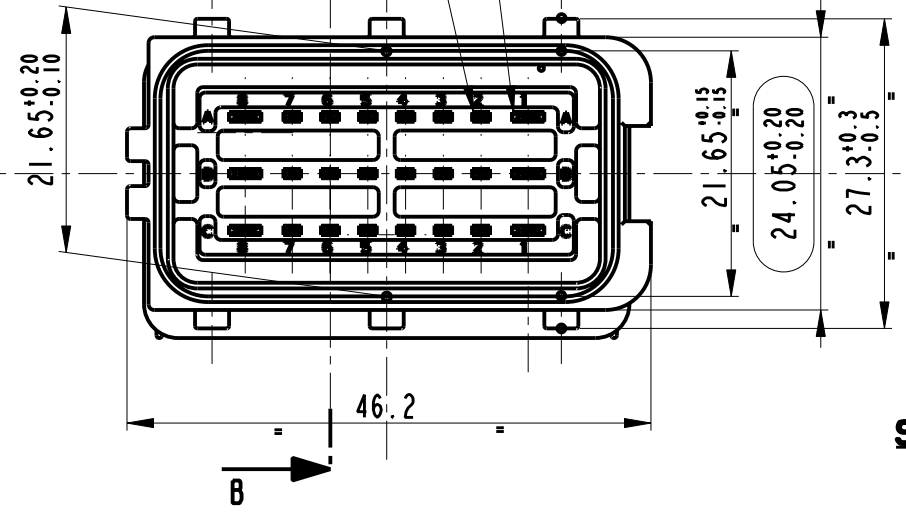
Ø	0.55	A
Ø	0.65	A
Ø	0.75	A

SECTION B-B



SCALE 15:1

N° 18 CONTATTI 15 x 0.8
N° 18 CONTACTS 15 x 0.8
N° 6 CONTATTI 28 x 0.8
N° 6 CONTACTS 28 x 0.8

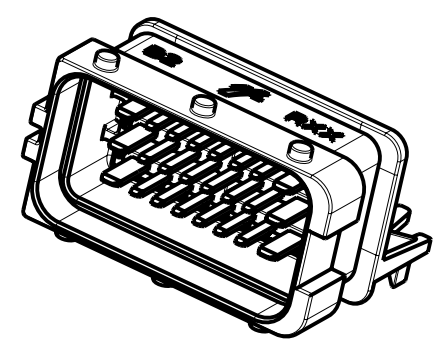
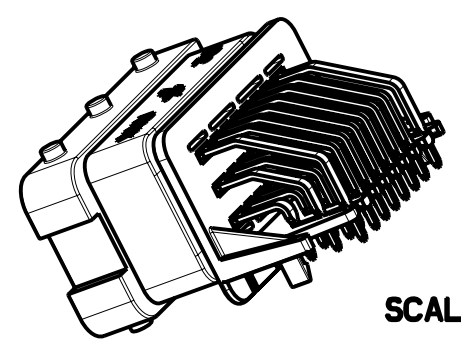


NOTE

- 1 HOUSING RAW MATERIAL: PBT 15 GLASS FIBER
HOUSING TENSILE MODULUS: 5600 MPa at 20°C
- 2 CONTACTS RAW MATERIAL; CuZn37; TIN OR GOLD PLATING
- 3 PRODUCT ACCORDING TO PSA SPECIFICATION: 9604596299
- 4 KEY CODE GREY-BROWN NOT SHOWN

○ CAPABILITY

SEE DETAIL X



05-10	19-03-10	12		ADDED TENSILE MODULUS NOTE	D.T.	M.C.
06-2008	29-01-2008	11		ADDED P/N FOR GOLD VERSION (SHEET 2)	F.G.	M.C.
ECN-NO. NUMERO - ECN	DATE DD / MM / YY DATA	REVISION REVISIONE	POSITION POSIZIONE	CHANGE DESCRIPTION DESCRIZIONE MODIFICA	DRAWN BY CHK. BY APPR. BY DISEGNATORE CONTROLLATO APPROVATO	
PRODUCT SPEC. SPEC. DI PRODOTTO	PACKAGING SPEC. SPEC. DI IMBALLAGGIO	APPLICATION SPEC. SPEC. DI APPLICAZIONE	THIS DRAWING AND ALL OTHER INFORMATION CONTAINED THEREIN IS PROPRIETARY AND THE PROPERTY OF FCI. This drawing may not be copied, reproduced or disclosed to any third party without the expressed written permission of FCI. © FCI April 1999		QUESTO DISEGNO ED OGNI ALTRA INFORMAZIONE IN ESSO CONTENUTA SONO ESCLUSIVI E DI PROPRIETA' DELLA FCI. Questo disegno non puo' essere copiato, riprodotto o divulgato a terzi senza l'espresso consenso scritto della FCI. © FCI April 1999	
TOLERANCES TOLLERANZE	± 0.3 mm / ± 1°	MATERIAL : MATERIALE :	SURFACE FINISH FINITURA SUPERFICIALE		CAD SYSTEM	
COUNTERPART Nr. CONTROPARTE Nr.		SEE SHEET 1 SEE SHEET 2			ISO PROJECTION PROIEZIONE ISO DIMENSION IN MILLIMETERS DIMENSIONI IN MILLIMETRI	
DO NOT SCALE DRAWING DISEGNO FUORI SCALA	DATE DATA	NAME NOME	TITLE DESCRIZIONE	LOC. CODE NAZIONALITA'	DRAWING NUMBER NUMERO DISEGNO	
DRAWN BY DISEGNATORE	06-12-02	R. Rampone			D.W.G. SIZE FORMATO	
CHECKED BY CONTROLLATO	06-12-02	T. Ciriello			A3	
APPROVED BY APPROVATO					SHEET FOGLIO	
					1 of 1 di 2	
		ESR NO. NUMERO ESR	CAT. NO. NUMERO CAT.	FILE NAME NOME FILE	SCALE SCALA	
			SEE SHEET 2	FSC308654	3:2	

24 WAY RECEPTACLE 90°

FSC 308654

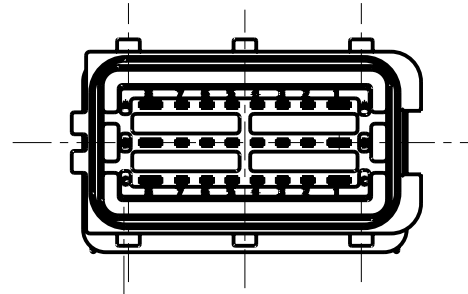


FSC308654

KEY CODE "A"

COLOUR : BLACK

PIN-HEADER CATALOG NUMBER:
HCCPHPE24BKA90F (Tin Version)
HCCPHPE24BKA90G (Gold Version)



COUPLING WITH FEMALE HOUSING

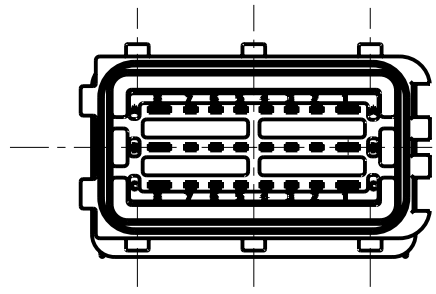
CATALOG NUMBER:

211 PC249S00XX

KEY CODE "B"

COLOUR : GREY

PIN-HEADER CATALOG NUMBER:
HCCPHPE24GYB90F (Tin Version)
HCCPHPE24GYB90G (Gold Version)



COUPLING WITH FEMALE HOUSING

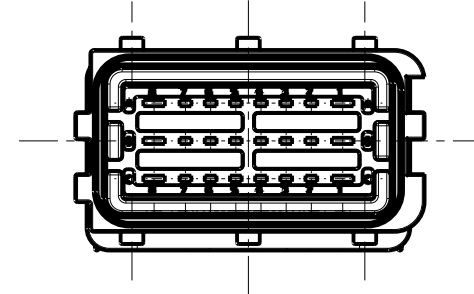
CATALOG NUMBER:

211 PC249S80XX

KEY CODE "C"

COLOUR : BROWN

PIN-HEADER CATALOG NUMBER:
HCCPHPE24BNC90F (Tin Version)



COUPLING WITH FEMALE HOUSING

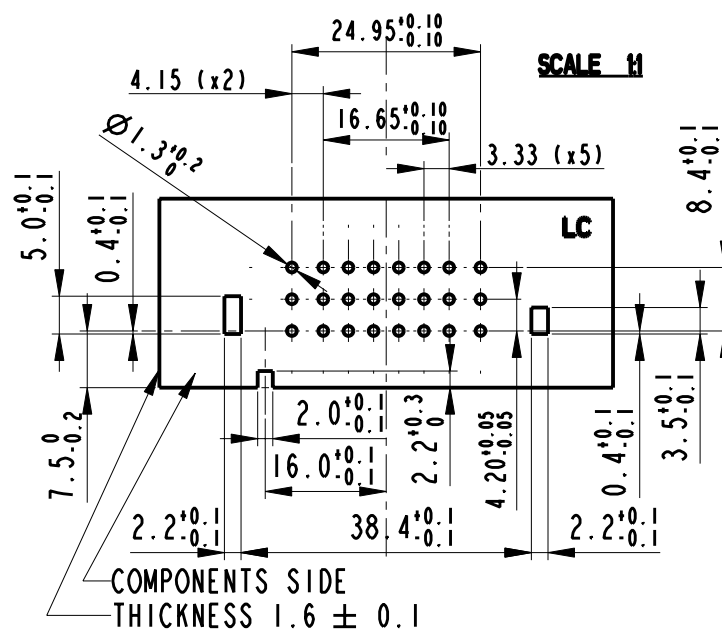
CATALOG NUMBER:

211 PC249S10XX

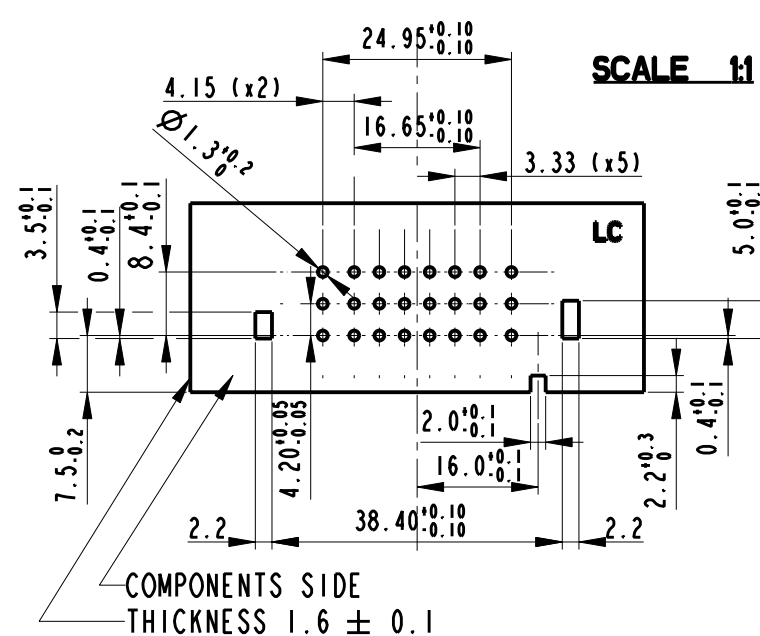
DRAWING NUMBER **FSC 308654** REVISION **12** SHEET **2/2** APPROVAL LEVEL
 NUMERO DISEGNO **FSC 308654** REVISIONE **12** FOGLIO **2/2** LIV. DI APPROVAZIONE
 DRAWING **C**
 DISEGNO

STRICTLY CONFIDENTIAL

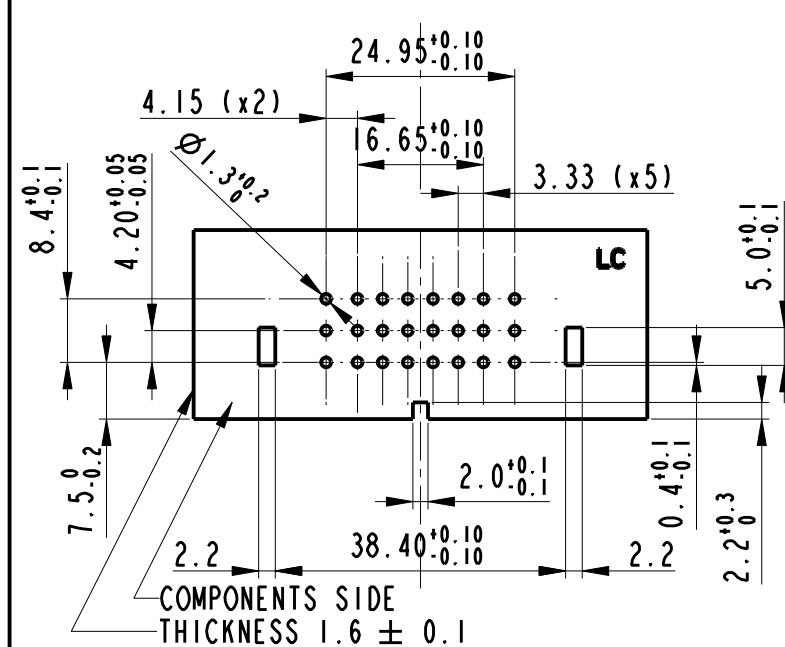
P.C.BOARD LAYOUT (BLACK)



P.C.BOARD LAYOUT (GREY)



P.C.BOARD LAYOUT (BROWN)



05-10	19-03-10	12		ADDED TENSILE MODULUS NOTE	D.T.	M.C.	
06-2008	29-01-2008	11		ADDED P/N FOR GOLD VERSION (SHEET 2)	F.G.	M.C.	
ECN-NO. NUMERO -ECN	DATE DD / MM / YY DATA	REVISION REVISIONE	POSITION POSIZIONE	CHANGE DESCRIPTION DESCRIZIONE MODIFICA	DRAWN BY DISEGNATORE	CHK. BY CONTROLLATO	APPR. BY APPROVATO
PRODUCT SPEC. SPEC. DI PRODOTTO	PACKAGING SPEC. SPEC. DI IMBALLAGGIO	APPLICATION SPEC. SPEC. DI APPLICAZIONE	THIS DRAWING AND ALL OTHER INFORMATION CONTAINED THEREIN IS PROPRIETARY AND THE PROPERTY OF FCI. This drawing may not be copied, reproduced or disclosed to any third party without the expressed written permission of FCI. © FCI April 1999		QUESTO DISEGNO ED OGNI ALTRA INFORMAZIONE IN ESSO CONTENUTA SONO ESCLUSIVI E DI PROPRIETA' DELLA FCI. Questo disegno non puo' essere copiato, riprodotto o divulgato a terzi senza l'espresso consenso scritto della FCI. © FCI April 1999		
TOLERANCES TOLLERANZE	± 0.3 mm / ± 1°	MATERIAL : MATERIALE :	SURFACE FINISH FINITURA SUPERFICIALE		CAD SYSTEM		
COUNTERPART Nr. CONTROPARTE Nr.		SEE SHEET 1 SEE SHEET 2			FCI ISO PROJECTION PROIEZIONE ISO DIMENSION IN MILLIMETERS DIMENSIONI IN MILLIMETRI		
DO NOT SCALE DRAWING DISEGNO FUORI SCALA		TOOL NO.	LOC. CODE NAZIONALITA'	IT	DRAWING NUMBER NUMERO DISEGNO		
DRAWN BY DISEGNATORE	DATE DATA	NAME NOME	TITLE DESCRIZIONE		DRAWING NUMBER NUMERO DISEGNO		
CHECKED BY CONTROLLATO	06-12-02	R.Rampone	24 WAY RECEPTACLE 90°		FSC 308654		
APPROVED BY APPROVATO	06-12-02	T.Ciriello	ESR NO. NUMERO ESR	CAT. NO. NUMERO CAT.	FILE NAME NOME FILE	SCALE SCALA	
				SEE SHEET 2	FSC308654	3:2	

X-ON Electronics

Largest Supplier of Electrical and Electronic Components

Click to view similar products for [Automotive Connectors](#) category:

Click to view products by [APTIV](#) manufacturer:

Other Similar products are found below :

[003-018-000](#) [60403001](#) [60993906-B](#) [629515004020001](#) [M902-2131](#) [M902-2161](#) [72.330.1035.1](#) [73.353.4028.0](#) [F119300-B](#) [F166900](#)
[F258300-B](#) [F358300-B](#) [F407400](#) [F444110](#) [F487000](#) [F509500B-B](#) [827153-1](#) [8N1515-32-24P](#) [9-1326729-8](#) [925474-1](#) [928905-1](#) [964562-4](#)
[968782-1](#) [GT17SA-8DS-HU](#) [98891-1012](#) [98947-1016](#) [12004475-L](#) [12010290](#) [12010309-B](#) [12015454](#) [12020219-B](#) [12020308](#) [12041318-B](#)
[12052225-L](#) [12052466](#) [12059125](#) [12064869](#) [12004327-B](#) [12010503-B](#) [12015308](#) [12015384](#) [12015909](#) [1-21030-1](#) [12041254](#) [12041318](#)
[12047946-B](#) [12047957](#) [12047957-L](#) [12059473](#) [12066261](#)