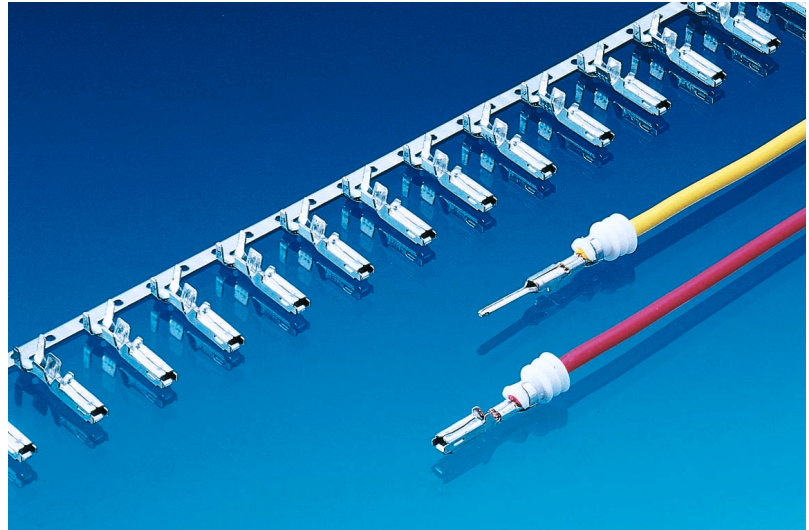


1.5 mm female and male terminals (engine compartment)

Features

- MCS technology
- 6 mm pitch
- High current carrying capacity
- Compatible with single wire sealing



Performance characteristics

- Contact resistance: < 3 m Ω
- Contact mating force: < 10 N
- Contact unmating force: < 3.5 N
- Current carrying capacity

at 23°C up to approx.:	14 A
at 85°C up to approx.:	11 A
at 100°C up to approx.:	8 A

Tooling

- Manual crimping tool: Consult us
- Mini applicator: Consult us

Part Numbers	Type	Wire size range (in mm ²)		Insulation \varnothing (in mm)	Material	Plating
		Min.	Max.	Max.		
MCSFD01	Female	0.35	0.50	1.70	CuSn	Sn
MCSFD02	Female	1.00	1.50	2.40	CuSn	Sn
MCSMD01	Male	0.35	0.50	1.70	CuZn	Sn
MCSMD02	Male	1.00	1.50	2.40	CuZn	Sn

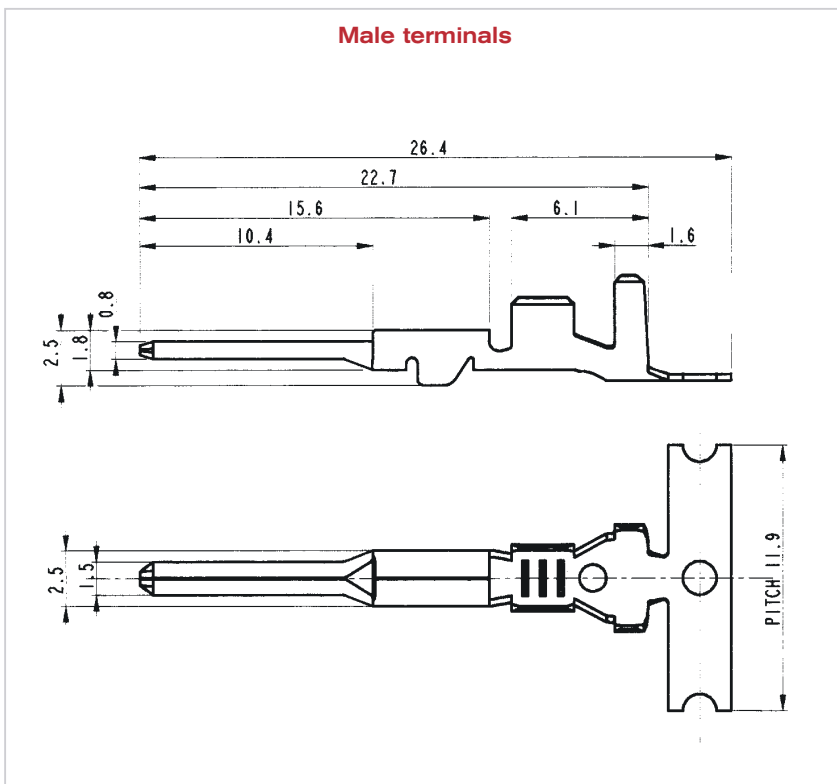
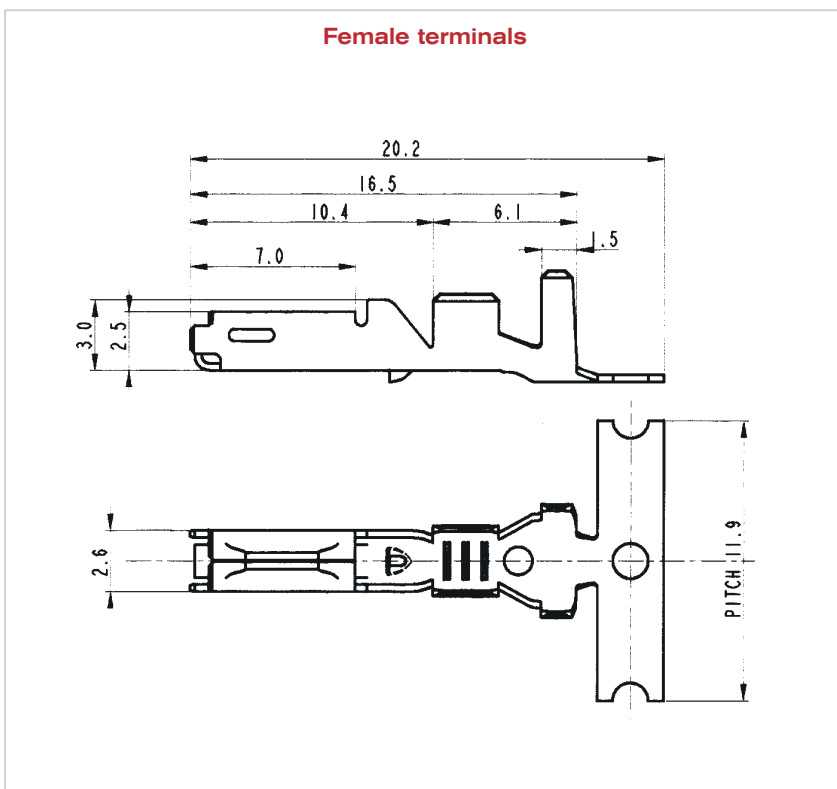
MCS



1.5 mm female and male terminals (engine compartment)

Dimensional characteristics

Notes :



Notes:

X-ON Electronics

Largest Supplier of Electrical and Electronic Components

Click to view similar products for [Automotive Connectors](#) category:

Click to view products by [APTIV](#) manufacturer:

Other Similar products are found below :

[003-018-000](#) [60403001](#) [60993906-B](#) [629515004020001](#) [M902-2131](#) [M902-2161](#) [72.330.1035.1](#) [73.353.4028.0](#) [F119300-B](#) [F166900](#)
[F258300-B](#) [F358300-B](#) [F407400](#) [F444110](#) [F487000](#) [F509500B-B](#) [827153-1](#) [8N1515-32-24P](#) [9-1326729-8](#) [925474-1](#) [928905-1](#) [964562-4](#)
[968782-1](#) [GT17SA-8DS-HU](#) [98891-1012](#) [98947-1016](#) [12004475-L](#) [12010290](#) [12010309-B](#) [12015454](#) [12020219-B](#) [12020308](#) [12041318-B](#)
[12052225-L](#) [12052466](#) [12059125](#) [12064869](#) [12004327-B](#) [12010503-B](#) [12015308](#) [12015384](#) [12015909](#) [1-21030-1](#) [12041254](#) [12041318](#)
[12047946-B](#) [12047957](#) [12047957-L](#) [12059473](#) [12066261](#)