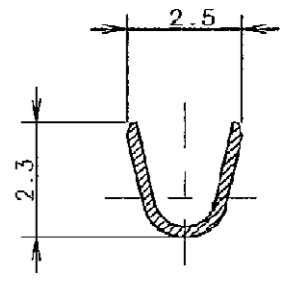
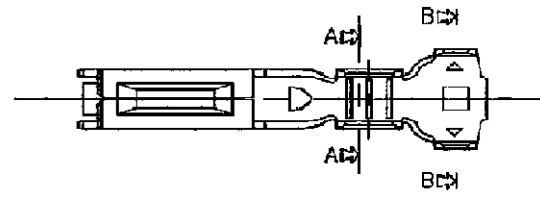
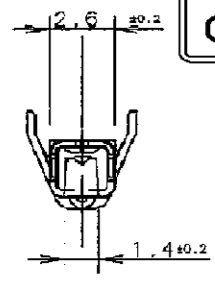
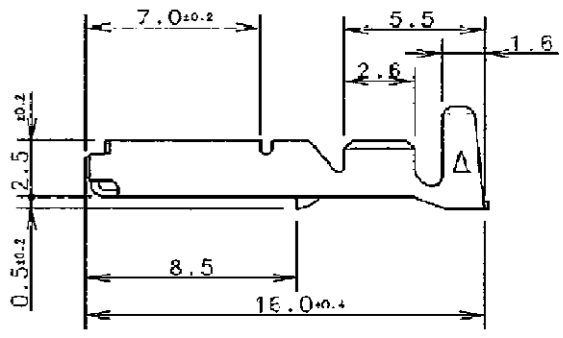
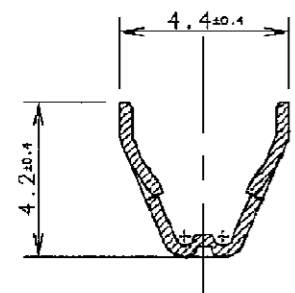


**STRICTLY CONFIDENTIAL**



SEZ. A-A

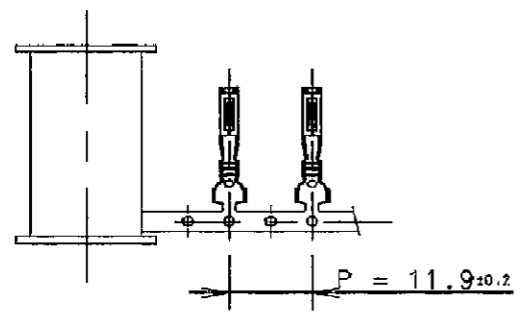


SEZ. B-B

**NOTE :**  
**REMARKS:**

MATERIALE : OTTONE PRESTAGNATO  
 MATERIAL : BRASS PRETINNED

RANGO FILO : 0.3-0.5 mm<sup>2</sup>  
 WIRE SIZE RANGE : 0.3-0.5 mm<sup>2</sup>



MVL PART NUMBER	REV.	DELPHI PART NUMBER	REV.
MCSFDBU1	A	15470518	01

14-07742	25-09-2014	A	-	Updated format and added DELPHI P/Ns	F.G.	M.C.	
ECN-NO. NUMERO -ECN	DATE DD / MM / YY DATA	REVISION REVISIONE	POSITION POSIZIONE	CHANGE DESCRIPTION DESCRIZIONE MODIFICA	DRAWN BY DISEGNATORE	CHK. BY CONTROLLATO	APPR. BY APPROVATO
PRODUCT SPEC. SPEC. DI PRODOTTO	PACKAGING SPEC. SPEC. DI IMBALLAGGIO	APPLICATION SPEC. SPEC. DI APPLICAZIONE	COPYRIGHT DELPHI CORPORATION AND/OR ITS AFFILIATES. ALL RIGHTS RESERVED. REVISED THIS DRAWING IS THE PROPERTY OF DELPHI CORPORATION. THE REPRODUCTION, DISTRIBUTION AND UTILIZATION OF THIS DOCUMENT OR ITS RELATED CAD MATH DOCUMENTO O DELLE SUE RELATIVE MATEMATICHE CAD, NONCHE LA COMUNICAZIONE DI QUALSIASI CONTENUTO AD ALTRI, SENZA ESPLICITA AUTORIZZAZIONE, E PROIBITA				
TOLERANCES TOLLERANZE	± 0.3mm / ±2°	MATERIAL : MATERIALE :	SEE TABLE	SURFACE FINISH FINITURA SUPERFICIALE	<b>DELPHI</b> DELPHI PACKARD ELECTRICAL/ELECTRONIC ARCHITECTURE TORINO, ITALY		CAD SYSTEM pro / eng.
COUNTERPART Nr. CONTROPARTE Nr.		COLOUR : COLORE :	-		<b>C</b> ISO PROJECTION PROIEZIONE ISO	DIMENSION IN MILLIMETERS DIMENSIONI IN MILLIMETRI	DWG SIZE FORMATO <b>A4</b>
DO NOT SCALE DRAWING DISEGNO FUORI SCALA		TOOL NO.	-	LOC. CODE NAZIONALITA'			
DRAWN BY DISEGNATORE	DATE DATA	NAME NOME	TITLE DESCRIZIONE	DRAWING NUMBER NUMERO DISEGNO		SHEET FOGLIO	
CHECKED BY CONTROLLATO	27-03-97	R.B.	MINI CONTACT SYSTEM M.C.S. FEMALE TERMINAL	BSA 307976		1 of 1 di	
APPROVED BY APPROVATO	27-03-97	V.B.	ESR NO. NUMERO ESR	CAT. NO. NUMERO CAT.	FILE NAME NOME FILE	SCALE SCALA	-
			EU -	MCSFDBU1	BSA 307976		

## X-ON Electronics

Largest Supplier of Electrical and Electronic Components

*Click to view similar products for [Automotive Connectors](#) category:*

*Click to view products by [APTIV](#) manufacturer:*

Other Similar products are found below :

[003-018-000](#) [60403001](#) [60993906-B](#) [M902-2131](#) [M902-2161](#) [72.330.1035.1](#) [73.353.4028.0](#) [F119300-B](#) [F166900](#) [F258300-B](#) [F358300-B](#)  
[F407400](#) [F444110](#) [F487000](#) [F509500B-B](#) [827153-1](#) [8N1515-32-24P](#) [9-1326729-8](#) [925474-1](#) [928905-1](#) [964562-4](#) [968782-1](#) [GT17SA-8DS-](#)  
[HU](#) [98891-1012](#) [98947-1016](#) [12004475-L](#) [12010290](#) [12010309-B](#) [12015454](#) [12020219-B](#) [12020308](#) [12041318-B](#) [12052225-L](#) [12052466](#)  
[12059125](#) [12064869](#) [12004327-B](#) [12010503-B](#) [12015308](#) [12015384](#) [12015909](#) [1-21030-1](#) [12041254](#) [12041318](#) [12047946-B](#) [12047957](#)  
[12047957-L](#) [12059473](#) [12066261](#) [12110546](#)