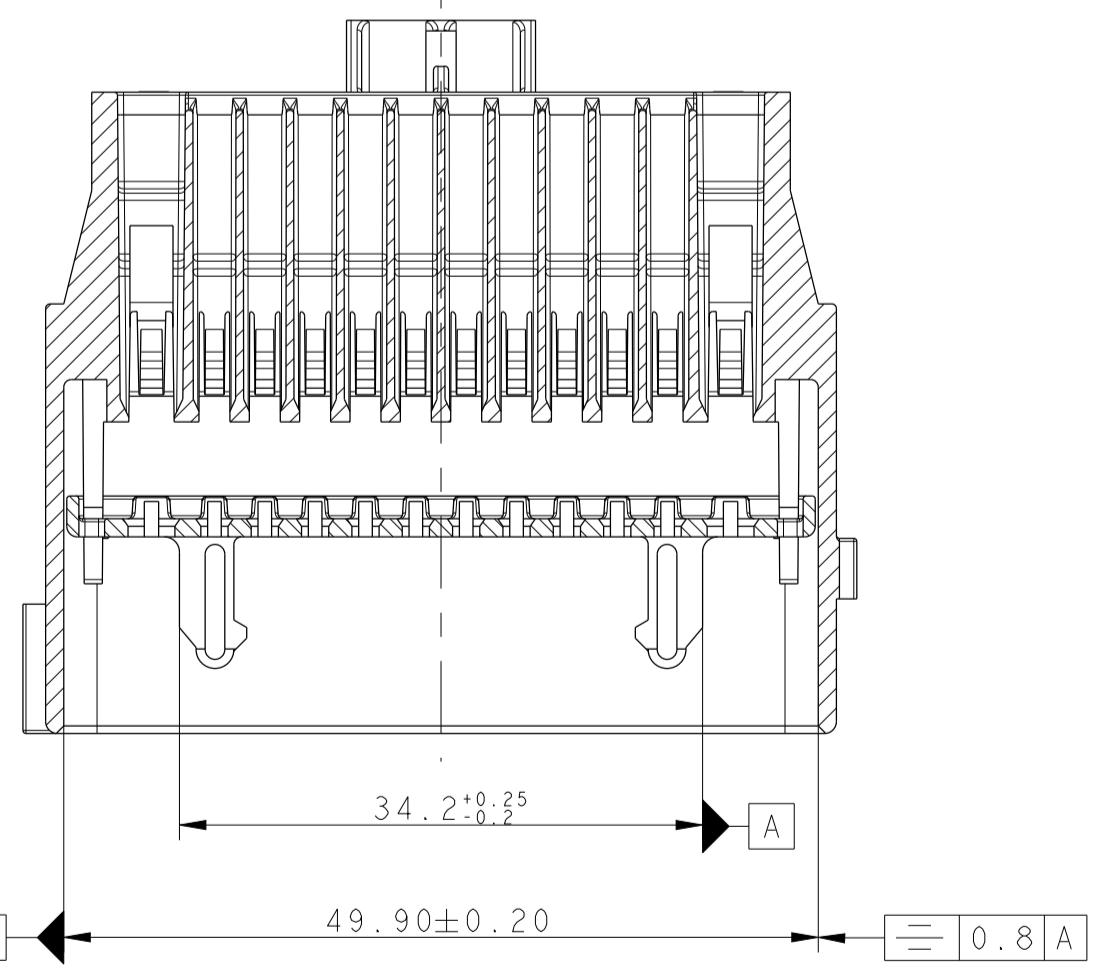
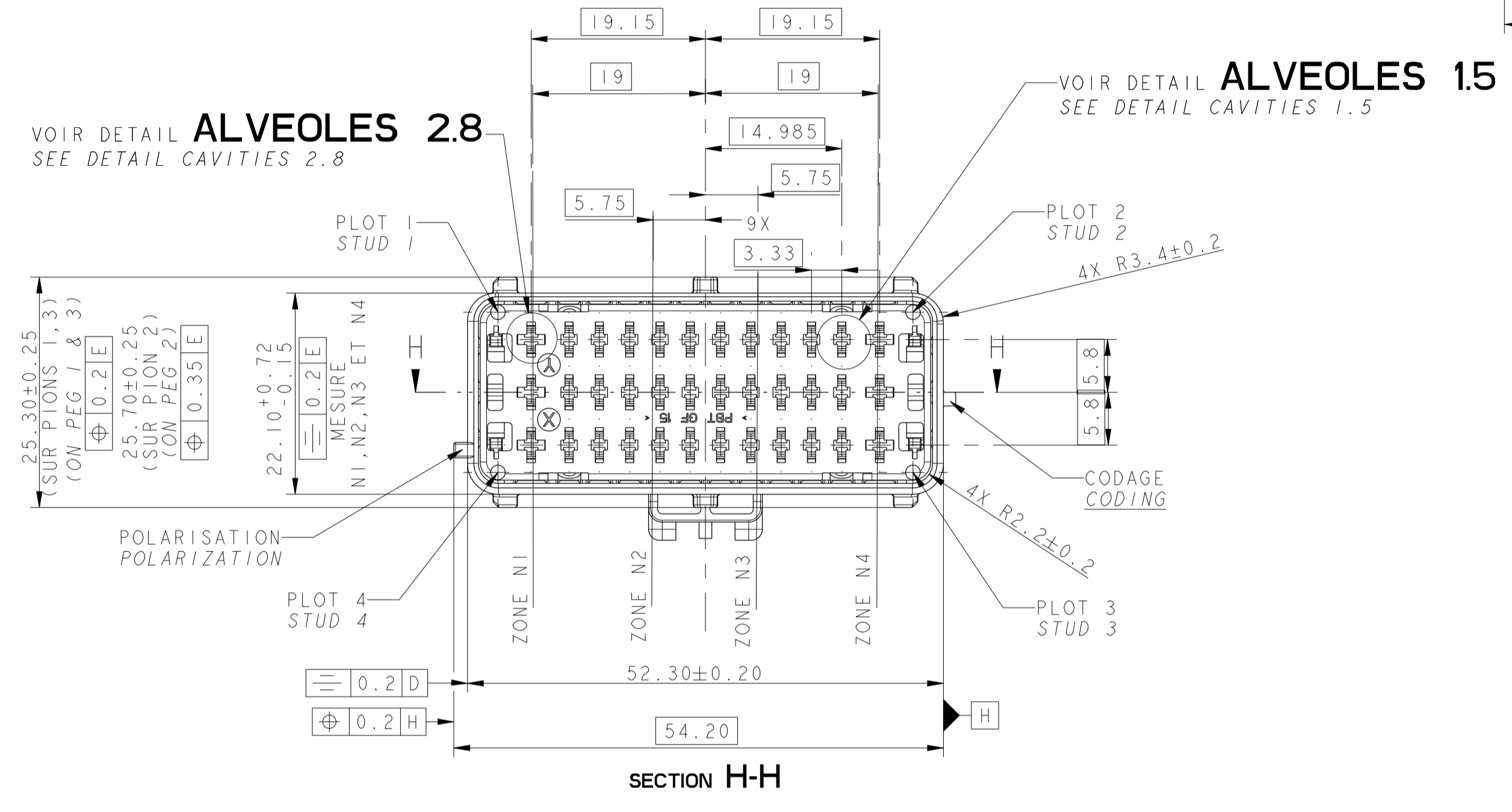


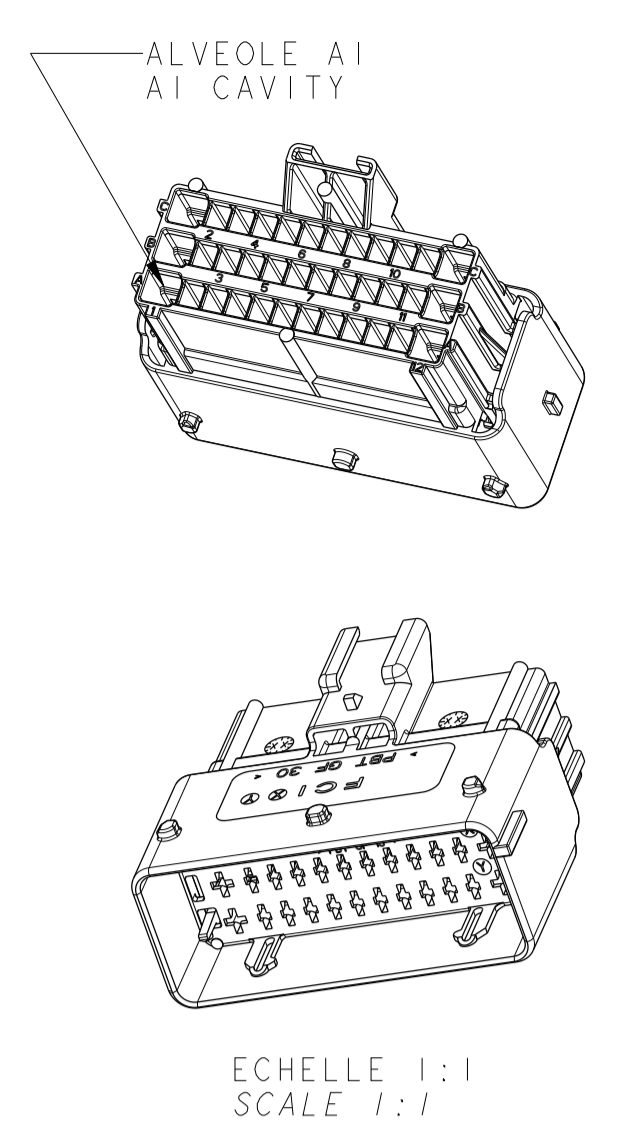
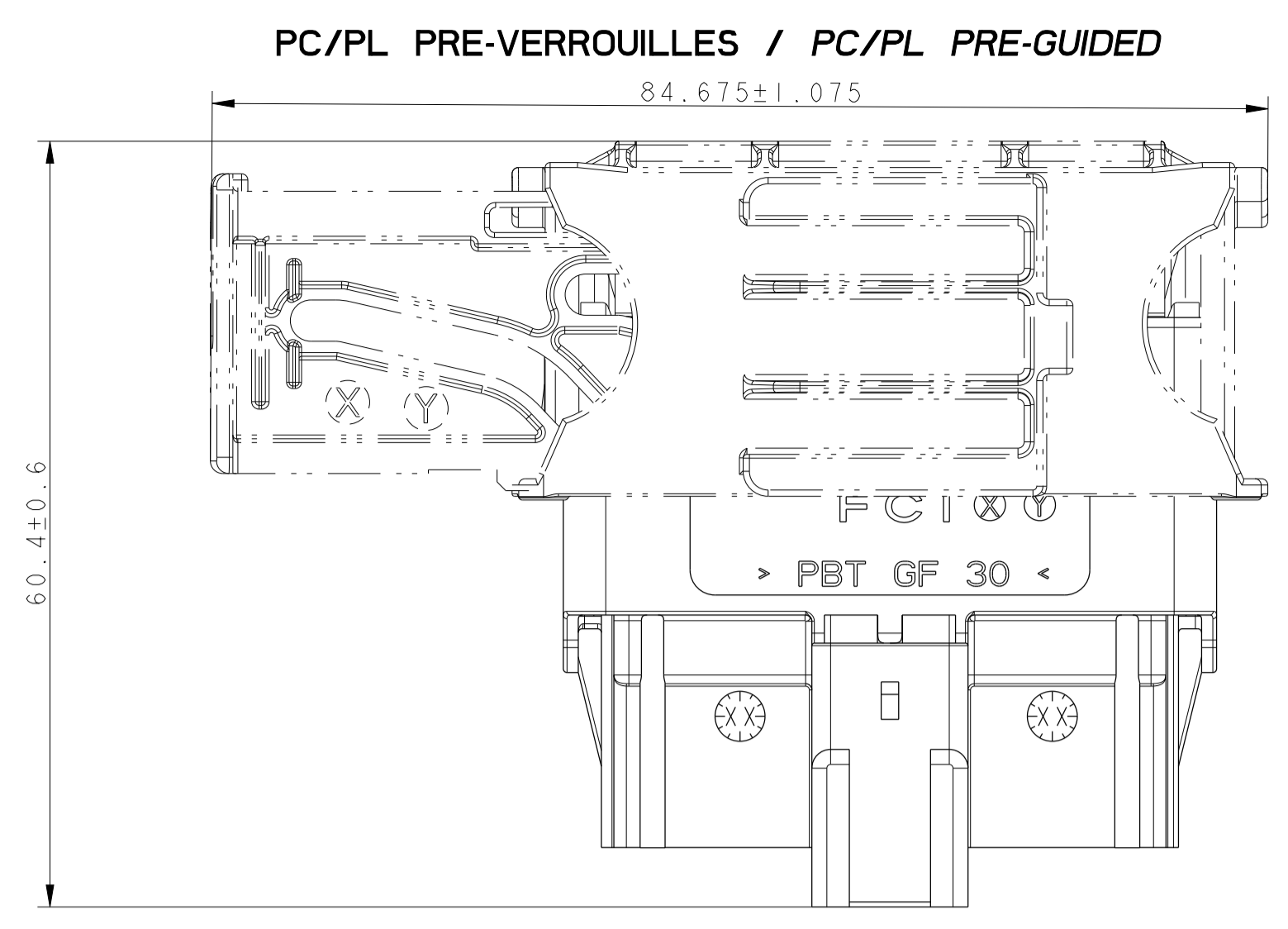
VUE SUIVANT F VIEW FOLLOWING F TOLERANCE TOLERANCY ±0.05				
	CODAGE CODING	CODAGE 1 CODING 1	CODAGE 2 CODING 2	CODAGE 3 CODING 3
	COULEUR ISOLANT COLOR OF THE MALE HSG	NOIR BLACK	GRIS GREY	BLEU BLUE
	REFERENCE ISOLANT P/N OF THE MALE HSG	PP10000105	PP10000224	PP10000225
	REFERENCE MVL DE L'ASSEMBLAGE MVL P/N OF ASSEMBLY	PP10000104 INDICE A PP10000104 REVISION A	PP10000142 INDICE A PP10000142 REVISION A	PP10000348 INDICE A PP10000348 REVISION A
REFERENCE IMDS IMDS ID	52114548	95233832	-----	
REFERENCE DELPHI DE L'ASSEMBLAGE DELPHI P/N OF ASSEMBLY	13651194 INDICE 01 13651194 REVISION 01	33502301 INDICE 01 33502301 REVISION 01	33511068 INDICE 01 33511068 REVISION 01	



NOMENCLATURE / PARTS LIST					
REP. MARK	QTE	DESIGNATION DESCRIPTION	MATIERE MATERIAL	COULEUR COLOUR	REFERENCE MVL MVL P/N
2	1	GRILLE DE PROTECTION PROTECTIVE GRID	PBT 15% FV PBT GF 15	NOIR BLACK	PP10000106
1	1	ISOLANT PORTE-LANGUETTES MALE HOUSING	PBT 30% FV PBT GF 30	VOIR CODAGE SEE CODING	

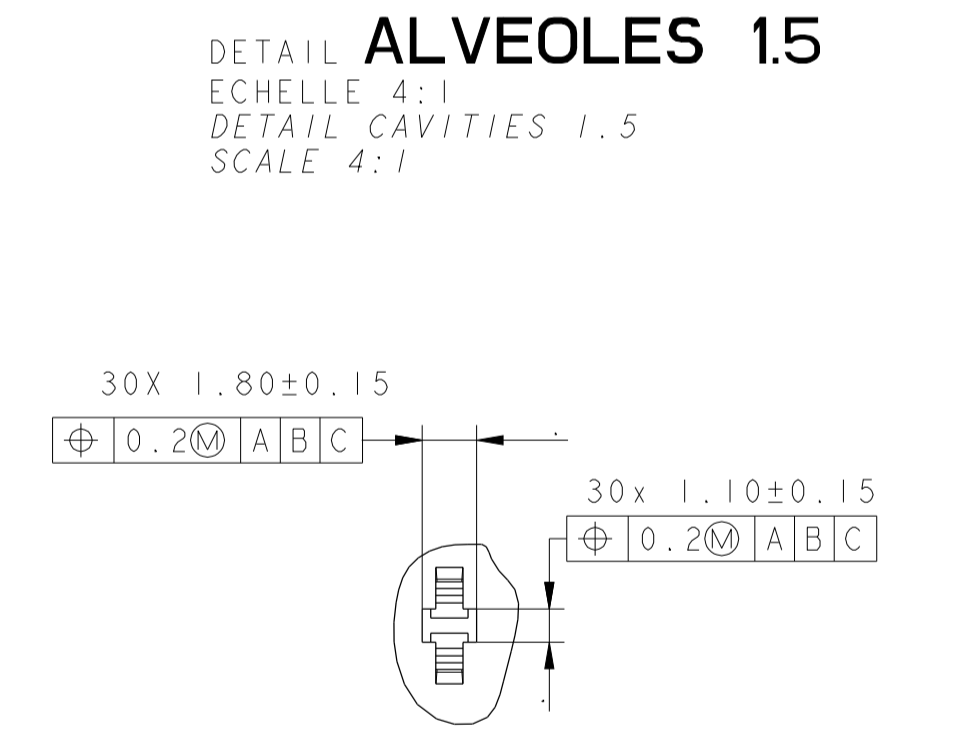
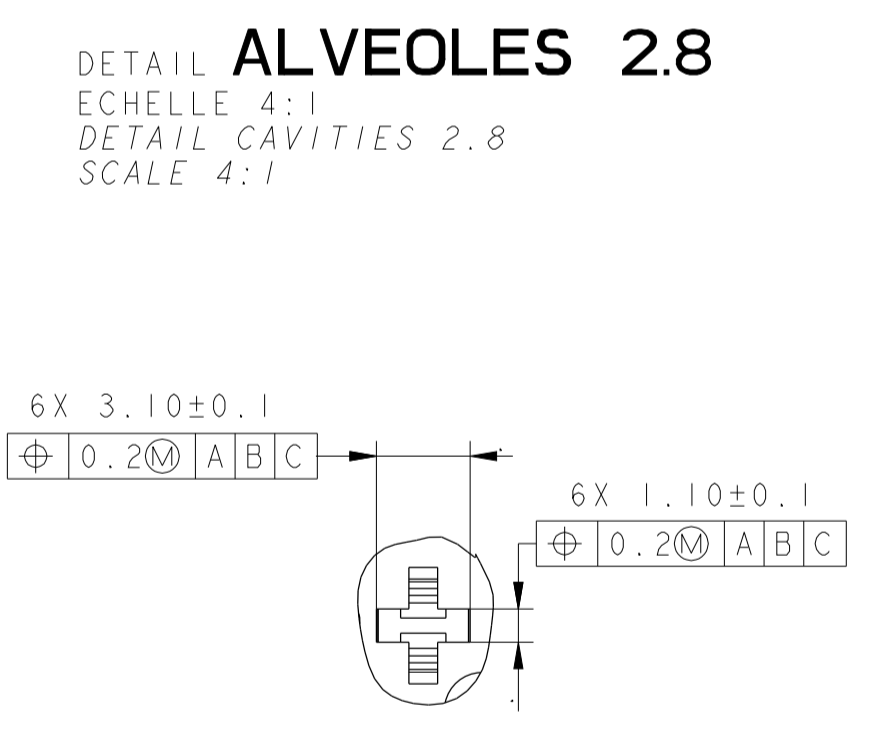
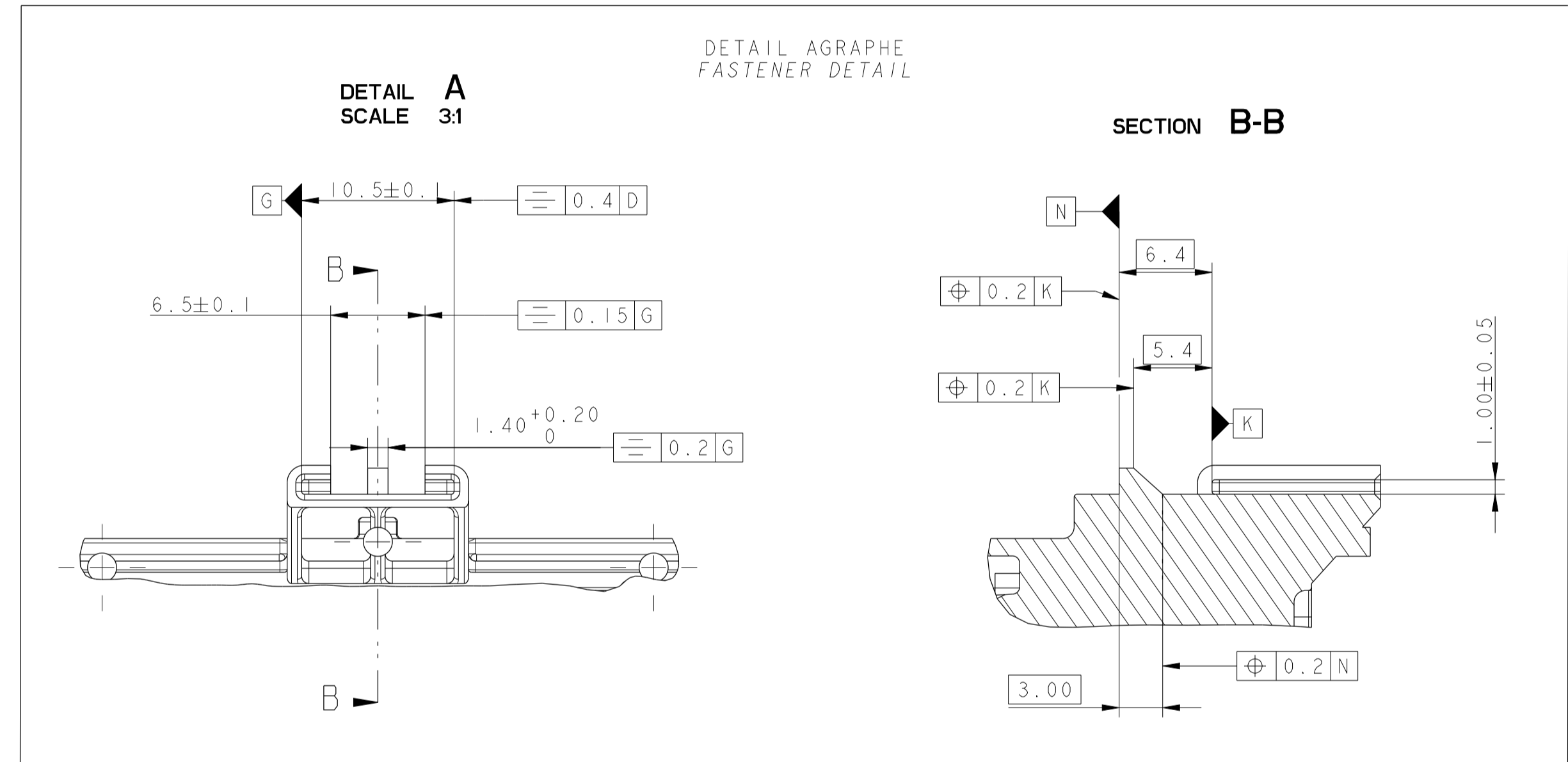
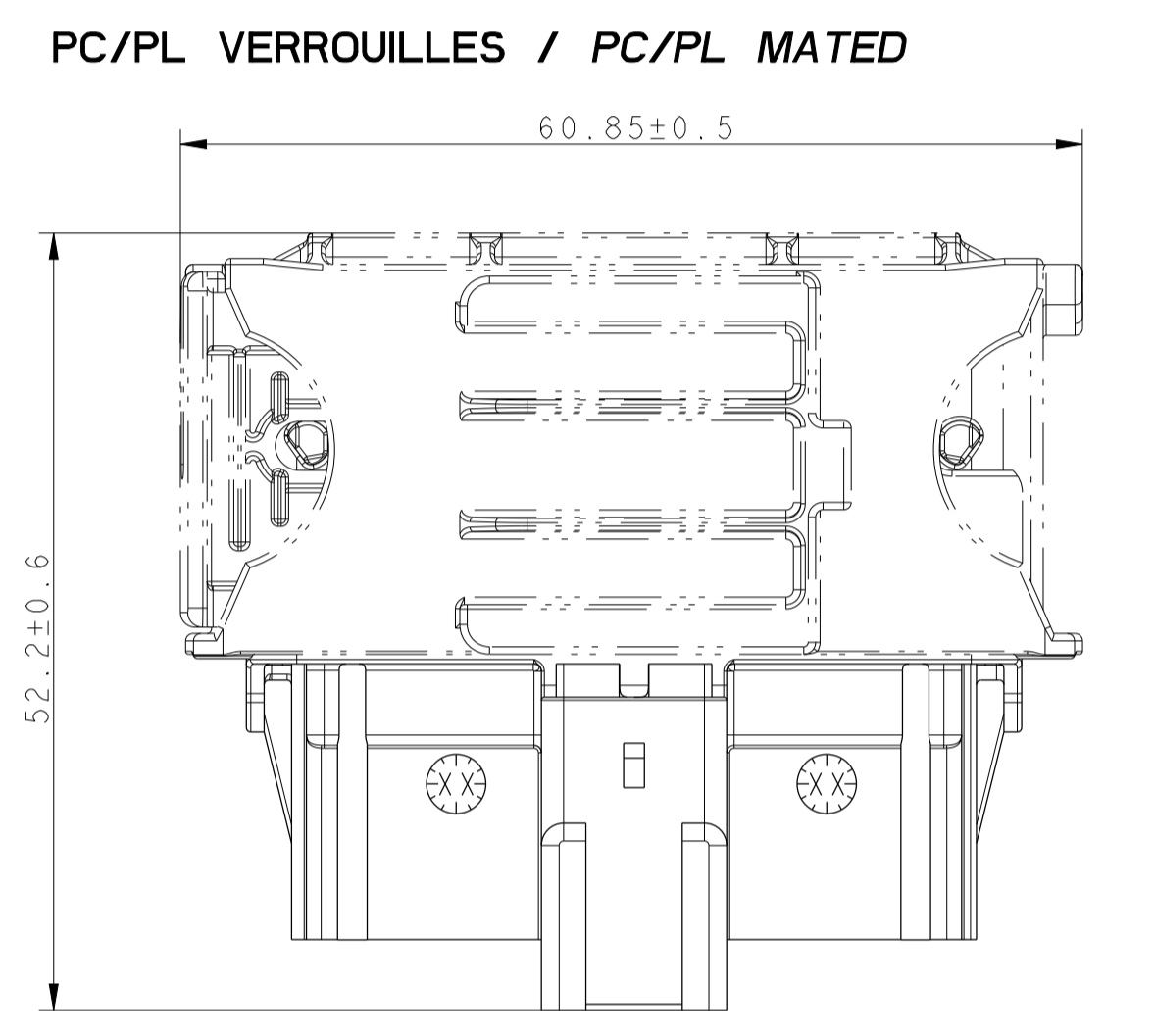
ECN-NO. / NUMERO ECN		POSITION / POSITION		CHANGE DESCRIPTION / MODIFICATION	
PROJECT SPEC. / SPECIF. PRODUIT		PACKAGING SPEC. / SPECIF. EMBALAGE		APPLICATION SPEC. / SPECIF. APPLICATION	
TOLERANCES / TOLERANCES		±0.2 ±2*		MATERIE / MATERIAL: SEE TABLE	
CONTRIBUTOR / CONTRIBUTEUR		SEE TABLE		COULEUR / COLOUR: SEE TABLE	
DO NOT MEASURE DRAWING / NE PAS MESURER LE DROIT		DATE / DATE		TITRE / DESIGNATION	
CREATED BY / CREE PAR		DATE / DATE		TITRE / DESIGNATION	
MODIFIED BY / MODIFIE PAR		DATE / DATE		TITRE / DESIGNATION	
APPROVED BY / APPROUVE PAR		DATE / DATE		TITRE / DESIGNATION	
FILE NAME / NOM DE FICHIER		PCC0828895		NO MODIFICATION ALLOWED OUTSIDE / PAS DE MODIFICATION EN DEHORS	

DELPHI		DELPHI PACKARD ELECTRICAL/ELECTRONIC ARCHITECTURE	
EPCOR FRANCE		EPCOR FRANCE	
DRAWING NUMBER / REF. PLAN		PCC0828895	
STATE / ETAT		SERIAL RELEASED	
PART NUMBER / REF. ARTICLE		36 W UNSEALED MALE CONNECTOR	
PART NUMBER / REF. ARTICLE		36W UNSEALED CONNECTORS	
SCALE / ECHELLE		1:1	

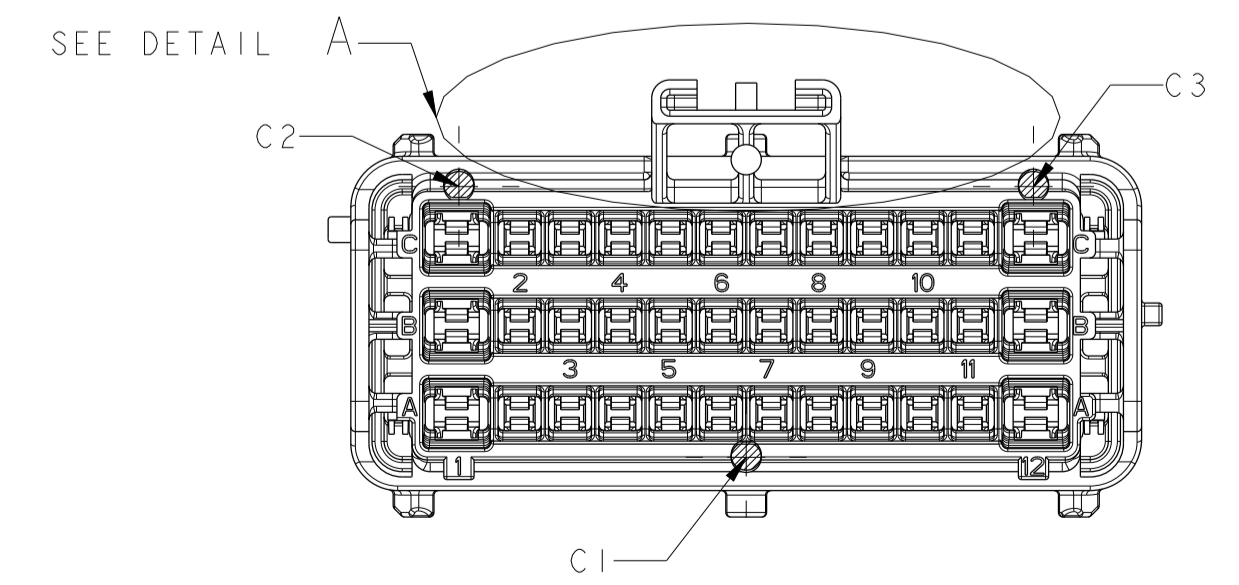


PRODUITS ASSOCIES (POUR INFORMATION) / ASSOCIATED PARTS (FOR INFORMATION)

LANGUETTES MALE TERMINALS		GAMME 1 RANGE 1	SECTION DE FIL WIRE SECTION	GAMME 2 RANGE 2	SECTION DE FIL WIRE SECTION	GAMME 3 RANGE 3	SECTION DE FIL WIRE SECTION			
1.5 SICMA 2	ETAME / TINNED CLASSE 125*	DELPHI REF. CUSTOMER DRAWING MVL REF. 10738196 PC211CL2SXX0 211 CL 2 S 1 120	0.352 - 1.252	10738197 PC211CL2SXX0 211 CL 2 S 2 120	1.42 - 22	10738202 PC211CL3SXX2X 211 CL 3 S 3 120	32 - 52			
	DORE / GOLDED 0.2µm	DELPHI REF. CUSTOMER DRAWING MVL REF. 10725620 PC211CL2SXX0 211 CL 2 S 1 220								
DORE / GOLDED 1.27µm	DELPHI REF. CUSTOMER DRAWING MVL REF. 10763712 PC211CL2SXX0 211 CL 2 S 1 230									
ETAME / TINNED CLASSE 125*	DELPHI REF. CUSTOMER DRAWING MVL REF. 10730997 PC211CL2SXX6X 211 CL 2 S 1 160	15368852 PC211CL2SXX6X 211 CL 2 S 2 160								
DORE / GOLDED 0.2µm	DELPHI REF. CUSTOMER DRAWING MVL REF. 10793528 PC211CL2SXX6X 211 CL 2 S 1 260	10738201 PC211CL3SXX2X 211 CL 3 S 2 120								
DORE / GOLDED 1.27µm	DELPHI REF. CUSTOMER DRAWING MVL REF. 10889655 PC211CL2SXX6X 211 CL 2 S 1 460									
2.8 SICMA 2	ETAME / TINNED CLASSE 125*	DELPHI REF. CUSTOMER DRAWING MVL REF. 10738582 PC211CL3SXX2X 211 CL 3 S 1 120	0.352 - 1.252	10738201 PC211CL3SXX2X 211 CL 3 S 2 120	1.42 - 22	10738202 PC211CL3SXX2X 211 CL 3 S 3 120	32 - 52			
	DORE / GOLDED 0.2µm	DELPHI REF. CUSTOMER DRAWING MVL REF. 33501963 PC211CL3SXX20 211 CL 3 S 1 220								
ETAME / TINNED CLASSE 125*	DELPHI REF. CUSTOMER DRAWING MVL REF. 10779316 PC211CL3SXX6X 211 CL 3 S 1 160	10756743 PC211CL3SXX6X 211 CL 3 S 2 160								
DORE / GOLDED 0.2µm	DELPHI REF. CUSTOMER DRAWING MVL REF.									
DESIGNATION DESCRIPTION		REFERENCE MVL MVL PART NUMBER		REV.				PLAN CLIENT CUSTOMER DRAWING	REFERENCE DELPHI DELPHI PART NUMBER	REV.
PORTE-CLIPS CODAGE NOIR ETRIER A GAUCHE FEMALE CONNECTOR BLACK CODING SLIDER DEVICE AT LEFT		PP10000108		A				PCC0001641	33500789	01
PORTE-CLIPS CODAGE NOIR ETRIER A DROITE FEMALE CONNECTOR BLACK CODING SLIDER DEVICE AT RIGHT		PP10000249	B	PCC0001641	13651269	01				
PORTE-CLIPS CODAGE GRIS ETRIER A GAUCHE FEMALE CONNECTOR GREY CODING SLIDER DEVICE AT LEFT		PP10000346	C	PCC0001641	33511062	01				
PORTE-CLIPS CODAGE GRIS ETRIER A DROITE FEMALE CONNECTOR GREY CODING SLIDER DEVICE AT RIGHT		PP10000344	C	PCC0001641	33511064	01				



VUE ARRIERE DU CONNECTEUR (COTE CABLAGE)
BACK VIEW OF THE CONNECTOR (HARDNESS SIDE)



ECN-NO. NUMERO ECN	POSITION	CHANGE DESCRIPTION MODIFICATION
-	-	INITIAL RELEASE

**TOLERANCES
TOLERANCES** ±0.2 ±2*

**CONTRIBUTOR N°
CONTRIBUTEUR N°** SEE TABLE

**DO NOT MEASURE DRAWING
NE PAS MESURER LE DRESSAGE** SEE TABLE

**CREATED BY
DATE** J. HOLLANDER 20150907

**MODIFIED BY
DATE** F. FAURE 20150918

**DESIGNED BY
DATE** S. LACOTE 20150918

**APPROVED BY
DATE** PASCAL MENARD 20150918

FILE NAME PCC0828895

**MATERIAL :
MATERIE :** SEE TABLE

**COLOR :
COULEUR :** SEE TABLE

**TOOL NO.
OUTIL N°** -

**ECO EXT. CODE
CODE E.C.** FE

**DRAWING NUMBER
REF. PLAN** PCC0828895

**STATE
ETAT** SERIAL RELEASED

**DATE
DATE** 20150918

**PROJECT
PROJET** 36 W UNSEALED MALE CONNECTOR

**DESIGNATION
TITRE** 36W UNSEALED CONNECTORS

**ESR NO.
NUMERO ESR** EU040335

NUMERO CAP. PCC0001642

**NUMERO PART.
NUMERO PARTIE** PCC0001642

**NO MODIFICATION ALLOWED OUTSIDE
PAS DE MODIFICATION EN DEHORS** See Table

DELPHI DELPHI PACKARD ELECTRICAL/ELECTRONIC ARCHITECTURE
EPFREMONT, FRANCE

CAU SYSTEM pro / eng.

**DIMENSIONS IN
MILLIMETERS** DIMENSIONS EN
MILLIMETRES

**APPROVAL LEVEL
NIV. D'APPROBATION** A

**SHEET
FEUILLE** 2

**REV.
IND.** 2

**SCALE
ECH.** 1:1

X-ON Electronics

Largest Supplier of Electrical and Electronic Components

Click to view similar products for [Automotive Connectors](#) category:

Click to view products by [APTIV](#) manufacturer:

Other Similar products are found below :

[003-018-000](#) [60403001](#) [60993906-B](#) [629515004020001](#) [M902-2131](#) [M902-2161](#) [72.330.1035.1](#) [73.353.4028.0](#) [F119300-B](#) [F166900](#)
[F258300-B](#) [F358300-B](#) [F407400](#) [F444110](#) [F487000](#) [F509500B-B](#) [827153-1](#) [8N1515-32-24P](#) [9-1326729-8](#) [925474-1](#) [928905-1](#) [964562-4](#)
[968782-1](#) [GT17SA-8DS-HU](#) [98891-1012](#) [98947-1016](#) [12004475-L](#) [12010290](#) [12010309-B](#) [12015454](#) [12020219-B](#) [12020308](#) [12041318-B](#)
[12052225-L](#) [12052466](#) [12059125](#) [12064869](#) [12004327-B](#) [12010503-B](#) [12015308](#) [12015384](#) [12015909](#) [1-21030-1](#) [12041254](#) [12041318](#)
[12047946-B](#) [12047957](#) [12047957-L](#) [12059473](#) [12066261](#)