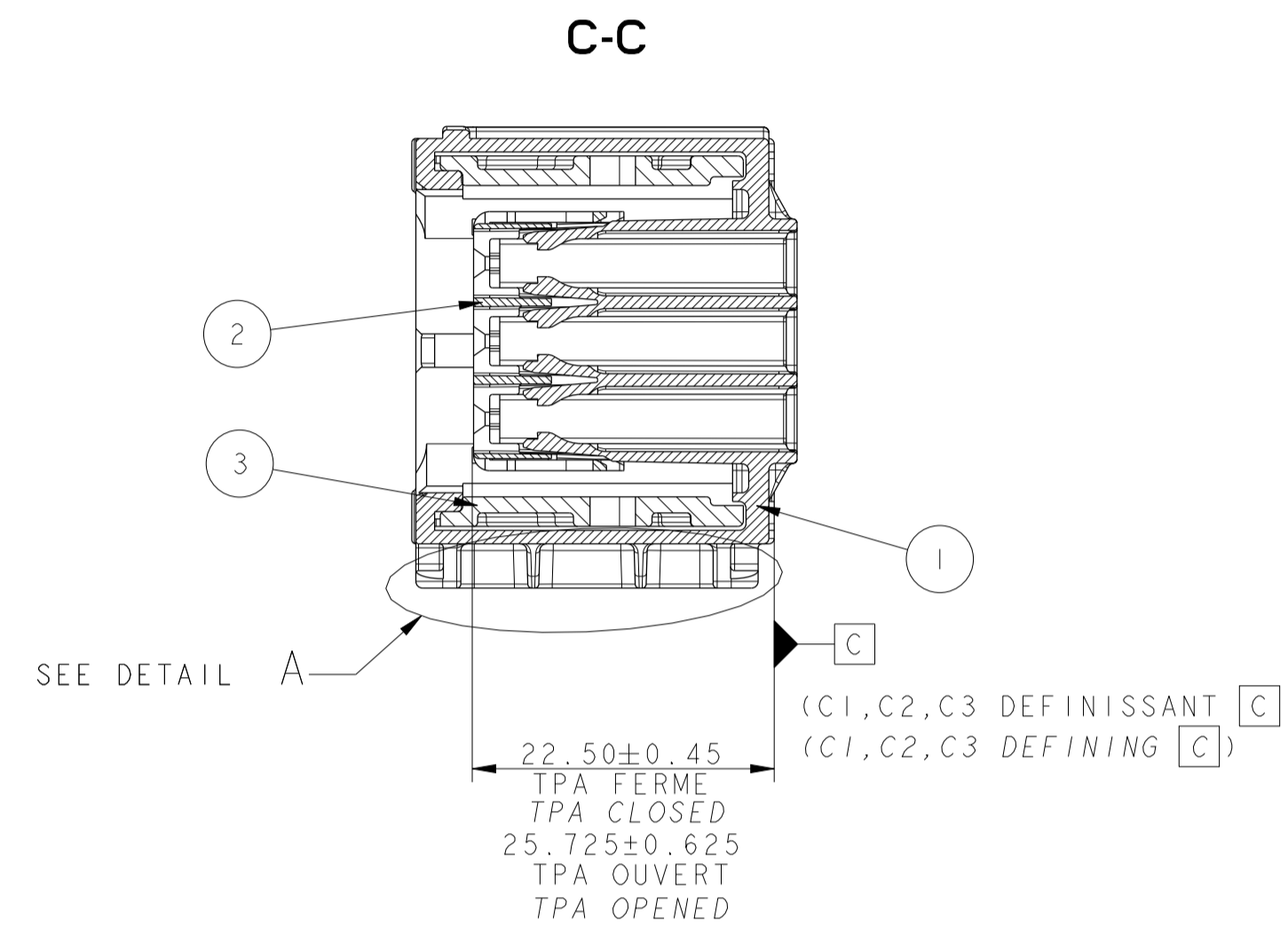
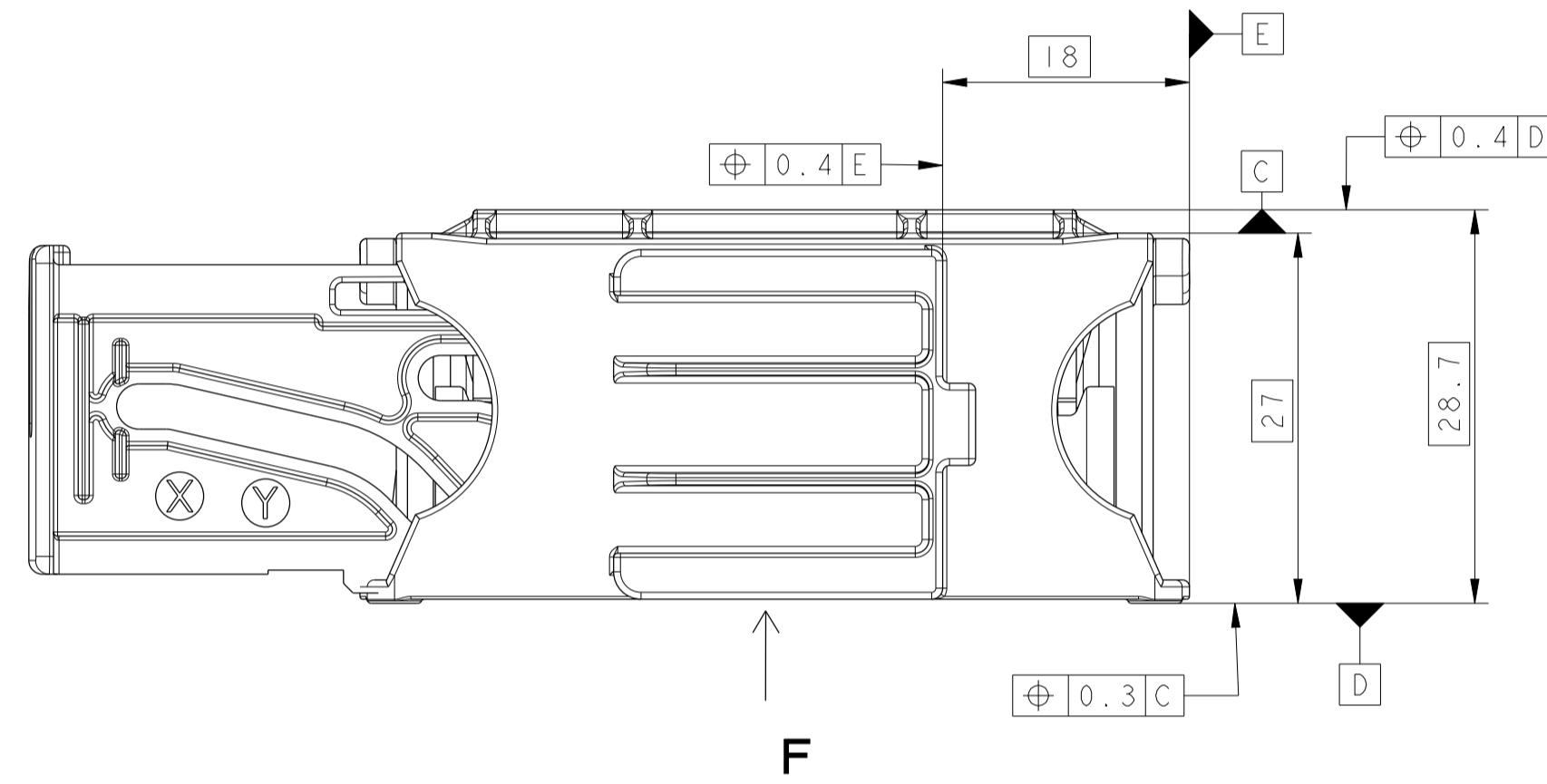
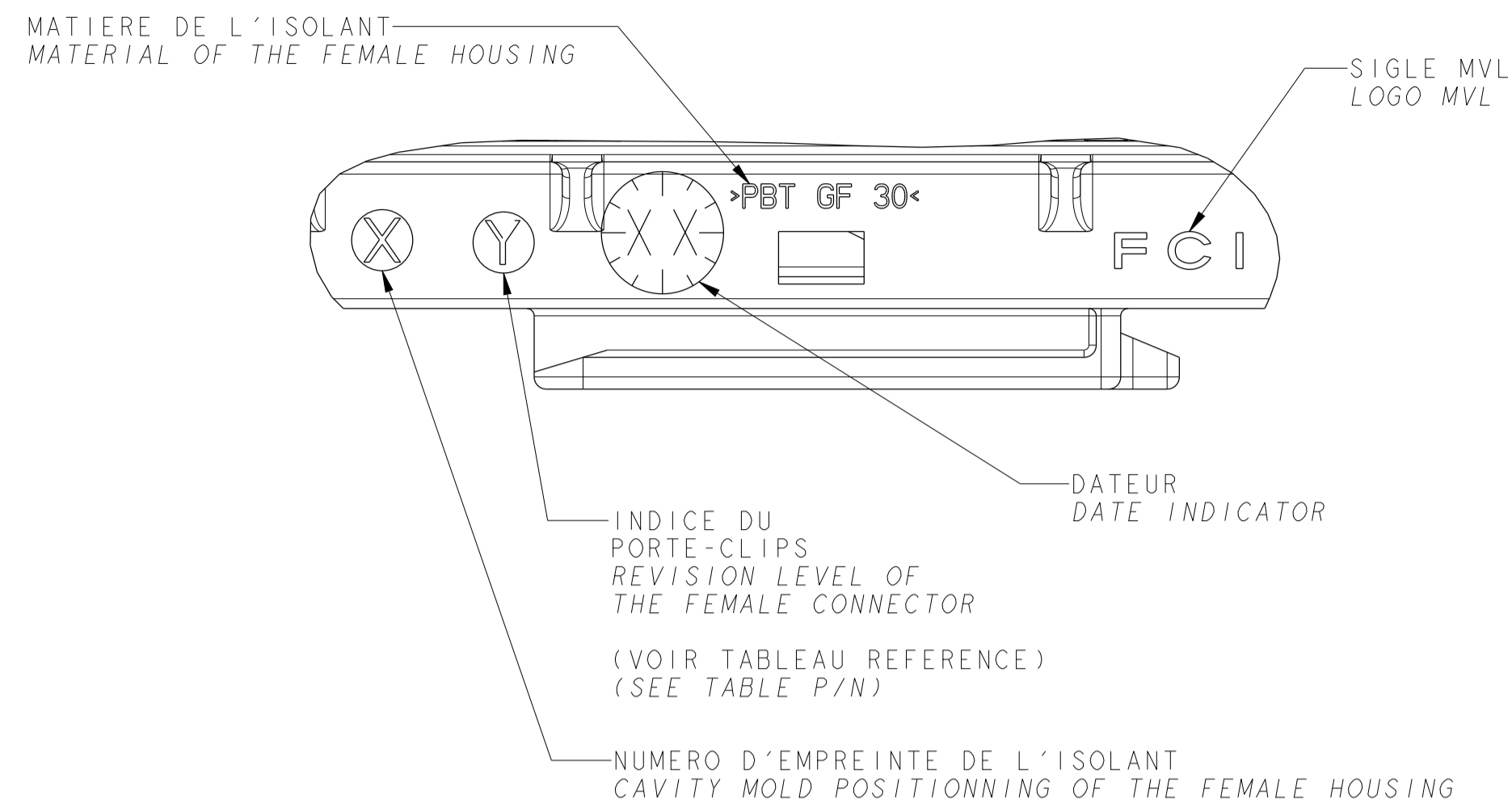
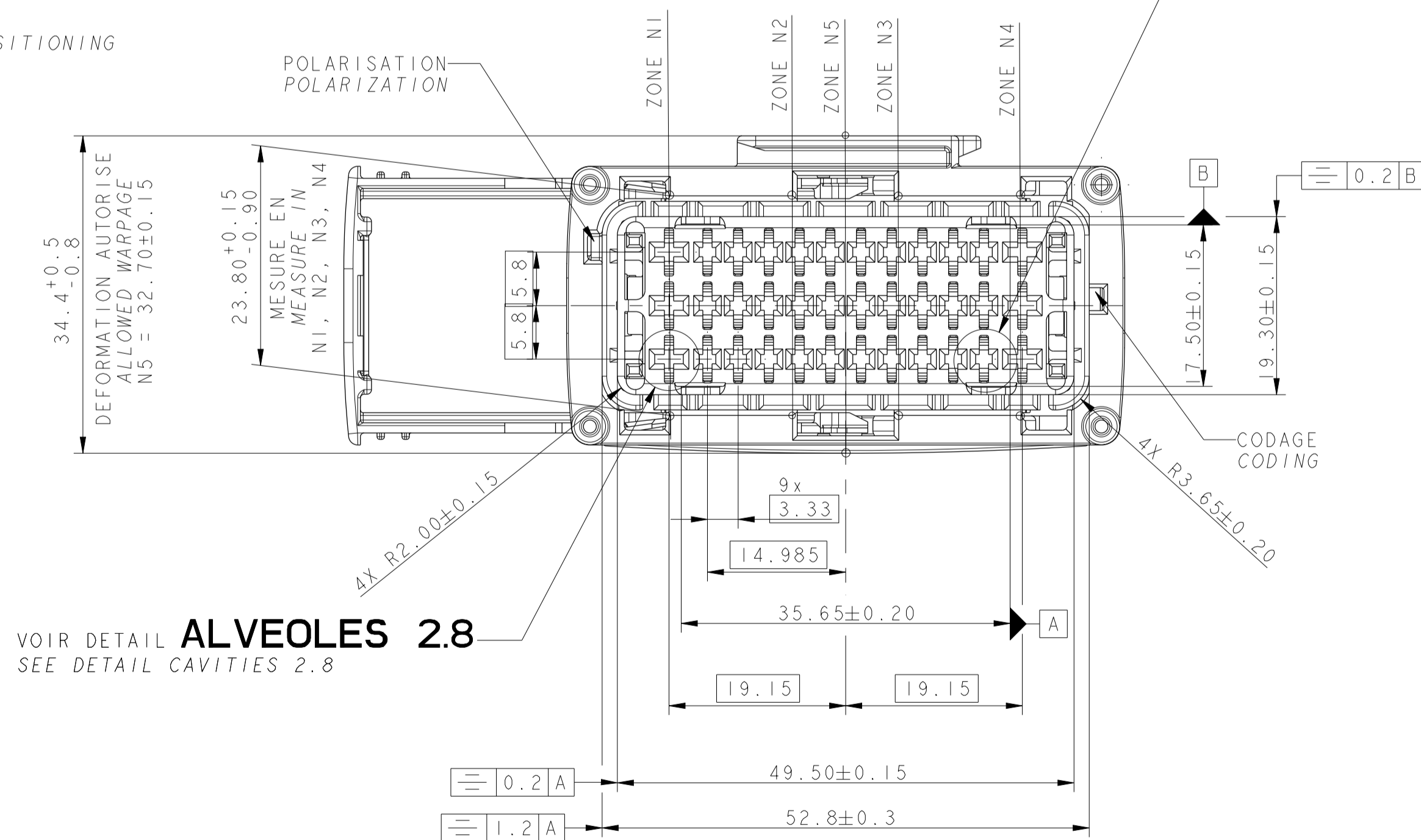
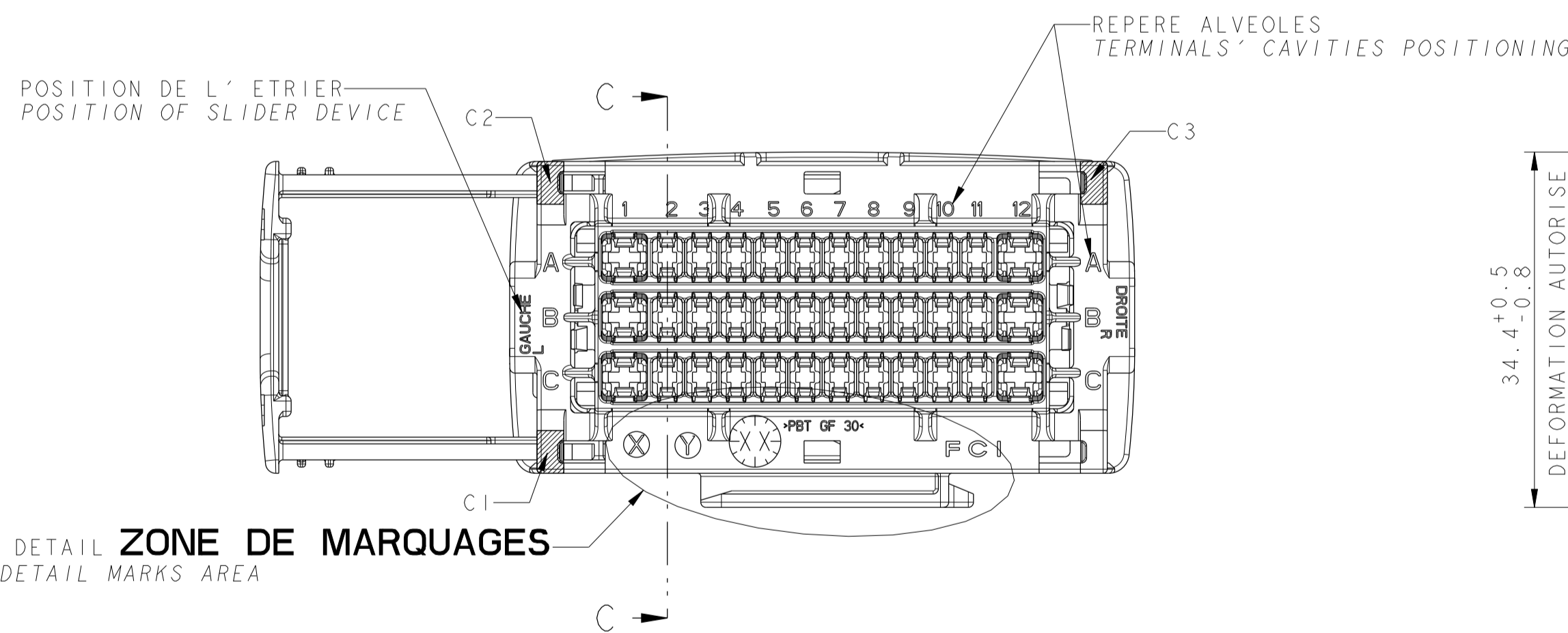


DETAIL ZONE DE MARQUAGES
Echelle 4:1
DETAIL MARKS AREA
SCALE 3:1



VOIR DETAIL ALVEOLES 15
SEE DETAIL CAVITIES 1.5



VOIR DETAIL ALVEOLES 2.8
SEE DETAIL CAVITIES 2.8

NOMENCLATURE / PARTS LIST					
3	1	ETRIER SLIDER DEVICE	PA6.6 30% FV PA6.6 GF 30	BLEU BLUE	PP10000111
2	1	GRILLE TPA GRID TPA	PBT 30% FV PBT GF 30	JAUNE YELLOW	PP10000110
1	1	ISOLANT PORTE-CLIPS FEMALE HOUSING	PBT 30% FV PBT GF 30	VOIR CODAGE SEE CODING	
REP. ITEM	QTE. QTY	DESIGNATION DESCRIPTION	MATIERE MATERIAL	COULEUR COLOR	REFERENCE MVL MVL P/N

ATTENTION: L'ETRIER NE PEUT SE FERME SANS ETRE ACCOUPLE A SA CONTRE-PARTIE
THE SLIDER DEVICE CANNOT BE CLOSED WITHOUT BEING MATED WITH ITS COUNTERPART

IMPORTANT: LE PORTE-CLIPS SERA LIVRE AVEC L'ETRIER EN POSITION OUVERT.
THE FEMALE CONNECTOR WILL BE DELIVERED WITH THE SLIDER DEVICE IN OPENED POSITION.

CONNECTEUR REPRESENTE AVEC L'ETRIER A GAUCHE, CODAGE NOIR
CONNECTOR REPRESENTS WITH THE SLIDER DEVICE TO THE LEFT, BLACK CODING

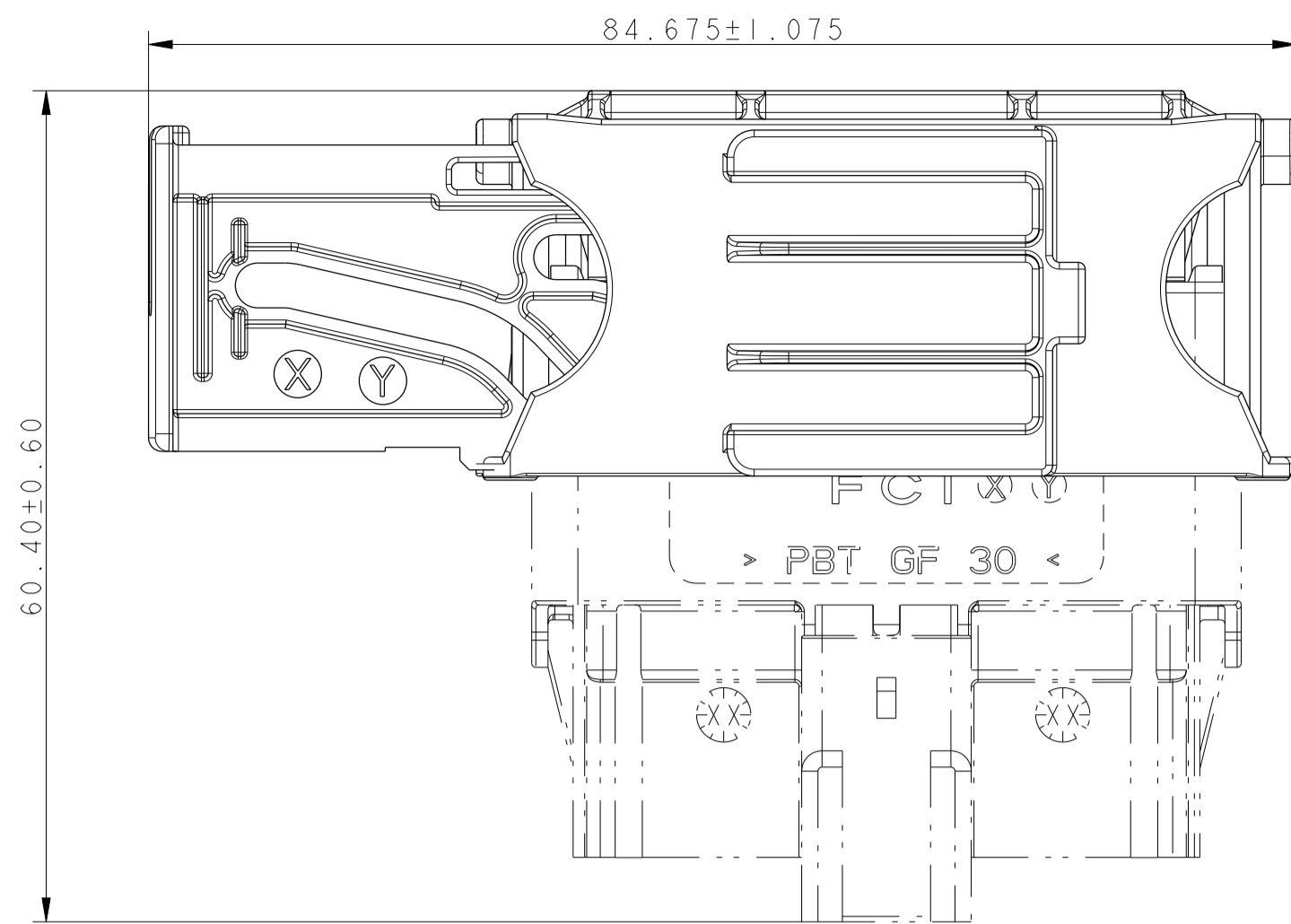
ECN-NO. NUMBER ECN	POSITION POSITION	CHANGE DESCRIPTION MODIFICATION
-	-	INITIAL RELEASE

PROJECT SPEC. SPECIFIC PRODUCT	PACKAGING SPEC. SPECIFIC PACKAGE	APPLICATION SPEC. SPECIFIC APPLICATION	COPYRIGHT DELPHI CORPORATION AND/OR ITS AFFILIATES. ALL RIGHTS RESERVED. REVISED THIS DRAWING IS THE PROPERTY OF DELPHI CORPORATION AND CONTAINS DELPHI CONFIDENTIAL INFORMATION. THE REPRODUCTION, DISTRIBUTION AND RELEASE OF THIS DOCUMENT OR ITS CONTENT OR ANY PART THEREOF, IN ANY FORM OR BY ANY MEANS, WITHOUT EXPRESS AUTHORIZATION, IS PROHIBITED.
SEE TABLE			DELPHI CONFIDENTIAL INFORMATION. THE REPRODUCTION, DISTRIBUTION AND RELEASE OF THIS DOCUMENT OR ITS CONTENT OR ANY PART THEREOF, IN ANY FORM OR BY ANY MEANS, WITHOUT EXPRESS AUTHORIZATION, IS PROHIBITED.

TOLERANCES TOLERANCES	±0.2	±2*	MATERIAL: SEE TABLE	ETAT DE SURFACE
CONTRIBUTOR N°	PP10000104		COLOR: SEE TABLE	
DO NOT REASURE DRAWING			TOOL NO.	ECO EXT. C494 FE
NE PAS RESURER DE COTE			DESIGNATION	

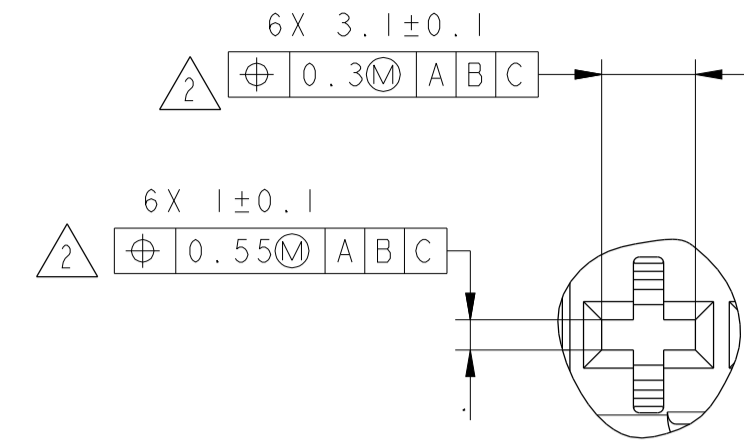
CREATED BY	DATE	NAME	TITLE	DRAWING NUMBER	REV.	APPROVAL LEVEL
COLL. PAR	20150907	J HOLLANDE	PROJECT	PCC0828894	A	SHEET
MODIF. PAR	20150703	F PALMIRE	PROJECT			1
VERIF. PAR	20150918	S LACOTE	PROJECT			2
APPROVED BY						
APP. PAR	20150918	Pascal MENARD	ESR NO. EUD40335	NUMERO CAP. PCC001641		
FILE NAME			DOCUMENT UNDER THIS CONTRACT DOCUMENT CODE: 5000 P. 25-35			
NUM DE FECHER	PCC0828894		NO MODIFICATION ALLOWED OUTSIDE PAS DE MODIFICATION EN DEHORS			

PC/PL PRE-VERROUILLES / PC/PL PRE-GUIDED



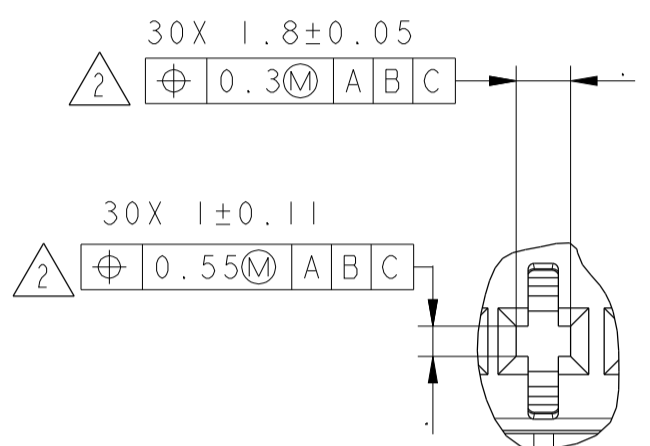
DETAIL ALVEOLES 2.8

ECHELLE 4:1
DETAIL CAVITIES 2.8
SCALE 4:1

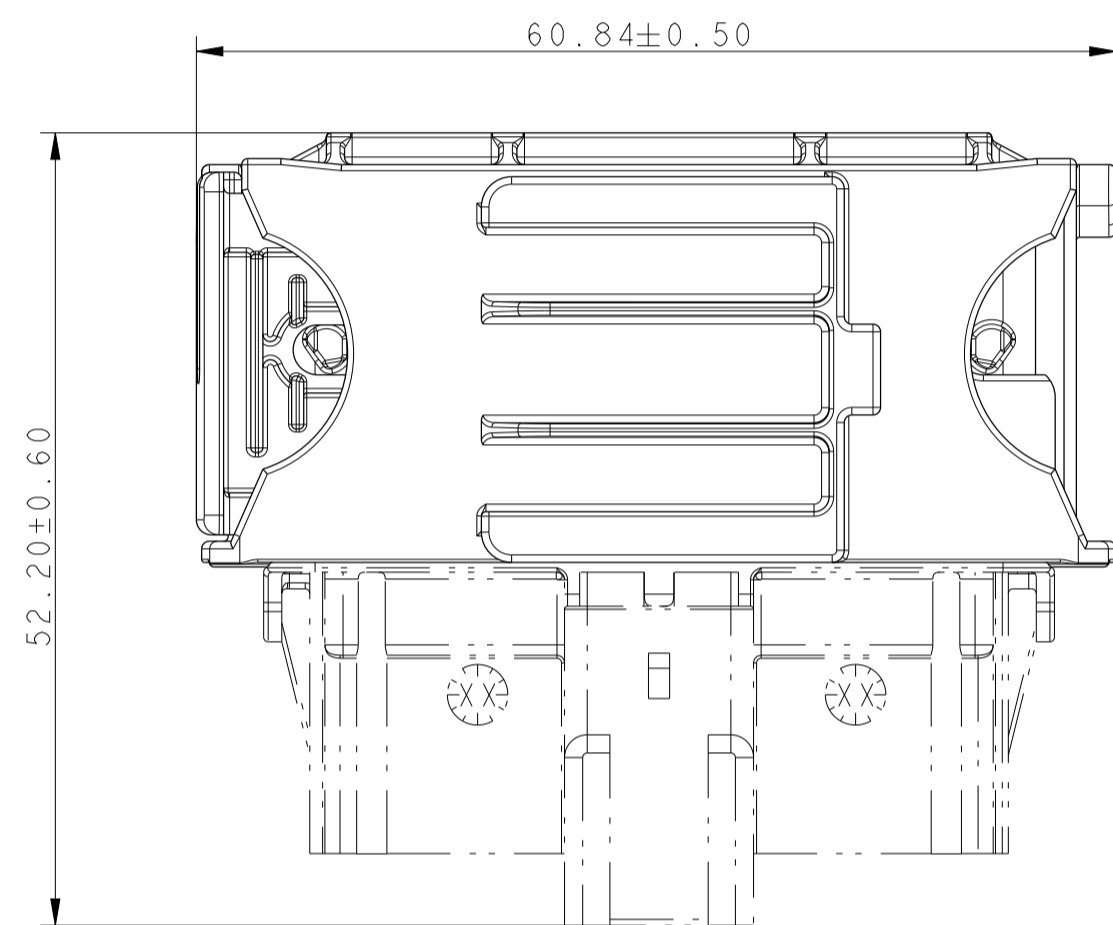


DETAIL ALVEOLES 1.5

ECHELLE 4:1
DETAIL CAVITIES 1.5
SCALE 4:1



PC/PL VERROUILLES / PC/PL MATED



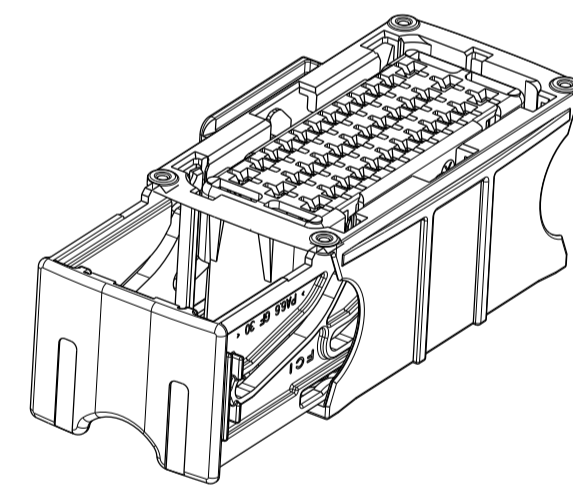
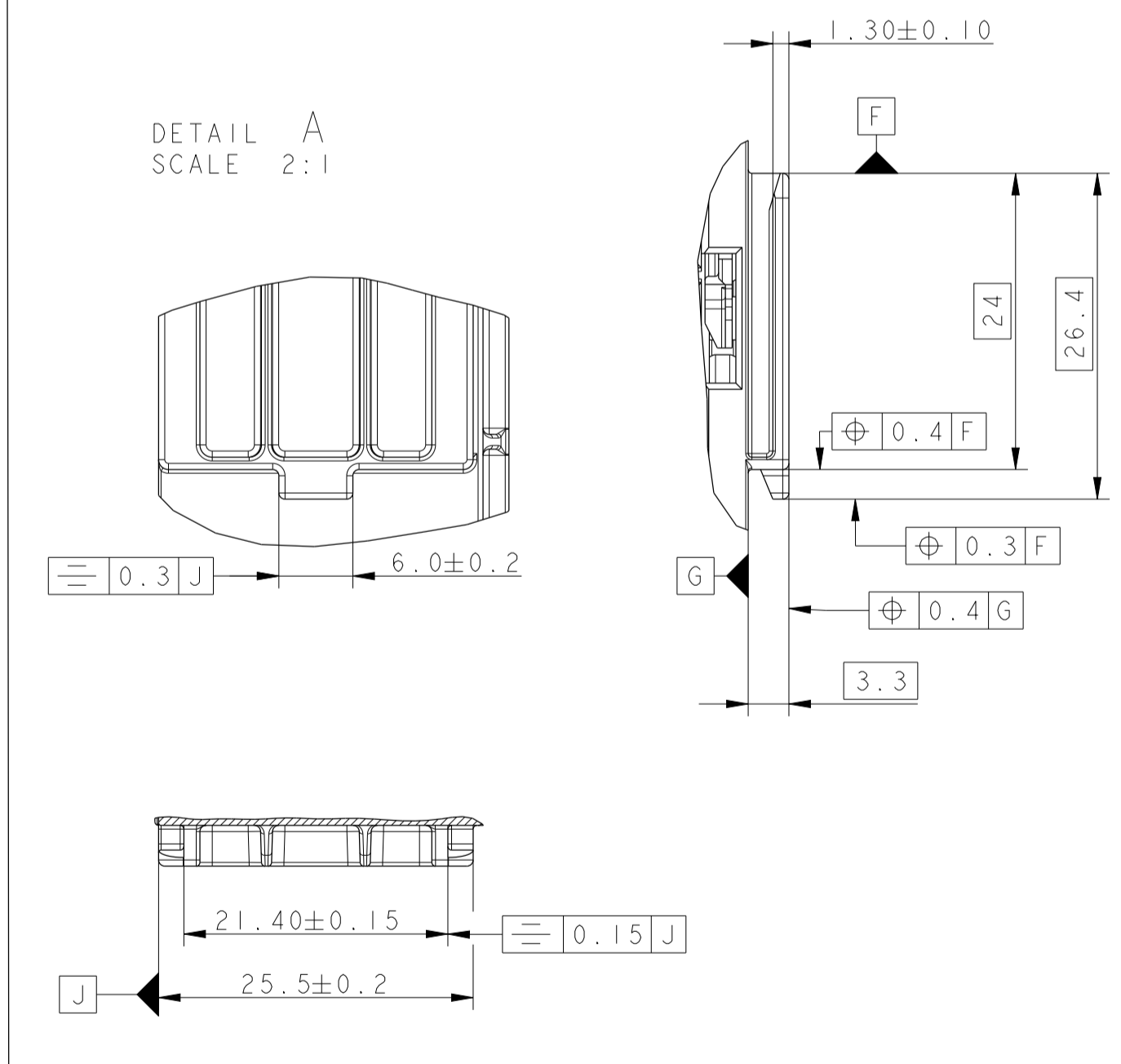
PRODUITS ASSOCIES (POUR INFORMATION) / ASSOCIATED PARTS (FOR INFORMATION)

CLIPS FEMALE TERMINALS	GAMME 1 RANGE 1	SECTION DE FILS WIRE SECTION	GAMME 4 RANGE 4	SECTION DE FILS WIRE SECTION	GAMME 2 RANGE 2	SECTION DE FILS WIRE SECTION	GAMME 3 RANGE 3	SECTION DE FILS WIRE SECTION
1.5 SICMA 2 ETAME / TINNED CLASSE 125°C DRE / GOLDED 0.2µm DRE / GOLDED 1.27µm	DELPHI REF. CUSTOMER DRAWING MVL REF. 10738188 PC211CC2SXXX0 211 CC 2 S 1 120 10727146 PC211CC2SXXX0 211 CC 2 S 1 220 10738192 PC211CC2SXXX0 211 CC 2 S 1 230 15368842 PC211CC2SXXX0 211 CC 2 S 1 150	0.352 - 0.752	10864068 PC211CC2SXXX0 211 CC 2 S 4 160	0.82 - 1.32	10726212 PC211CC2SXXX0 211 CC 2 S 2 120 1075258 PC211CC2SXXX0 211 CC 2 S 2 230 10725808 PC211CC2SXXX0 211 CC 2 S 2 150 10756749 PC211CC2SXXX0 211 CC 2 S 2 160	1.352 - 22	10725665 PC211CC3SXX20 211 CC 3 S 3 120	32 - 52
1.5 SICMA 3 ETAME / TINNED CLASSE 125°C DRE / GOLDED 1.27µm	DELPHI REF. CUSTOMER DRAWING MVL REF. 10740374 PC211CC2SXXX0 211 CC 2 S 1 160 10847225 PC211CC2SXXX0 211 CC 2 S 1 460 10725666 PC211CC3SXX20 211 CC 3 S 1 120							
2.8 SICMA 2 ETAME / TINNED CLASSE 125°C DRE / GOLDED 0.2µm	DELPHI REF. CUSTOMER DRAWING MVL REF. 10776105 PC211CC3SXX20 211 CC 3 S 1 220 10776116 PC211CC3SXX6X 211 CC 3 S 1 150							
2.8 SICMA 3 ETAME / TINNED CLASSE 85°C DRE / GOLDED 1.27µm	DELPHI REF. CUSTOMER DRAWING MVL REF. 10781041 PC211CC3SXX6X 211 CC 3 S 1 160 13567906 PC211CC3SXX6X 211 CC 3 S 1 460							
DESIGNATION DESCRIPTION	REFERENCE MVL MVL PART NUMBER	REVISION	PLAN CLIENT CUSTOMER DRAWING	REFERENCE DELPHI DELPHI PART NUMBER	REVISION			
PORTE-LANGUETTES CODAGE NOIR MALE CONNECTOR BLACK CODING	PPI0000104		PCC0001642	13651194				
PORTE-LANGUETTES CODAGE GRIS MALE CONNECTOR CODING GREY	PPI0000142			33502301				

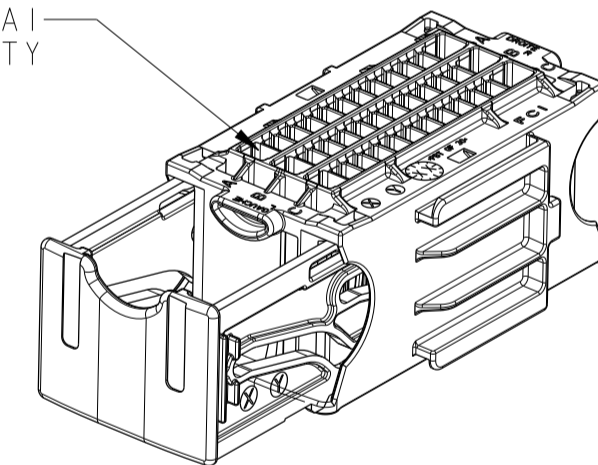
1) CONTACT CLASSE 85°C POUR UTILISATION POUR UNE CLASSE DE TEMPERATURE 1 UNIQUEMENT
CONTACT CLASS 85°C FOR USING FOR A TEMPERATUR CLASS 1 ONLY

DETAIL AGRAPHE FASTENER DETAIL

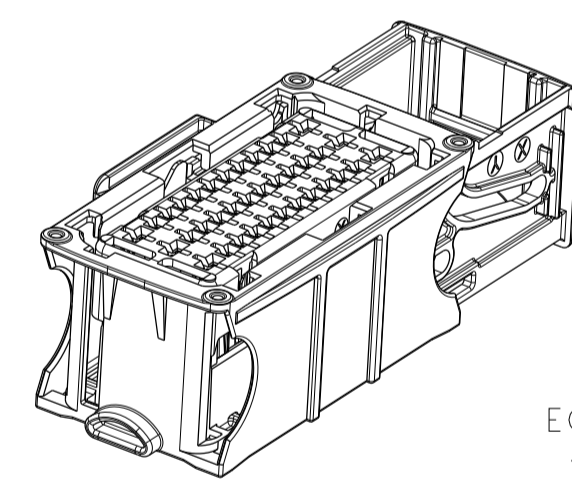
DETAIL A SCALE 2:1



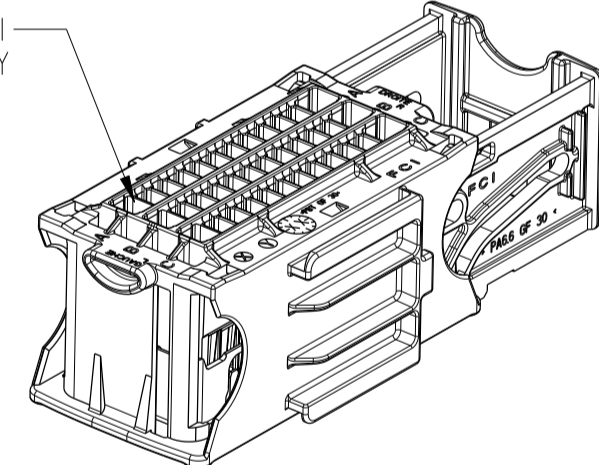
ALVEOLE AI AI CAVITY



ECHELLE 1:1
SCALE 1:1



ALVEOLE AI AI CAVITY

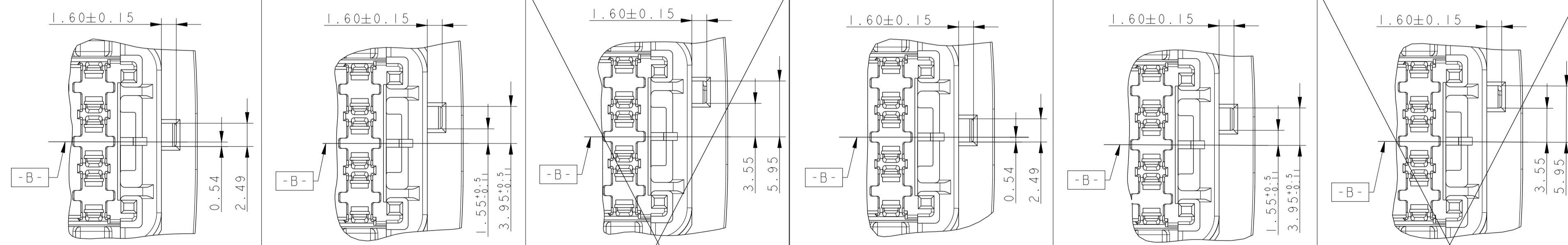


ECHELLE 1:1
SCALE 1:1

PC36V NON ETANCHE, ETRIER GAUCHE/36 W UNSEALED FEMALE CONNECTOR, SLIDER DEVICE LEFT

PC36V NON ETANCHE, ETRIER DROITE/36W UNSEALED FEMALE CONNECTOR, SLIDER DEVICE RIGHT

VUE SUIVANT F
VIEW FOLLOWING F
TOLERANCE
TOLERANCY
±0.05



CODAGE CODING	CODAGE 1 CODING 1	CODAGE 2 CODING 2	CODAGE 3 CODING 3	CODAGE 1 CODING 1	CODAGE 2 CODING 2	CODAGE 3 CODING 3
COULEUR ISOLANT COLOR OF THE FEMALE HSG	NOIR BLACK	GRIS GREY	BLEU BLUE	NOIR BLACK	GRIS GREY	BLEU BLUE
REFERENCE ISOLANT P/N OF THE FEMALE HSG	PPI0000109	PP10000226	PP10000227	PPI0000109	PP10000226	PP10000227
REFERENCE IMDS IMDS ID	52115837	95233703	-----	61705088	95233780	-----
REFERENCE MVL DE L'ASSEMBLAGE MVL P/N OF ASSEMBLY	PPI0000108 INDICE C PPI0000108 REVISION C	PP10000346 INDICE C PP10000346 REVISION C	PP10000347 INDICE C PP10000347 REVISION C	PP10000249 INDICE C PP10000249 REVISION C	PP10000344 INDICE C PP10000344 REVISION C	PP10000345 INDICE C PP10000345 REVISION C
REFERENCE DELPHI DE L'ASSEMBLAGE DELPHI P/N OF ASSEMBLY	33500789 INDICE 01 33500789 REVISION 01	33511062 INDICE 01 33511062 REVISION 01	33511063 INDICE 01 33511063 REVISION 01	13651269 INDICE 01 13651269 REVISION 01	33511064 INDICE 01 33511064 REVISION 01	33511065 INDICE 01 33511065 REVISION 01

DELPHI ELECTRICAL/ELECTRONIC ARCHITECTURE

36W UNSEALED FEMALE CONNECTOR CODE1 PREMATED STAT

36W UNSEALED CONNECTORS

ECO: 100% RECYCLED PAPER

PROJ: PCC0001642

REV: 01

DATE: 20150808

APP: PCC0001642

FILE: PCC0001642

DELPHI

36W UNSEALED FEMALE CONNECTOR CODE1 PREMATED STAT

36W UNSEALED CONNECTORS

ECO: 100% RECYCLED PAPER

PROJ: PCC0001642

REV: 01

DATE: 20150808

APP: PCC0001642

FILE: PCC0001642

X-ON Electronics

Largest Supplier of Electrical and Electronic Components

Click to view similar products for [Automotive Connectors](#) category:

Click to view products by [APTIV](#) manufacturer:

Other Similar products are found below :

[003-018-000](#) [60993906-B](#) [M902-2131](#) [M902-2161](#) [M902-2344](#) [72.330.1035.1](#) [73.353.4028.0](#) [F166900](#) [F358300-B](#) [F407400](#) [776880-1](#)
[827153-1](#) [8N1515-32-24P](#) [9-1326729-8](#) [925474-1](#) [928905-1](#) [964562-4](#) [968782-1](#) [98891-1012](#) [12004475-L](#) [12020308](#) [12041318-B](#)
[12052466](#) [12064869](#) [12015909](#) [1-21030-1](#) [12041254](#) [12041318](#) [12047946-B](#) [12110546-B](#) [12131792](#) [12084688](#) [12092346](#) [HD34-18-14PT](#)
[HD46-24-23SN-059](#) [HDB36-24-16PN-059](#) [HDP26-24-9SE-L015](#) [12185280](#) [12185550](#) [12336-12](#) [12191172-B](#) [12S](#) [13545280](#) [13577943](#)
[13681974](#) [13737722-B](#) [13830674](#) [13832576](#) [13849772](#) [13542772](#)