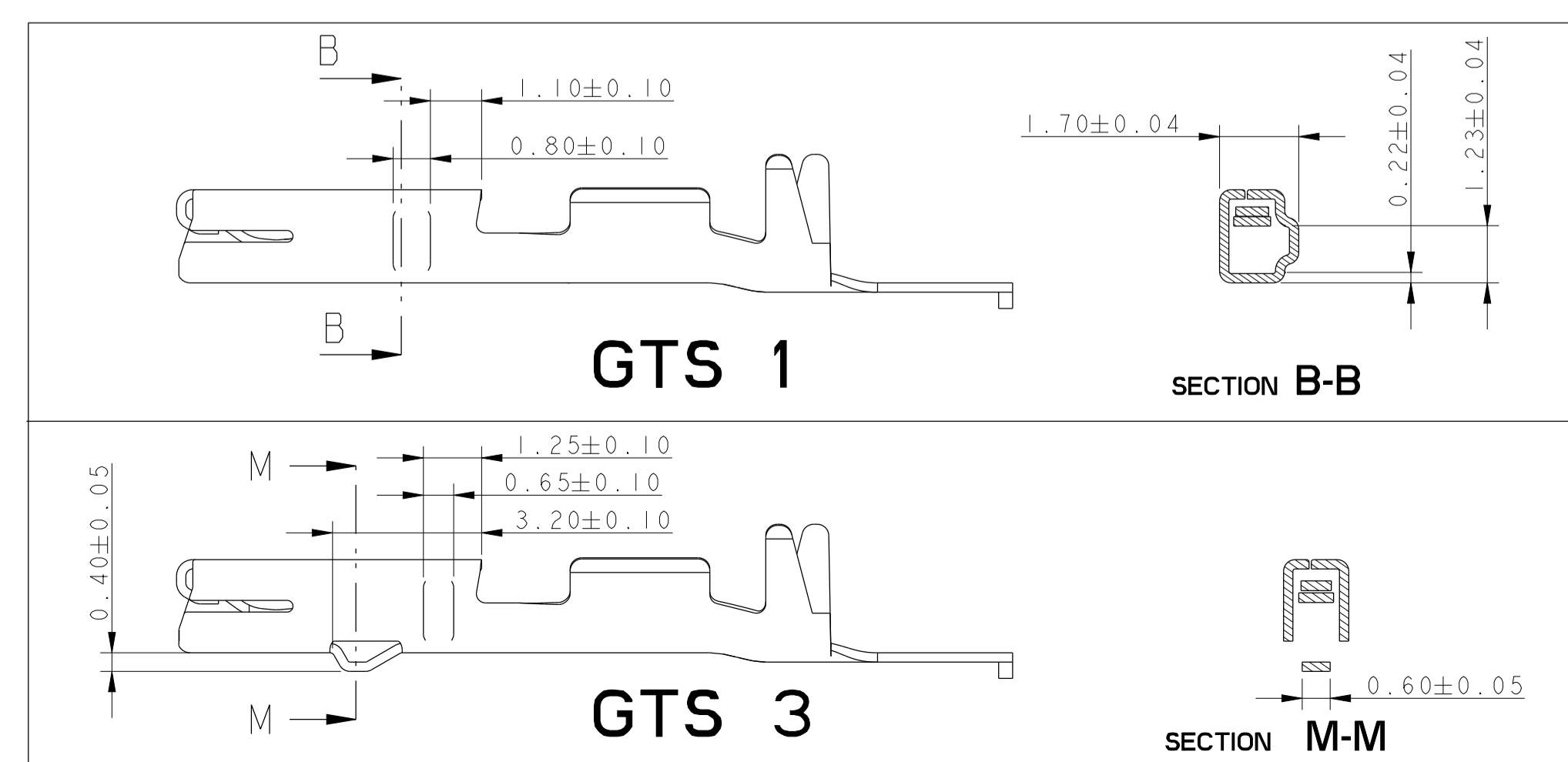
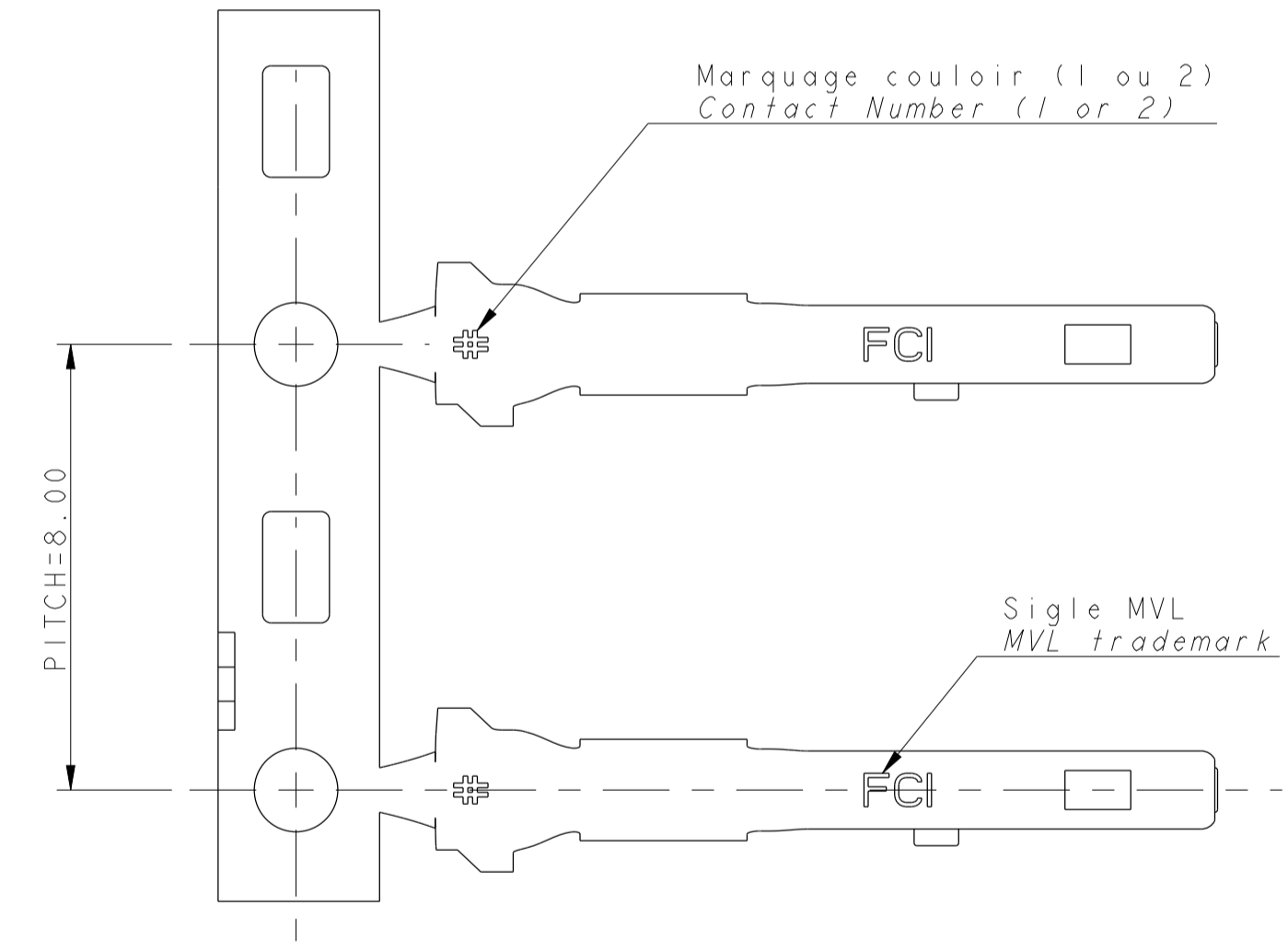
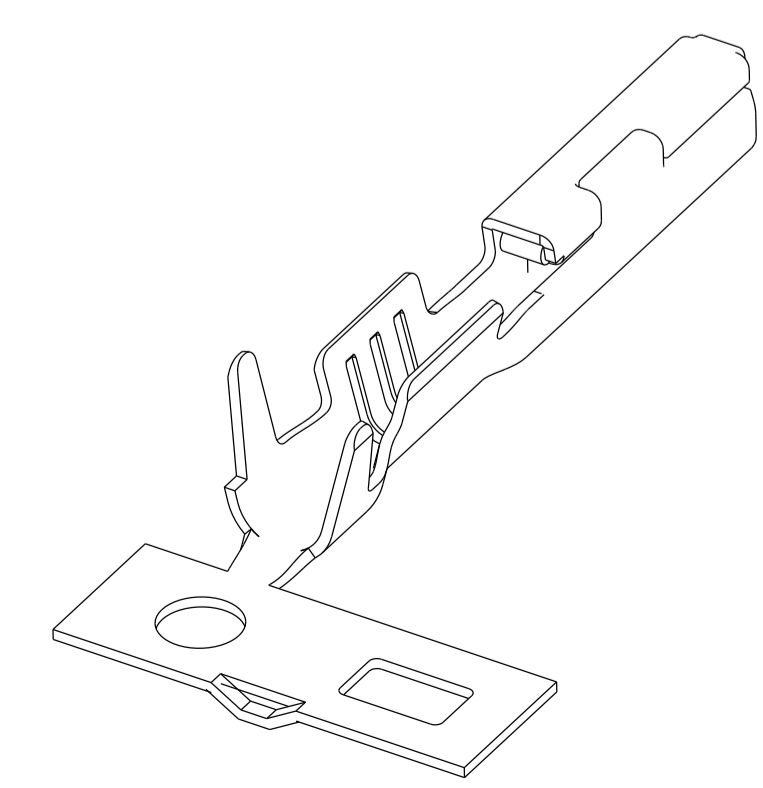
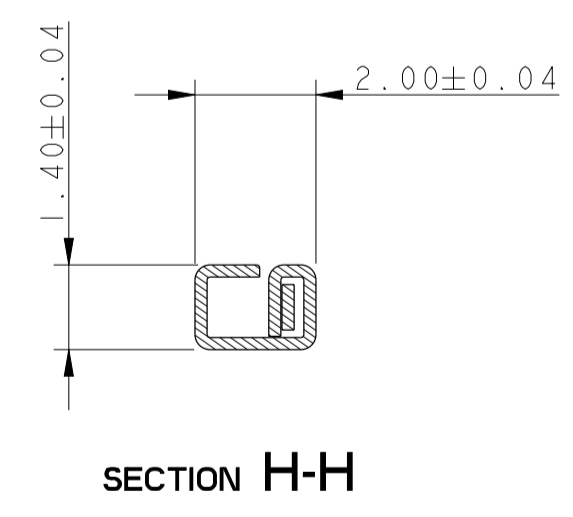
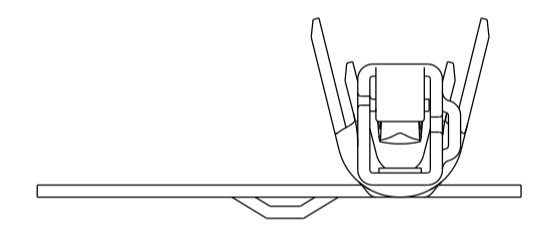


DETAIL OF RANGE 2



Etat / State		Références			Material	Classe
GTS 1	MVL P/N	PP10001619	PP10000489	PP10000490	Cu Ni 3 Si 1 Mg	125°
	REVISION	A	A	A		
	DELPHI P/N	13955989	13648598	13768627		
GTS 3	MVL P/N	260 CC I S 0120	260 CC I S 1120	260 CC I S 2120		
	REVISION	A	A	A		
	DELPHI P/N	33500712	33502051	33500713		
		Section / Gauge	0.22 to 0.35	0.5	0.75 to 1	
		∅ Isolant Insulation	1.2 to 1.5	1.4 to 1.7	1.6 to 1.9	
		A	1.49	1.82	2.24	
		B	1.64	2.04	2.37	
		C	0.3	0.4	0.6	
		D ± 0.3	2.82	2.94	3.3	
		E	2.67	2.96	3.5	
		F	0.85	0.85	0.85	
		G ± 0.10	5.10	5.10	4.85	
		H	3.0	3.0	3.5	

NOTE :  
 1 - FOR CRMP SPECIFICATION, SEE : FE CS 06 005  
 2 - FOR PACKAGING, SEE : PU N°076  
 3 - ( ) NO TOLERANCED DIMENSIONS, GIVEN FOR INFORMATION

ECN-NO. NUMERO ECH	POSITION	CHANGE DESCRIPTION	MODIFICATION
<p>DELPHI P/N ADDED</p>			
<p>DELPHI CORPORATION AND/OR ITS AFFILIATES. ALL RIGHTS RESERVED. REVISED THIS DRAWING IS THE PROPERTY OF DELPHI CORPORATION AND CONTAINS DELPHI CONFIDENTIAL INFORMATION. THE REPRODUCTION, DISTRIBUTION AND RELEASE OF THIS DOCUMENT OR ITS CONTENTS WITH OR WITHOUT THE WRITTEN PERMISSION OF DELPHI CORPORATION IS PROHIBITED. LE PLAN EST LA PROPRIÉTÉ DE DELPHI CORPORATION ET CONTIEN DES INFORMATIONS CONFIDENTIELLES. LA REPRODUCTION, LA DISTRIBUTION ET L'UTILISATION DE CE DOCUMENT OU DE SES CONTENU SANS LAutorisation ÉCRITE DE DELPHI CORPORATION EST INTERDITE.</p>			
TOLERANCES TOLERANCES	± 0.2 ± 2*	MATERIAL : MATIERE :	SEE TABLE
CONTRIBUTOR CONTRIBUTEUR		COLOR : COULEUR :	
DO NOT REASURE DRAWING NE PAS REASSURER LE DROIT		TOOL NO. NUMERO OUV.	260 36 01
DATE	NAME	TITLE	DESIGNATION
20080608	HERNANDEZ,S	0635 x 0635 FEMALE TERMINAL	
CREATED BY CRÉÉ PAR		PROJECT PROJET	GTS
APPROVED BY APPR. PAR		ESR NO. NUMERO ESR	FBA 2141
FILE NAME NOM DE FICHER		NO MODIFICATION ALLOWED OUTSIDE PAS DE MODIFICATION EN DEHORS	
<p>DELPHI ELECTRICAL/ELECTRONIC ARCHITECTURE EPSON, FRANCE</p>			<p>CAU SYSTEM pro / eng.</p>
<p>DRAWING NUMBER REF. PLAN</p>			<p>260FT0002</p>
<p>STATE ÉTAT</p>			<p>260FT0002</p>
<p>PART NUMBER REF. ARTICLE</p>			<p>REV. 1</p>
<p>SEE TABLE</p>			<p>SCALE ÉCH. 1:1</p>

## X-ON Electronics

Largest Supplier of Electrical and Electronic Components

*Click to view similar products for [Automotive Connectors](#) category:*

*Click to view products by [APTIV](#) manufacturer:*

Other Similar products are found below :

[003-018-000](#) [60403001](#) [60993906-B](#) [629515004020001](#) [M902-2131](#) [M902-2161](#) [72.330.1035.1](#) [73.353.4028.0](#) [F119300-B](#) [F166900](#)  
[F258300-B](#) [F358300-B](#) [F407400](#) [F444110](#) [F487000](#) [F509500B-B](#) [827153-1](#) [8N1515-32-24P](#) [9-1326729-8](#) [925474-1](#) [928905-1](#) [964562-4](#)  
[968782-1](#) [GT17SA-8DS-HU](#) [98891-1012](#) [98947-1016](#) [12004475-L](#) [12010290](#) [12010309-B](#) [12015454](#) [12020219-B](#) [12020308](#) [12041318-B](#)  
[12052225-L](#) [12052466](#) [12059125](#) [12064869](#) [12004327-B](#) [12010503-B](#) [12015308](#) [12015384](#) [12015909](#) [1-21030-1](#) [12041254](#) [12041318](#)  
[12047946-B](#) [12047957](#) [12047957-L](#) [12059473](#) [12066261](#)