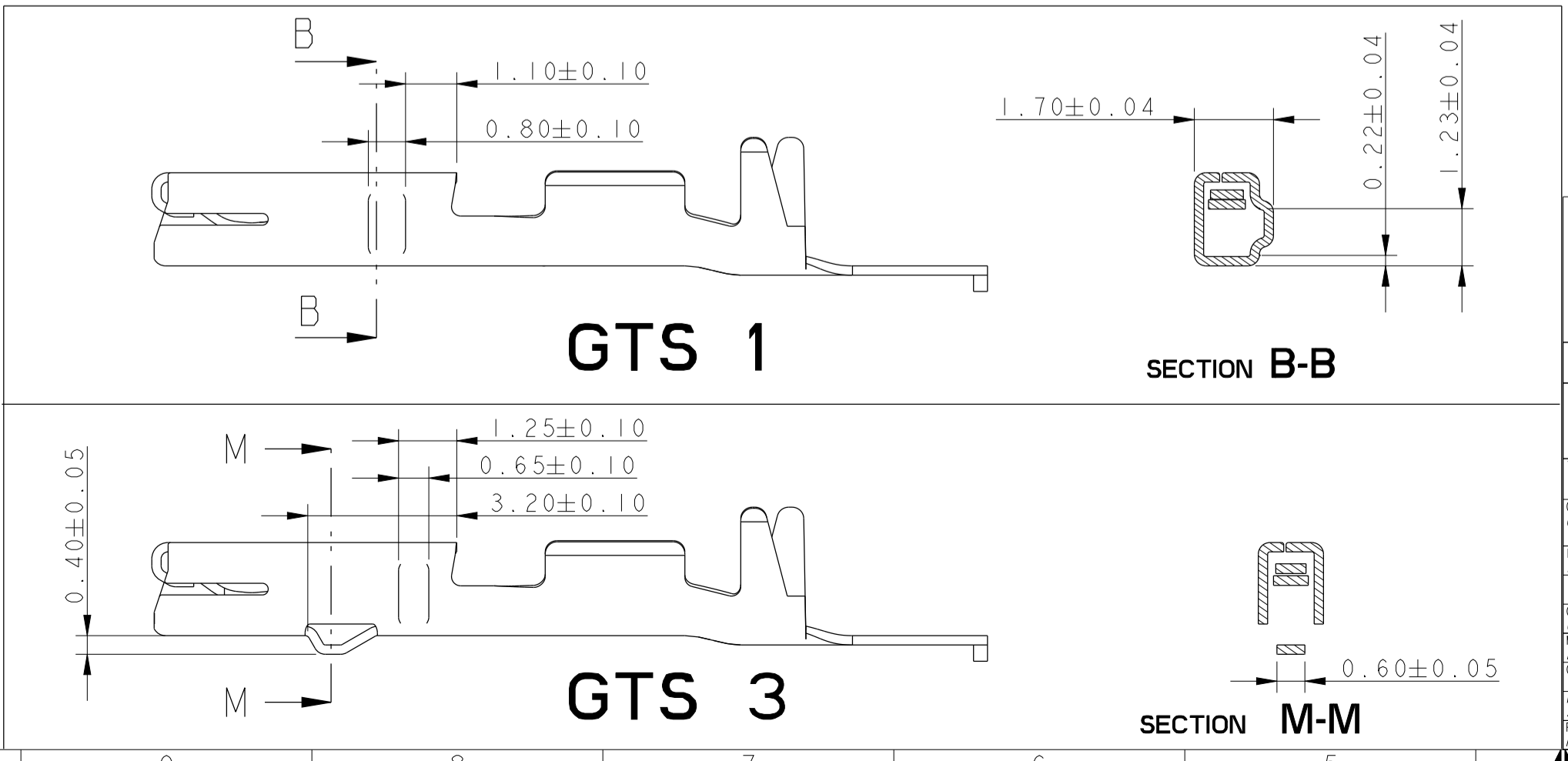
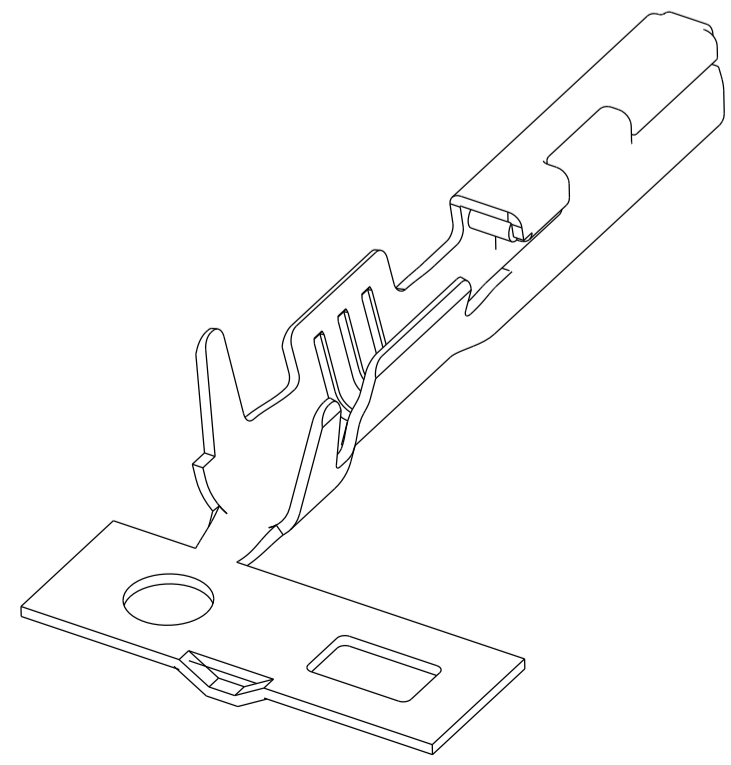
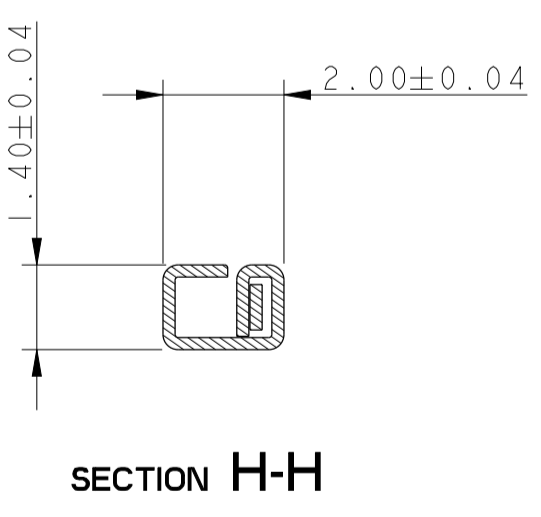
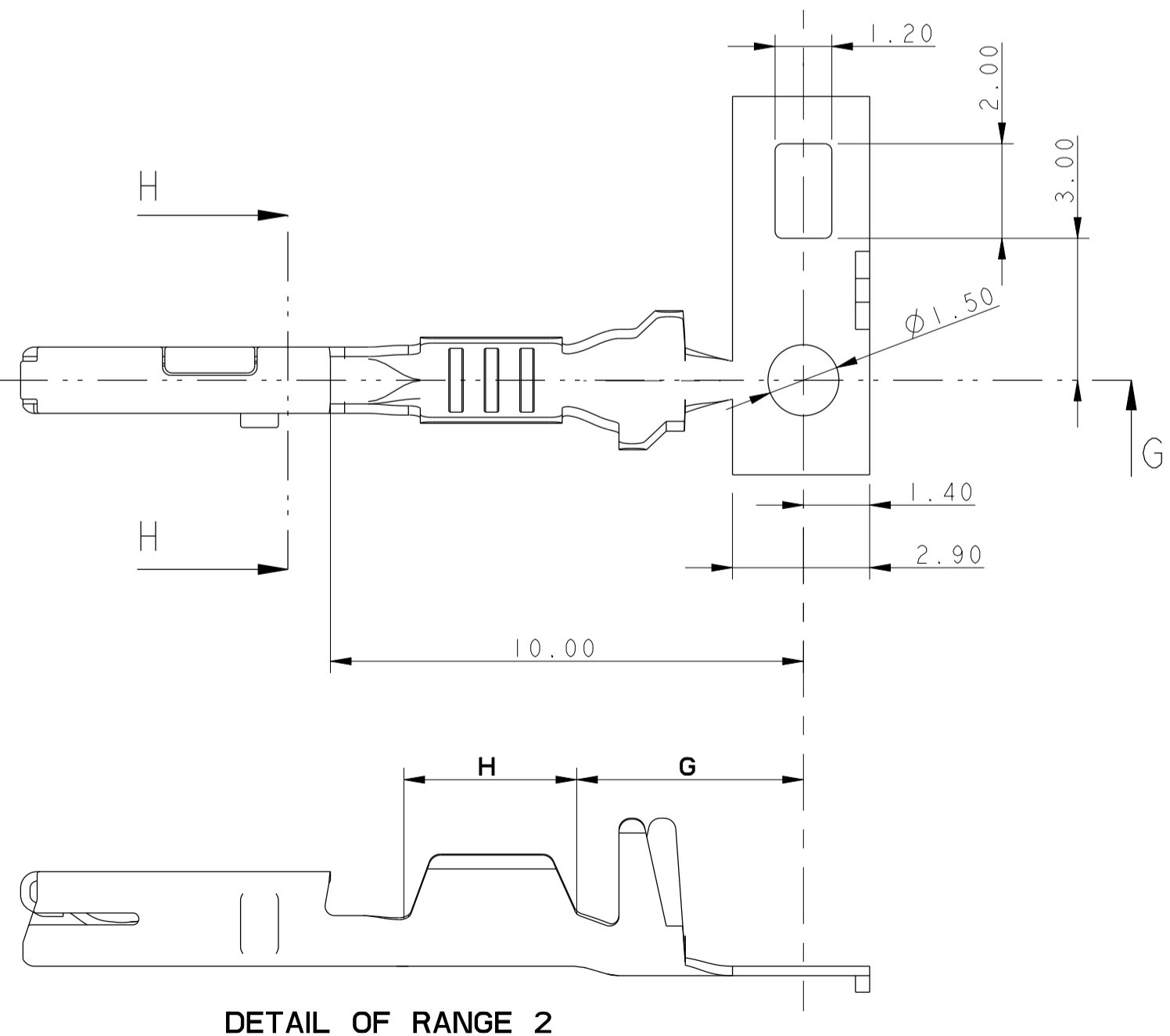
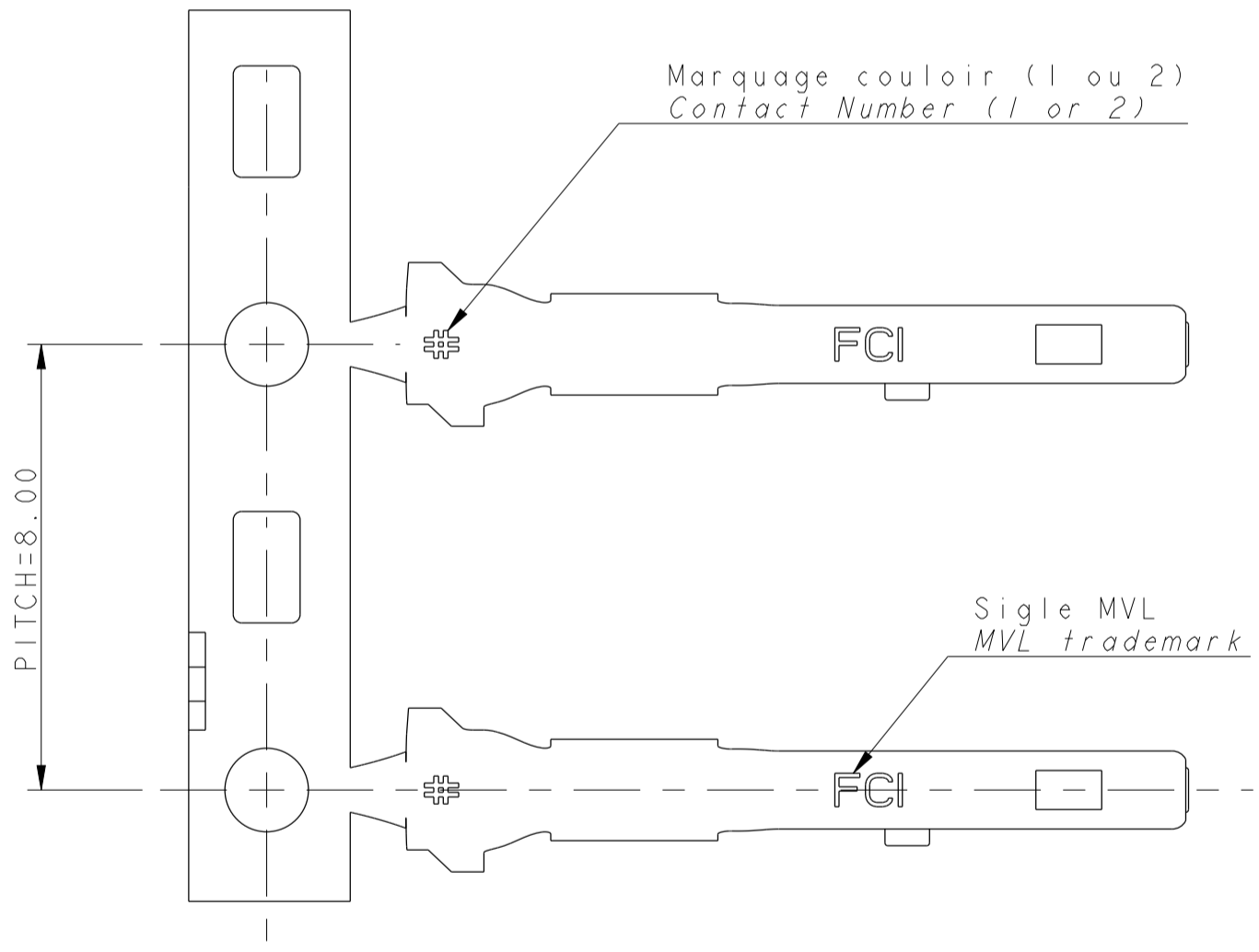
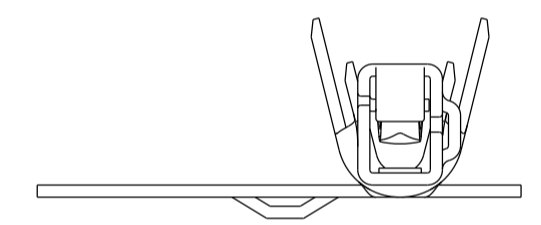
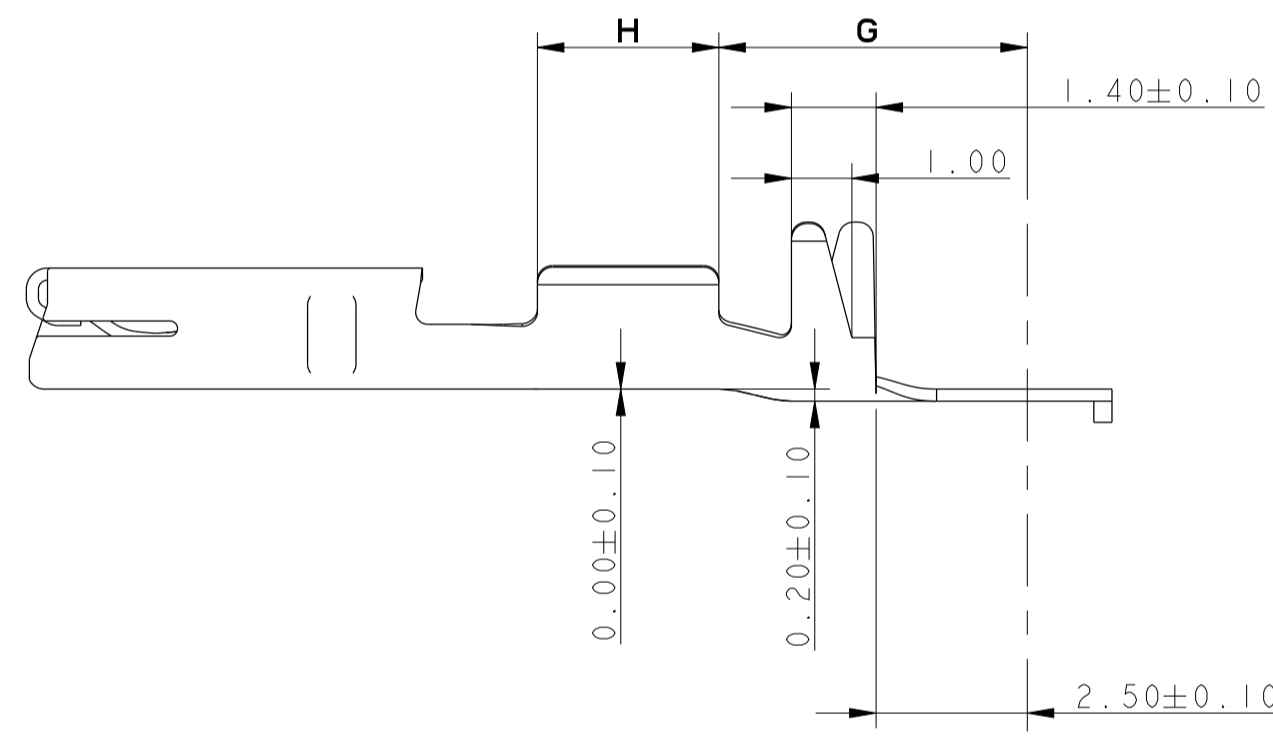
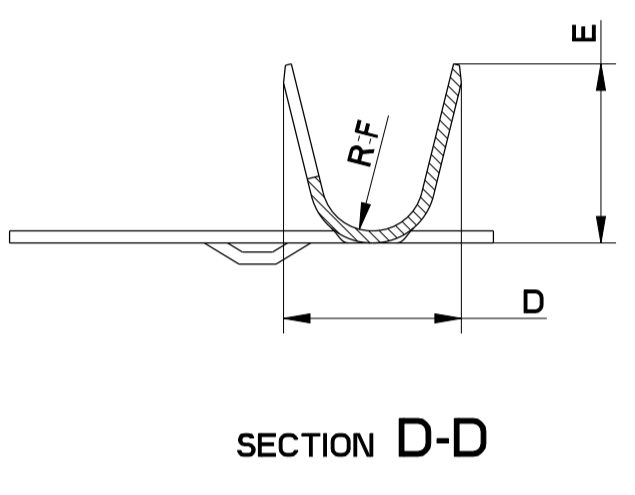
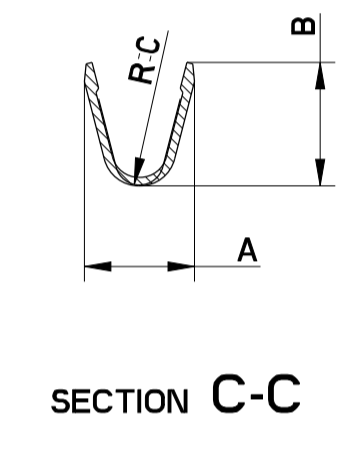
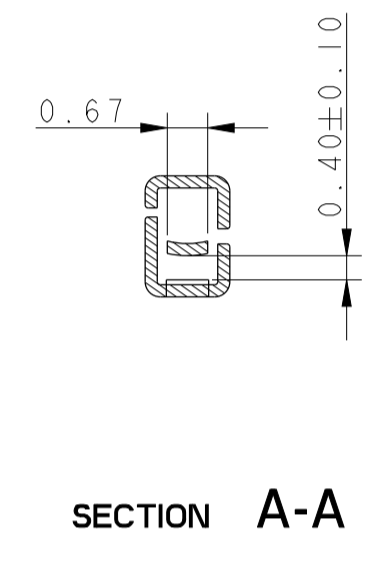
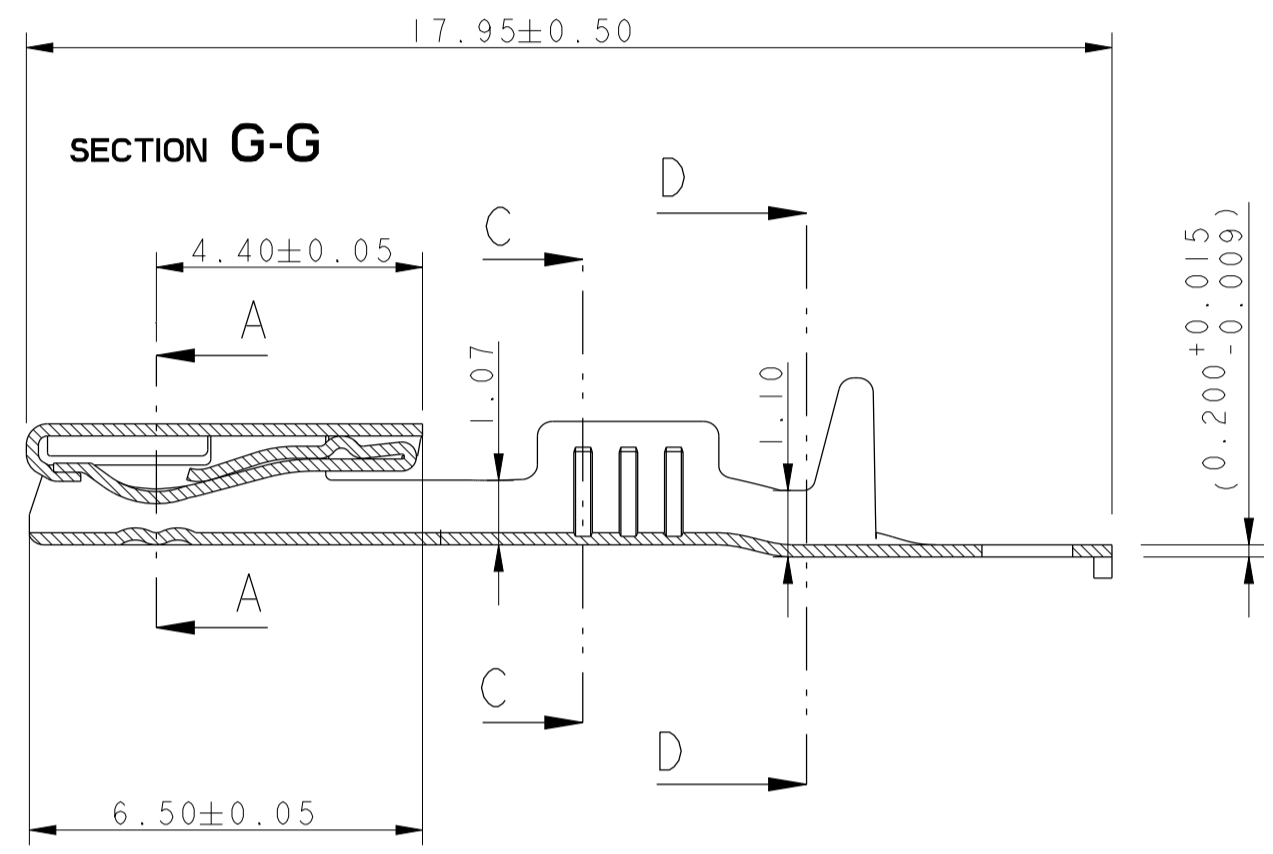


Etat / State		Références			Material	Classe
GTS 1	MVL P/N	PP10001619	PP10000489	PP10000490	Cu Ni 3 Si 1 Mg	125°
	REVISION	A	A	A		
	DELPHI P/N	13955989	13648598	13768627		
GTS 3	REVISION	01	01	01		
	MVL P/N	260 CC I S 0120	260 CC I S 1120	260 CC I S 2120		
	DELPHI P/N	33500712	33502051	33500713		
REVISION	01	01	01			
Section / Gauge		<b>0.22 to 0.35</b>	<b>0.5</b>	<b>0.75 to 1</b>		
∅ Insulant		1.2 to 1.5	1.4 to 1.7	1.6 to 1.9		
A		1.49	1.82	2.24		
B		1.64	2.04	2.37		
C		0.3	0.4	0.6		
D ± 0.3		2.82	2.94	3.3		
E		2.67	2.96	3.5		
F		0.85	0.85	0.85		
G ± 0.10		5.10	5.10	4.85		
H		3.0	3.0	3.5		



NOTE :  
 1 \_ FOR CRMP SPECIFICATION , SEE : FE CS 06 005  
 2 \_ FOR PACKAGING , SEE : PU N°076  
 3\_ ( ) NO TOLERANCED DIMENSIONS, GIVEN FOR INFORMATION

ECN-NO. NUMERO ECH	POSITION	CHANGE DESCRIPTION MODIFICATION	
PROJECT SPEC. SPECIF. PRODUIT	PACKAGING SPEC. SPECIF. EMBALLAGE	APPLICATION SPEC. SPECIF. APPLICATION	COPYRIGHT DELPHI CORPORATION AND/OR ITS AFFILIATES. ALL RIGHTS RESERVED. REVISED THIS DRAWING IS THE PROPERTY OF DELPHI CORPORATION AND CONTAINS DELPHI CONFIDENTIAL INFORMATION. THE REPRODUCTION, DISTRIBUTION AND SALE OF THIS DOCUMENT OR ITS CONTENTS WITHOUT THE WRITTEN PERMISSION OF DELPHI CORPORATION IS PROHIBITED. LE DROIT DE PROPRIÉTÉ DE DELPHI CORPORATION ET/OU SES AFFILIÉES EST RÉSERVÉ. CE PLAN EST LA PROPRIÉTÉ DE DELPHI CORPORATION ET CONTIEN DES INFORMATIONS CONFIDENTIELLES. LA RÉPRODUCTION, LA DISTRIBUTION ET L'UTILISATION DE CE DOCUMENT OU DE SES CONTENU SANS L'AUTORISATION ÉCRITE DE DELPHI CORPORATION EST INTERDITE.
TOLERANCES TOLERANCES	± 0.2 ± 2*	MATERIAL : MATIÈRE :	SEE TABLE
CONTRIBUTOR CONTRIBUTEUR		COLOR : COULEUR	
DO NOT REASURE DRAWING NE PAS RESSERER DE DROIT	DATE	TOOL NO. NUMERO OUS	260 36 01
DATE	NAME NOM	ECO EXT. EXT. CODE	664 FE
CREATED BY CRÉÉ PAR	20080808	TITLE DESIGNATION	0635 x 0635 FEMALE TERMINAL
MODIFIED BY MODIFIÉ PAR	20150704	PROJECT PROJET	GTS
APPROVED BY APPR. PAR	20150808	ESR NO. NUMERO ESP	FBA 2141
FILE NAME NOM DE FICHER	260FT0002	LEADER CHEF	
		NO MODIFICATION ALLOWED OUTSIDE PAS DE MODIFICATION EN DEHORS	

**DELPHI**  
 ELECTRICAL/ELECTRONIC ARCHITECTURE  
 ARCHITECTURE ÉLECTRONIQUE

**260FT0002**  
 SERIAL RELEASED

SCALE: 1:1

## X-ON Electronics

Largest Supplier of Electrical and Electronic Components

*Click to view similar products for [Automotive Connectors](#) category:*

*Click to view products by [APTIV](#) manufacturer:*

Other Similar products are found below :

[003-018-000](#) [60403001](#) [60993906-B](#) [629515004020001](#) [M902-2131](#) [M902-2161](#) [72.330.1035.1](#) [73.353.4028.0](#) [F119300-B](#) [F166900](#)  
[F258300-B](#) [F358300-B](#) [F407400](#) [F444110](#) [F487000](#) [F509500B-B](#) [827153-1](#) [8N1515-32-24P](#) [9-1326729-8](#) [925474-1](#) [928905-1](#) [964562-4](#)  
[968782-1](#) [GT17SA-8DS-HU](#) [98891-1012](#) [98947-1016](#) [12004475-L](#) [12010290](#) [12010309-B](#) [12015454](#) [12020219-B](#) [12020308](#) [12041318-B](#)  
[12052225-L](#) [12052466](#) [12059125](#) [12064869](#) [12004327-B](#) [12010503-B](#) [12015308](#) [12015384](#) [12015909](#) [1-21030-1](#) [12041254](#) [12041318](#)  
[12047946-B](#) [12047957](#) [12047957-L](#) [12059473](#) [12066261](#)