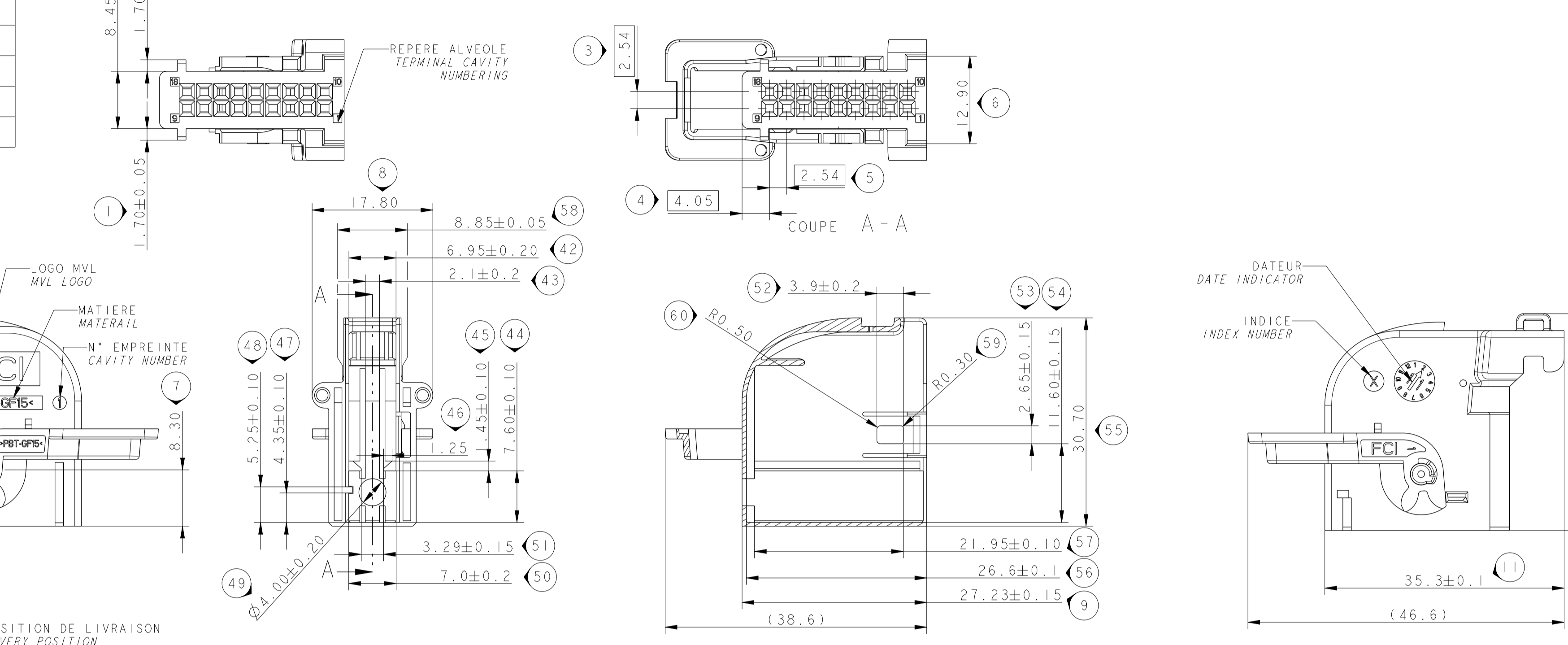
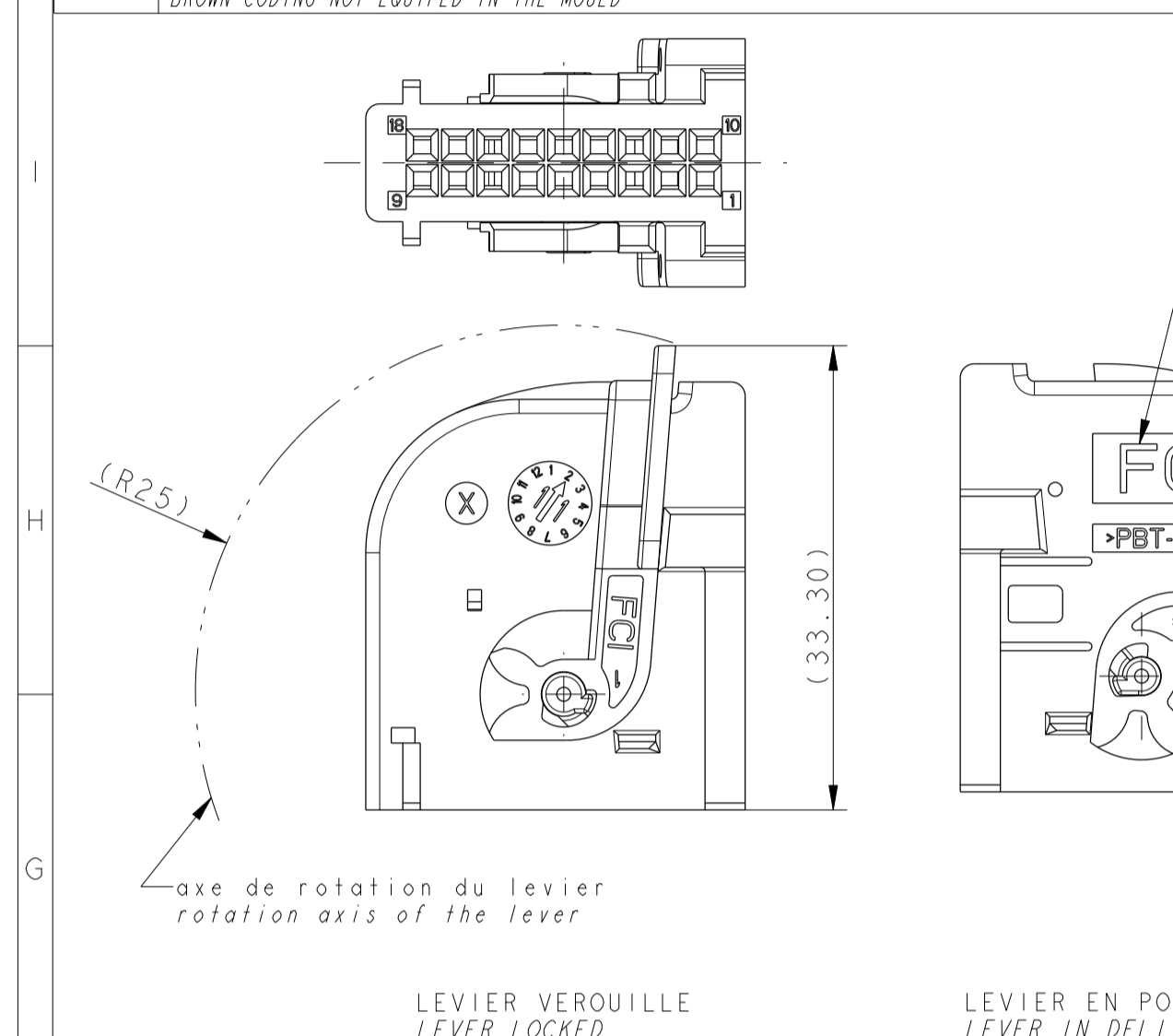


NOTA	SPECIFICATION
1	CONNECTEUR CONFORME A STE PSA 96 270 896 99 ind D ET A LA SPECIFICATION TECHNIQUE FCI FEPS 09006 FEMALE CONNECTOR ACCORDING TO STE PSA 96 270 896 99 rev D AND THE FCI TECHNICAL SPECIFICATION FEPS 09006
2	CONNECTEUR SUIVANT: FEMALE CONNECTOR ACCORDING TO: -CLASSE DE TEMPERATURE T2 SELON B217050 rev C TEMPERATURE CLASS T2 ACCORDING TO B217050 rev C -CLASSE DE VIBRATION VI SELON B217050 rev C et B217120 rev Or ENGINE VIBRATION CLASS VI ACCORDING TO B217050 rev C AND B217120 rev Or -NON ETANCHE CLASSE 0 UNSEALED CLASS 0
3	PRECONISATION D'UTILISATION: PU084 USERS MANUAL: PU084
4	ALVEOLE 0.635 COMPATIBLE DUO-TWIN, MOS, DCK (voir PRECONISATION D'UTILISATION) 0.635 CAVITY COMPATIBLE TO DUO-TWIN, MOS, DCK (See USER MANUAL)
5	CONNECTEUR ET POSITION ALVEOLES CONFORMES AU PLAN D'INTERFACE STE 96 312 087 99 rev A FEMALE CONNECTOR AND CAVITIES POSITION ACCORDING TO STE 96 312 086 99 rev A
6	CONDITIONNEMENT SUIVANT NORME: E73 03 150G PACKAGING ACCORDING TO STANDARD: E73 03 150G
7	SECTION DE FILS 0.635: DE 0.35 A 0.75 mm <sup>2</sup> 0.635 WIRE SECTION: FROM 0.35 TO 0.75 mm <sup>2</sup>
8	MASSE DU PRODUIT LIVRABLE: VOIR TABLEAU DELIVERY CONNECTOR WEIGHT: SEE TABLE
9	DEFAUTS D'ASPECT SUR ZONE NON FONCTIONNELLES ADMIS VISUAL DEFECTS ON NO FUNCTIONAL AREAS ALLOWED
10	CODAGE MARRONS NON EQUIPES DANS LE MOULE BROWN CODING NOT EQUIPED IN THE MOULD

3D VIEW M 1:1	Version	Rep	Reference / Indice	Qty/ Nbre	Designation	Matiere Material	Couleur Colour	Masse Weight
	0°	3	PP10000498	M	MODULE PORTE-CLIPS 18 VOIES FEMALE TERMINAL CARRIER 18w	PBT-GF15	NOIR BLACK	1.90g
		2	PP10000496	L	LEVIER DE VERROUILLAGE PORTE-CLIPS 18 VOIES LEVER 18w	PBT-GF15	NOIR BLACK	3.50g
	90°	3	F407500	M	MODULE PORTE-CLIPS 18 VOIES FEMALE TERMINAL CARRIER 18w	PBT-GF15	NOIR BLACK	1.90g
		2	PP10000496	L	LEVIER DE VERROUILLAGE PORTE-CLIPS 18 VOIES LEVER 18w	PBT-GF15	NOIR BLACK	3.80g



MVL	REFERENCE DU PORTE CLIPS FEMALE CONNECTOR PART NUMBER	PP10000557	PP10000556	F190500	F590500	F990500
DELPHI	INDICE ARTICLE REVISION PART NUMBER	M	M	M	M	M
	REFERENCE DU PORTE CLIPS FEMALE CONNECTOR PART NUMBER	13724278	13729871	33501027	13953214	33511717
	INDICE ARTICLE REVISION PART NUMBER	02	02	01	01	01
	VERSION 0°					
I	PORTE-MODULE FEMALE HOUSING	NOIR BLACK PP10000551 BLANC WHITE PP10000552 VERT GREEN C980500 BLEU BLUE C390500 MARRON BROWN C790500	X	X	X	X
2	LEVIER LEVER	NOIR BLACK PP10000496	X	X	X	X
REP.	DESIGNATION DESIGNATION	COULEUR COLOUR	REF MVL MVL P/N			

MVL	REFERENCE DU PORTE CLIPS FEMALE CONNECTOR PART NUMBER	PP10000558	PP10000497	F290500	F690500	F001500
DELPHI	INDICE ARTICLE REVISION PART NUMBER	M	M	M	M	M
	REFERENCE DU PORTE CLIPS FEMALE CONNECTOR PART NUMBER	33500465	33500462	13855075	13852577	33511718
	INDICE ARTICLE REVISION PART NUMBER	01	01	02	02	01
	VERSION 90°					
I	PORTE-MODULE FEMALE HOUSING	NOIR BLACK PP10000548 BLANC WHITE PP10000495 VERT GREEN C090500 BLEU BLUE C490500 MARRON BROWN C890500	X	X	X	X
2	LEVIER LEVER	NOIR BLACK PP10000496	X	X	X	X
REP.	DESIGNATION DESIGNATION	COULEUR COLOUR	REF MVL MVL P/N			

11-00135

- 
- 
- 
- 
- UPDATE PART LEVEL
- SHOCK RESISTANCE IMPROVED
- 
- 
- 
- 
- 
- DELPHI P/N ADDED

ECN-NO.	POSITION	CHANGE DESCRIPTION
11-00135		UPDATE PART LEVEL
		SHOCK RESISTANCE IMPROVED

DELPHI  
ELECTRICAL/ELECTRONIC ARCHITECTURE

18W FEMALE CONNECTOR

18W DUO-TWIN/MOS COMPATIBLE

DATE: 2015/04/22  
APP. PAR: PASCAL MENARD  
FILE NAME: PCC0088206

PROJ. NO: 18W  
NUMERO ESP: EUD04711  
NUMERO CAP: 18W

NO MODIFICATION ALLOWED OUTSIDE PAS DE MODIFICATION EN DEHORS

DELPHI  
ELECTRICAL/ELECTRONIC ARCHITECTURE

PROJ. / ENG. pro / eng.

DWG. SIZE A1

DRAWING NUMBER PCC0088206

SHEET 1

SCALE: 2:1

EUR C04 112 F29

## X-ON Electronics

Largest Supplier of Electrical and Electronic Components

*Click to view similar products for [Automotive Connectors](#) category:*

*Click to view products by [APTIV](#) manufacturer:*

Other Similar products are found below :

[003-018-000](#) [60403001](#) [60993906-B](#) [629515004020001](#) [M902-2131](#) [M902-2161](#) [72.330.1035.1](#) [73.353.4028.0](#) [F119300-B](#) [F166900](#)  
[F258300-B](#) [F358300-B](#) [F407400](#) [F444110](#) [F487000](#) [F509500B-B](#) [827153-1](#) [8N1515-32-24P](#) [9-1326729-8](#) [925474-1](#) [928905-1](#) [964562-4](#)  
[968782-1](#) [GT17SA-8DS-HU](#) [98891-1012](#) [98947-1016](#) [12004475-L](#) [12010290](#) [12010309-B](#) [12015454](#) [12020219-B](#) [12020308](#) [12041318-B](#)  
[12052225-L](#) [12052466](#) [12059125](#) [12064869](#) [12004327-B](#) [12010503-B](#) [12015308](#) [12015384](#) [12015909](#) [1-21030-1](#) [12041254](#) [12041318](#)  
[12047946-B](#) [12047957](#) [12047957-L](#) [12059473](#) [12066261](#)