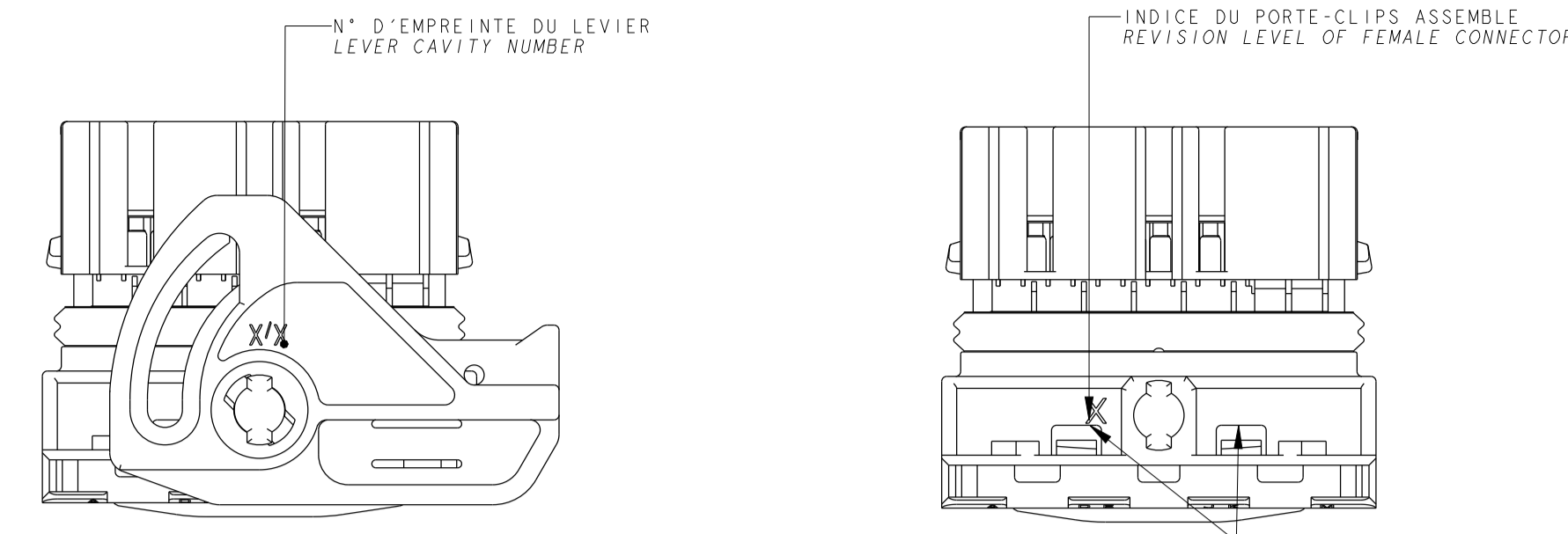
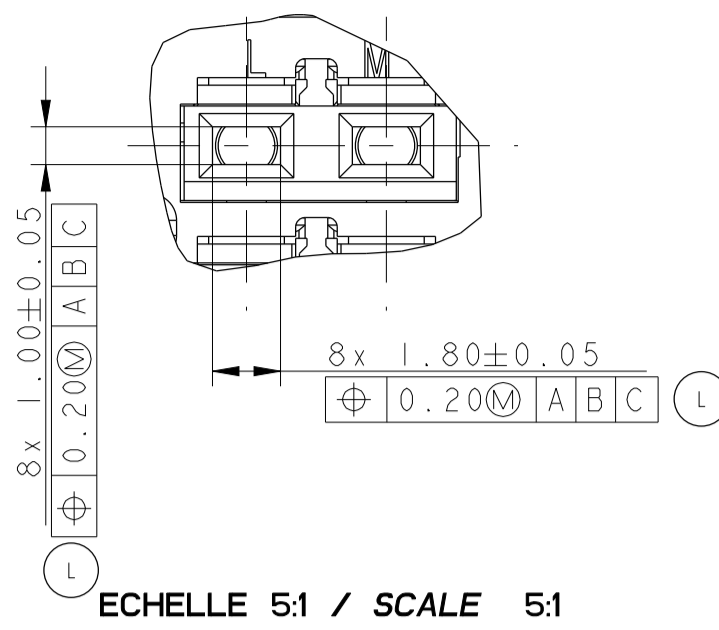
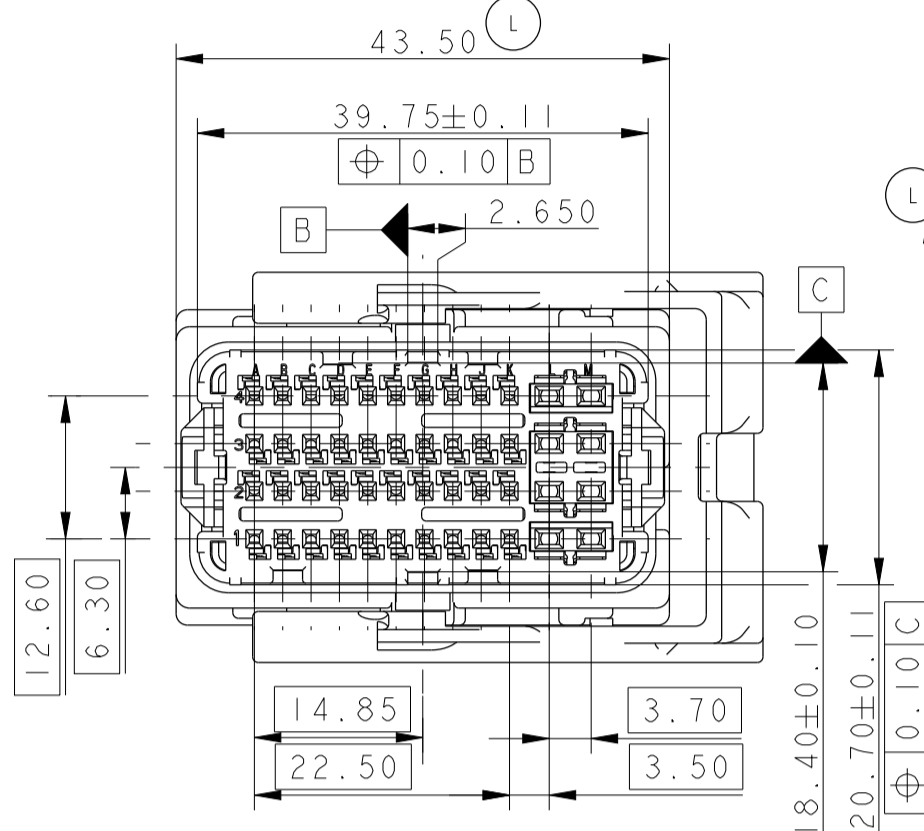


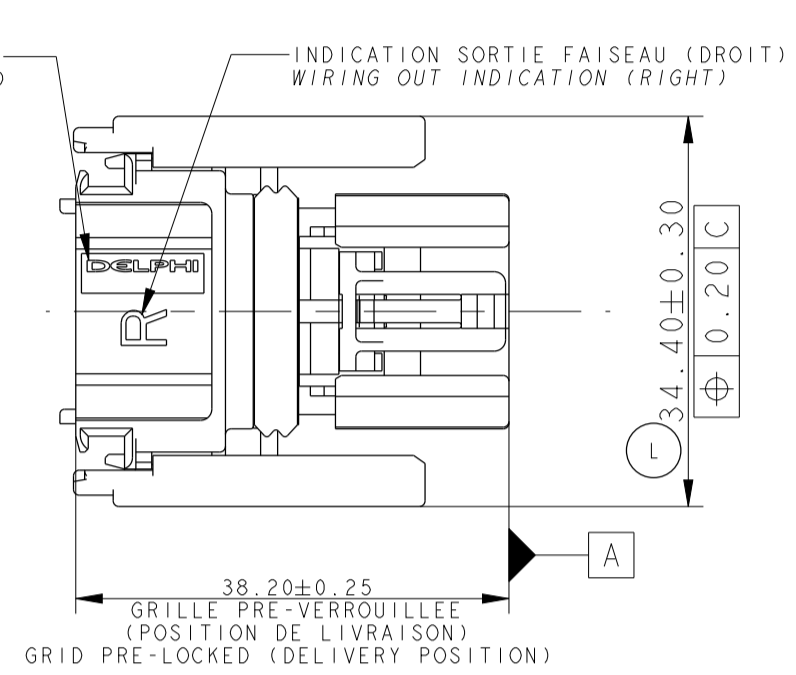
**DETAIL ALVEOLES 15  
DETAIL CAVITIES 15**



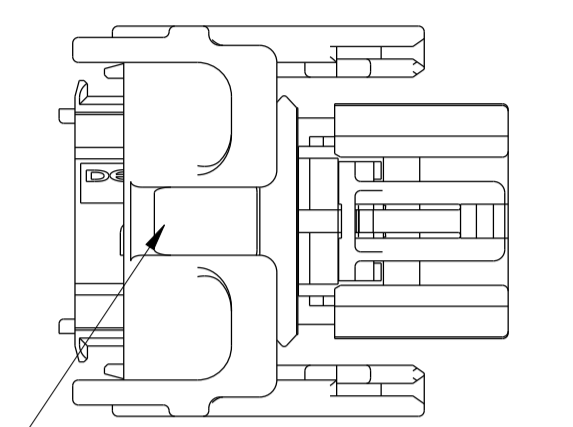
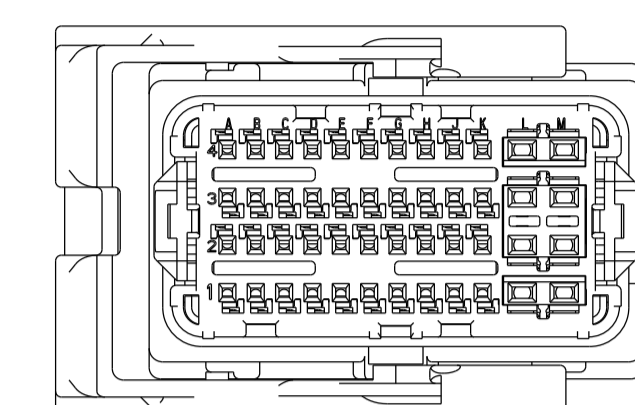
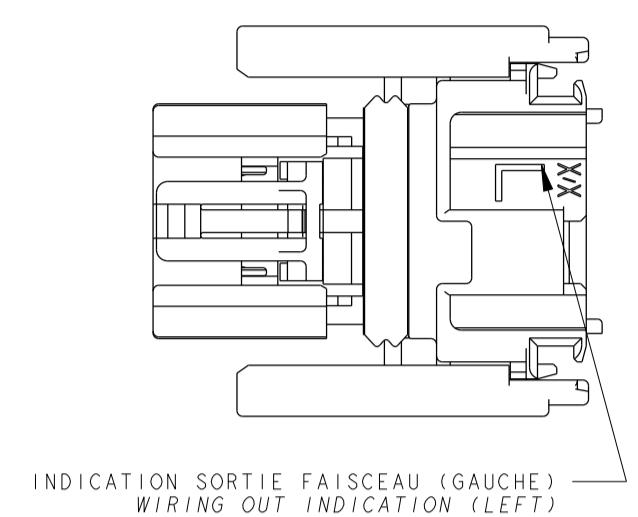
**SORTIE FAISCEAU A DROITE  
RIGHT WIRING OUT**



**MARQUAGES EN DESSOUS DU LEVIER  
(LEVIER ENLEVE POUR CETTE VUE)  
MARKING UNDER LEVER COMPONENT  
(LEVER REMOVED FOR THIS VIEW)**

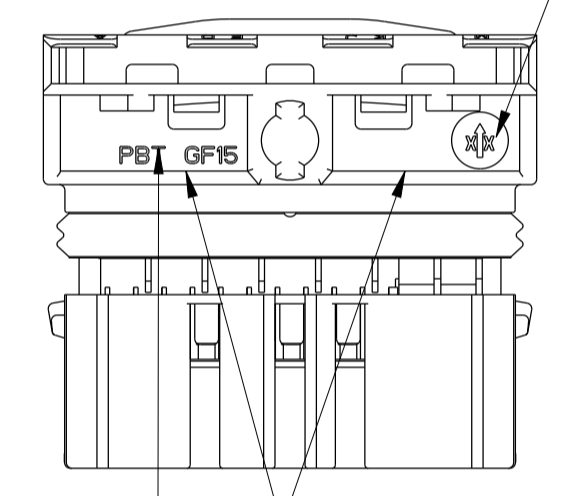
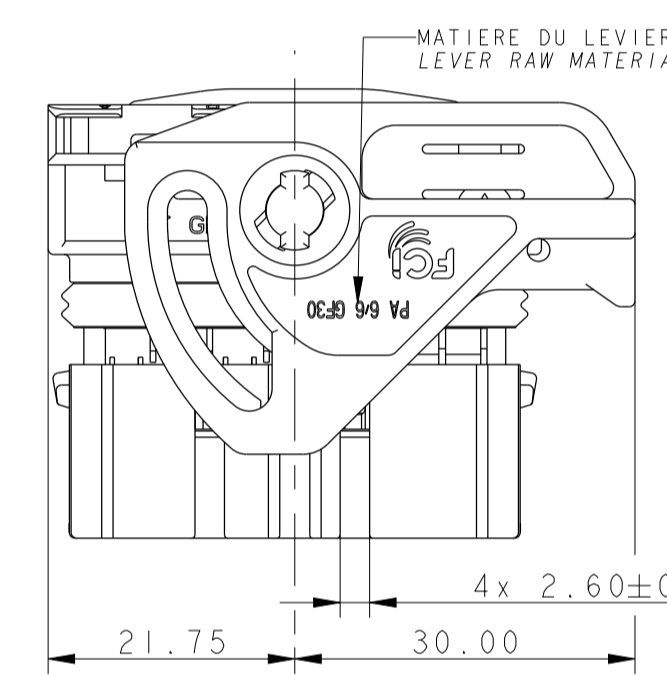
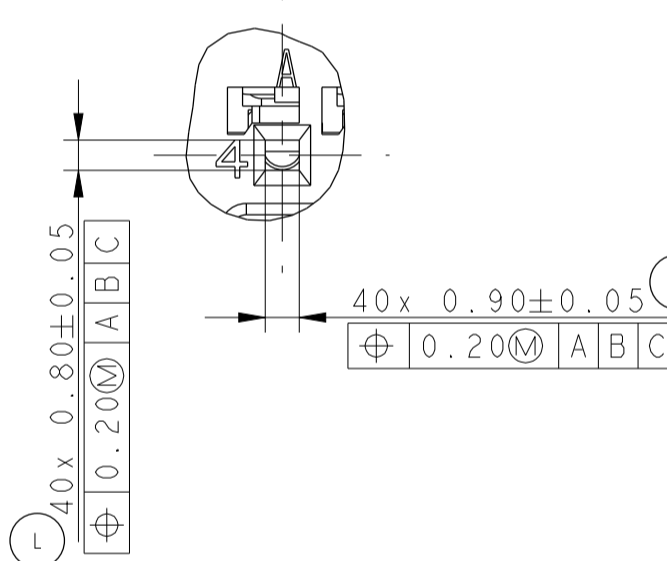


**SORTIE FAISCEAU A GAUCHE  
LEFT WIRING OUT**



LE LEVIER CACHE LA MAUVAISE INDICATION DE SORTIE DE FAISCEAU  
LEVER HIDE BAD WIRING OUT INDICATION

**DETAIL ALVEOLES 0.635  
DETAIL CAVITIES 0.635**



**MARQUAGES EN DESSOUS DU LEVIER  
(LEVIER ENLEVE POUR CETTE VUE)  
MARKING UNDER LEVER COMPONENT  
(LEVER REMOVED FOR THIS VIEW)**

**PRODUITS ASSOCIES  
ASSOCIATED PARTS**

CAPOT COVER	BOUCHON D'ALVEOLES CAVITY PLUG					
	CAVITE 0.635 0.635 CAVITY		CAVITE 1.5 1.5 CAVITY			
SORTIE DES FILS WIRES OUTPUT	MVL P/N	DELPHI P/N	MVL P/N	DELPHI P/N	MVL P/N	DELPHI P/N
0°	F965000	13956254	PP10001045	13768626	PP10001486	13826722
45°	PP10001538	33517228				

**SPECIFICATION DE CONDITIONNEMENT  
PACKAGING SPECIFICATION**

FE PA 06 013

**CAHIER DES SPECIFICATIONS  
SPECIFICATION**

NF R 13-462  
FE PS 07 023

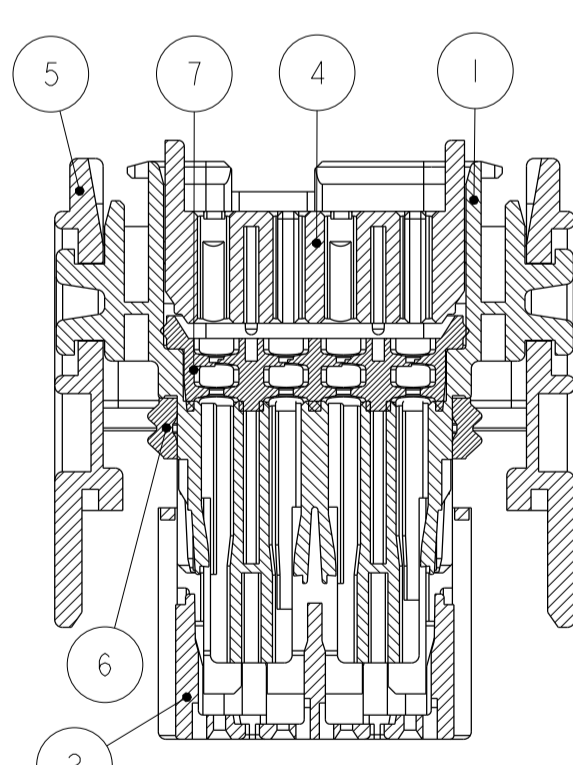
**MISE EN OEUVRE  
APPLICATION SPECIFICATION**

DOSSIER DE PRECONISATION : PU 087  
USER'S MANUAL : PU 087

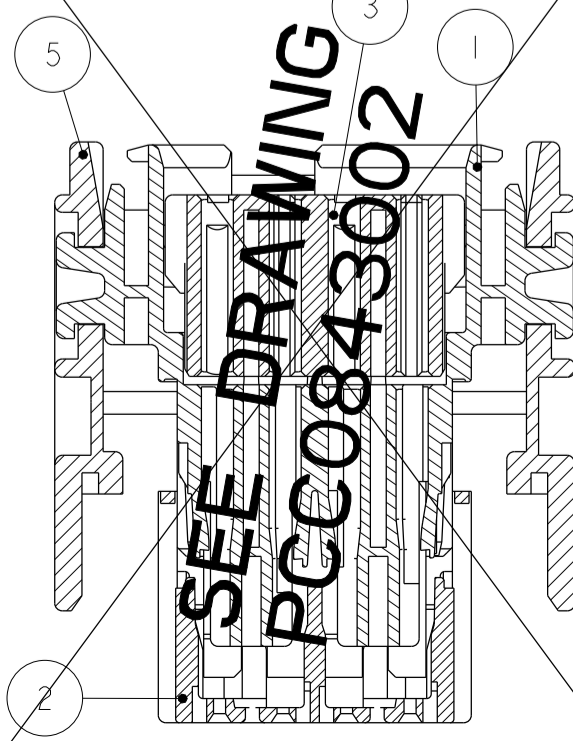
**DE FILS MINI ET MAXI ADMISSIBLE POUR GARANTIR L'ETANCHEITE DU PRODUIT  
SUITABLE MIN. AND MAX. WIRES TO GUARANTEE THE WATER TIGHTNESS OF THE PRODUCT**

TYPE DE CONTACT TERMINAL SIZE	REFERENCE MVL MVL PART NUMBER	REFERENCE DELPHI DELPHI PART NUMBER	JOINT TUBE SUR FIL WIRE TUBE	Ø MINI MINIMUM Ø	Ø MAXI MAXIMUM Ø
GTS 0.635	0.35mm <sup>2</sup>	PP10001619	13955989	1.30	1.50
	0.50mm <sup>2</sup>	PP10000489	13648598	1.40	1.70
GTS 1.5	0.50mm <sup>2</sup> - 0.85mm <sup>2</sup>	PP10001482	13712871	F418400	2.20
	1.00mm <sup>2</sup> - 1.30mm <sup>2</sup>	PP10001483	13741954	F418400	2.40
	1.40mm <sup>2</sup> - 2.00mm <sup>2</sup>	PP10001484	13749482	-	2.80

**SEALED VERSION**



**UNSEALED VERSION**



**PRINCIPALES PROPRIETES MECANQUES  
MAIN MECHANICAL PROPERTIES**

	CT 0635	CT 15
FORCE D'INSERTION D'UN CONTACT TERMINAL INSERTION FORCE	10N MAXI	12N MAXI
EFFORT DE POLARISATION D'UN CONTACT A 90° ET 180° TERMINAL POLARISATION FORCE AT 90° AND 180°	24 MINI	30 MINI
EFFORT DE RETENTION AVEC DV RETENTION FORCE WITH SECONDARY LOCK	80N MINI	100N MINI
EFFORT SUR LE LEVIER D'ACCROUPEMENT PC/PL MATING FORCE ON THE SLIDER DEVICE	65N MAXI	
EFFORT SUR LE LEVIER DE DESACCROUPEMENT PC/PL UNMATING FORCE ON THE SLIDER DEVICE	65N MAXI	
EFFICACITE DE VERROUILLAGE FULL ENGAGED EFFICIENCY	200N MINI	
CLASSE DE TEMPERATURE OPERATING TEMPERATURE	-40°C / +125°C	
CLASSE DE VIBRATIONS VIBRATION CLASS	15 g	
CLASSE D'ETANCHEITE SEALING CLASS	±0.5 Bar 1PX9K	

**NOMENCLATURE  
PARTS LIST**

REP.	DESIGNATION	MATERIE MATERIAL	COULEUR COLOUR	REF MVL MVL P/N	INDEX REVISION	CODAGE NOIR BLACK CODING		CODAGE GRIS GREY CODING		CODAGE MARRON BROWN CODING		CODAGE VERT GREEN CODING	
						GAUCHE LEFT	DROITE RIGHT	GAUCHE LEFT	DROITE RIGHT	GAUCHE LEFT	DROITE RIGHT	GAUCHE LEFT	DROITE RIGHT
7	GROMMET MATE SEAL	SILICONE SILICON	GRIS GREY	PP10000425	C								
6	JOINT INTERFACIAL MATING SEAL	SILICONE SILICON	INCOLORE CRISTAL	PP10000428	A								
5	LEVIER LEVER	PA66 GF 30	NOIR BLACK	PP10000416	A								
4	GRILLE ARRIERE ETANCHEE SEALED REAR GRID	PBT GF 15	GRIS CLAIR LIGHT GREY	C188300	C								
3	GRILLE ARR. NON ETANCHEE UNSEALED REAR GRID	PBT GF 15	GRIS FONCE DARK GREY	C288300	C	NA	NA	NA	NA	NA	NA	NA	NA
2	GRILLE AVANT FRONT GRID	PBT GF 15	NOIR BLACK	PP10000405	B (L)								
2	GRILLE AVANT FRONT GRID	PBT GF 15	GRIS GREY	PP10000406	B (L)								
2	GRILLE AVANT FRONT GRID	PBT GF 15	MARRON BROWN	PP10000407	B (L)								
2	GRILLE AVANT FRONT GRID	PBT GF 15	VERT GREEN	PP10000408	B (L)								
1	ISOLANT PORTE-CLIPS FEMALE HOUSING	PBT GF 15	NOIR BLACK	C088300	D (L)								

SEE DRAWING PCC0843002

SEE DRAWING PCC0843002

SEE DRAWING PCC0843002

ECN: NO. NUMBER ECN POSITION POSITION

PROJET SPEC. SPECIFICATION

DELPHI P/N ADDED

B7 GREEN CODING DETAILS ADDED IN TABLE

B7 VIEW MOVED TO D5

CHANGE REVISION OF TPA (B WAS A)

CHANGE REVISION OF SEALED VERSION CONNECTOR AND HOUSING (D WAS C)

ADD DELPHI PART NUMBER

ADD DELPHI LOGO

REMOVE OF UNSEALED VERSIONS, WHICH ARE ONLY PRODUCED IN A VERSION

REVIEW OF TOLERANCES TO BE ACCORDANCE WITH OTHER CUSTOMER DRAWINGS

CHANGE TO IMPROVE TPA CLOSING FOR AUTOMATIC CONTROL

DELPHI

CMC 48W X VERSION

CMC PROJECT

PCC0420007

See Table

## X-ON Electronics

Largest Supplier of Electrical and Electronic Components

*Click to view similar products for [Automotive Connectors](#) category:*

*Click to view products by [APTIV](#) manufacturer:*

Other Similar products are found below :

[003-018-000](#) [60993906-B](#) [M902-2131](#) [M902-2161](#) [M902-2344](#) [72.330.1035.1](#) [73.353.4028.0](#) [F166900](#) [F358300-B](#) [F407400](#) [776880-1](#)  
[827153-1](#) [8N1515-32-24P](#) [9-1326729-8](#) [925474-1](#) [928905-1](#) [964562-4](#) [968782-1](#) [98891-1012](#) [12004475-L](#) [12020308](#) [12041318-B](#)  
[12052466](#) [12064869](#) [12015909](#) [1-21030-1](#) [12041254](#) [12041318](#) [12047946-B](#) [12110546-B](#) [12131792](#) [12084688](#) [12092346](#) [HD34-18-14PT](#)  
[HD46-24-23SN-059](#) [HDB36-24-16PN-059](#) [HDP26-24-9SE-L015](#) [12185280](#) [12185550](#) [12336-12](#) [12191172-B](#) [12S](#) [13545280](#) [13577943](#)  
[13681974](#) [13737722-B](#) [13830674](#) [13832576](#) [13849772](#) [13542772](#)