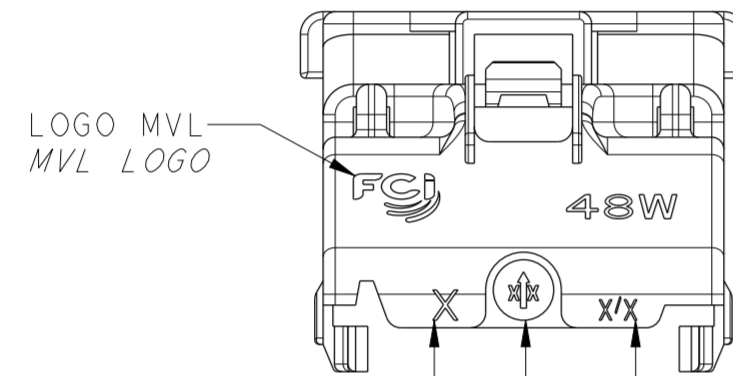


SCALE 1:1



LOGO MVL  
MVL LOGO

INDICE DU CAPOT  
PART LEVEL OF COVER

N° D'EMPREINTE DU CAPOT  
CAVITY MOLD NUMBER OF COVER

DATEUR (MOIS/ANNEE)  
DATE INDICATOR (MONTH/YEAR)

<b>SPECIFICATION DE CONDITIONNEMENT</b> <b>PACKAGING SPECIFICATION</b>
FE PA 06 013
<b>CAHIER DES CHARGES</b> <b>SPECIFICATION</b>
NF R 13-462 FE PS 07 023
<b>MISE EN OEUVRE / APPLICATION SPECIFICATION</b>
DOSSIER DE PRECONISATION / USER'S MANUAL : PU 192

CAPOT / COVER				MODULE MODULE	PRODUITS ASSOCIES / ASSOCIATED PARTS							
MVL		DELPHI			CODAGE CODING	ETANCHEITE SEALING	SORTIE FISEAU WIRING OUT	MVL		DELPHI		
REF. P/N	REV. REV.	REF. P/N	REV. REV.					REF. P/N	IND. REV.	REF. P/N	IND. REV.	
PPI0001524	B	33500794	01	48 VOIES VERSION A 48 WAY VERSION A	NOIR BLACK	NON ETANCHE UNSEALED	GAUCHE LEFT	-	B	33404758	01	
							DROIT RIGHT	-	B	33404759	01	
							GAUCHE LEFT	-	B	33404756	01	
						ETANCHE SEALED	DROIT RIGHT	-	B	33404757	01	
							GAUCHE LEFT	-	B	33404762	01	
							DROIT RIGHT	-	B	33404763	01	
	GRIS GREY	NON ETANCHE UNSEALED	GAUCHE LEFT	-	B	33404760	01					
			DROIT RIGHT	-	B	33404761	01					
			GAUCHE LEFT	-	B	33404764	01					
		ETANCHE SEALED	DROIT RIGHT	-	B	33404765	01					
			GAUCHE LEFT	PPI0001498	B	33500501	01					
			DROIT RIGHT	PPI0001499	B	33500502	01					
MARRON BROWN	NON ETANCHE UNSEALED	GAUCHE LEFT	-	B	33404764	01						
		DROIT RIGHT	-	B	33404765	01						
		GAUCHE LEFT	PPI0001498	B	33500501	01						
	ETANCHE SEALED	DROIT RIGHT	PPI0001499	B	33500502	01						
		GAUCHE LEFT	-	-	-	-						
		DROIT RIGHT	-	-	-	-						

14-06201	-	-	-	-	-	-	-	-	-	-	-	-	-	-	-	-	-	-	-	-
ECN-NO. NUMERO ECN	POSITION POSITION	CHANGE DESCRIPTION MODIFICATION																		
PRODUCT SPEC. SPECIF. PRODUIT	PACKAGING SPEC. SPECIF. EMBALLAGE	APPLICATION SPEC. SPECIF. APPLICATION	COPYRIGHT DELPHI CORPORATION AND/OR ITS AFFILIATES. ALL RIGHTS RESERVED. REVISED THIS DRAWING IS THE PROPERTY OF DELPHI CORPORATION AND CONTAINS DELPHI CONFIDENTIAL INFORMATION. THE REPRODUCTION, DISTRIBUTION AND UTILIZATION OF THIS DOCUMENT OR ITS RELATED CAD DATA, AS WELL AS COMMUNICATION OF ANY CONTENT TO OTHERS, WITHOUT EXPRESS AUTHORIZATION, IS PROHIBITED.																	
SEE TABLE	SEE TABLE	SEE TABLE	TOLERANCES TOLERANCES	±0.3	±2*	MATERIAL : MATIERE :	PBT GF 15	SURFACE FINISH ETAT DE SURFACE	DELPHI	CAD SYSTEM	DELPHI PACKARD ELECTRICAL/ELECTRONIC ARCHITECTURE EPERNON, FRANCE	pro / eng.								
COUNTERPART No. CONTRE-PARTIE N°	COLOUR : COULEUR :	NOIR / BLACK	DO NOT MEASURE DRAWING NE PAS PRENDRE DE COTES	ECO Loc. Code CODE B.E.	FE	DELPHI	DELPHI	DELPHI	DELPHI	DELPHI	DELPHI	DELPHI								
CREATED BY CREE PAR	DATE DATE	NAME NOM	TITLE DESIGNATION	COVER 48W VERSION A GENERIC		STATE ETAT	SERIAL RELEASED	DRAWING NUMBER REF. PLAN	PCC0845627	REV. IND.	A	APPROVAL LEVEL NIV. D'APPROBATION	-							
MODIFIED BY MODIF. PAR	2014/06/12	S LACOTE	PROJECT PROJET	CMC PROJECT		PART NUMBER REF. ARTICLE	PPI0001524	SCALE ECH.	2:1	REV. IND.	B	SHEET FEUILLE	1 of 1 sur 1							
CHECKED BY VERIF. PAR	2014/06/12	F FAURIE	ESR NO. NUMERO ESR	DOCUMENT UNDER PDS CONTROL DOCUMENT GERE SOUS P.D.S. NO MODIFICATION ALLOWED OUTSIDE IPAS DE MODIFICATION EN DEHORS		FILE NAME NOM DE FICHIER	PCC0845627	APPROVED BY APPR. PAR	2014/06/12	Pascal MENARD	STATE ETAT	SERIAL RELEASED	DRAWING NUMBER REF. PLAN	PCC0845627	REV. IND.	A	APPROVAL LEVEL NIV. D'APPROBATION	-		

## X-ON Electronics

Largest Supplier of Electrical and Electronic Components

*Click to view similar products for [Automotive Connectors](#) category:*

*Click to view products by [APTIV](#) manufacturer:*

Other Similar products are found below :

[003-018-000](#) [60403001](#) [60993906-B](#) [629515004020001](#) [M902-2131](#) [M902-2161](#) [72.330.1035.1](#) [73.353.4028.0](#) [F119300-B](#) [F166900](#)  
[F258300-B](#) [F358300-B](#) [F407400](#) [F444110](#) [F487000](#) [F509500B-B](#) [827153-1](#) [8N1515-32-24P](#) [9-1326729-8](#) [925474-1](#) [928905-1](#) [964562-4](#)  
[968782-1](#) [GT17SA-8DS-HU](#) [98891-1012](#) [98947-1016](#) [12004475-L](#) [12010290](#) [12010309-B](#) [12015454](#) [12020219-B](#) [12020308](#) [12041318-B](#)  
[12052225-L](#) [12052466](#) [12059125](#) [12064869](#) [12004327-B](#) [12010503-B](#) [12015308](#) [12015384](#) [12015909](#) [1-21030-1](#) [12041254](#) [12041318](#)  
[12047946-B](#) [12047957](#) [12047957-L](#) [12059473](#) [12066261](#)