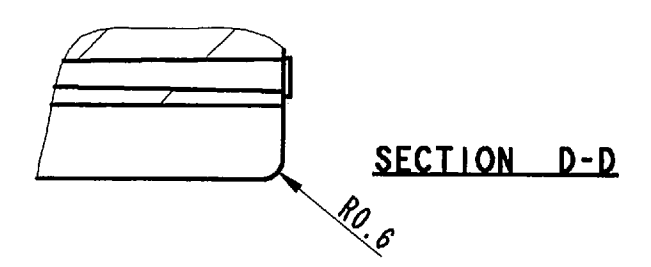
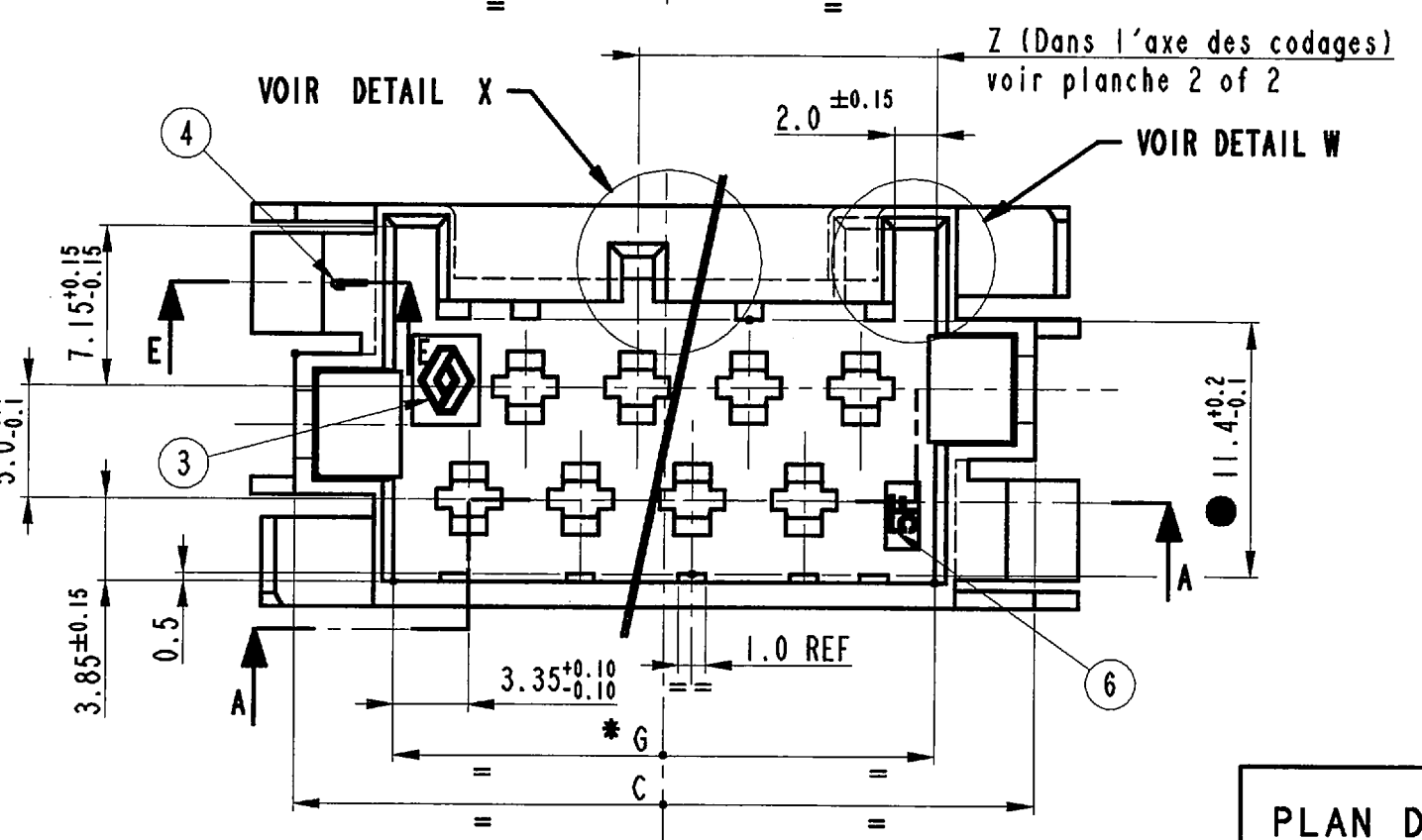
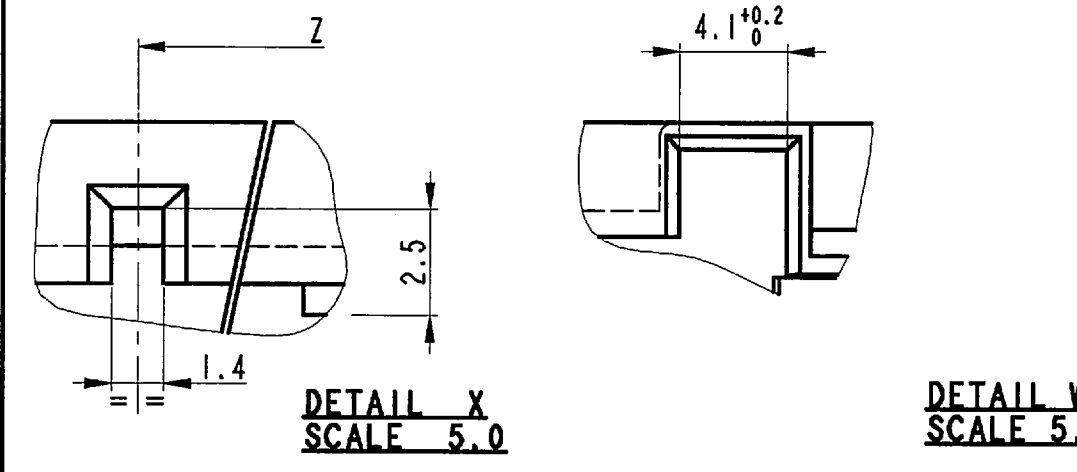
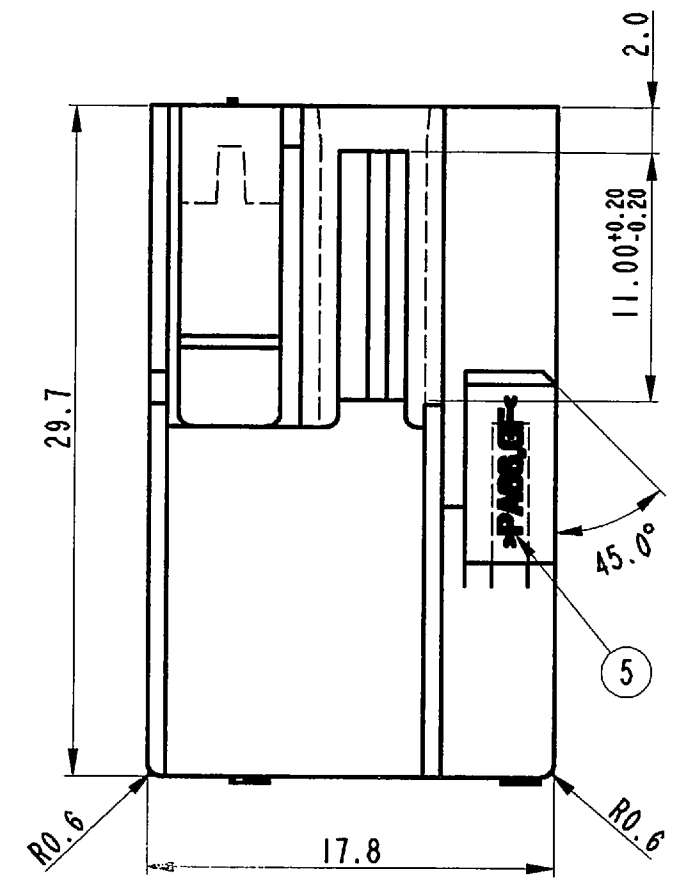
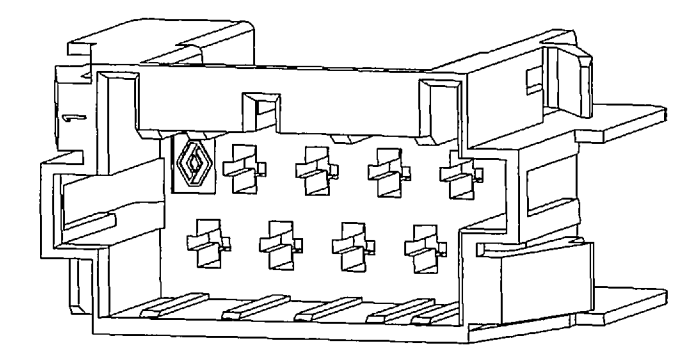
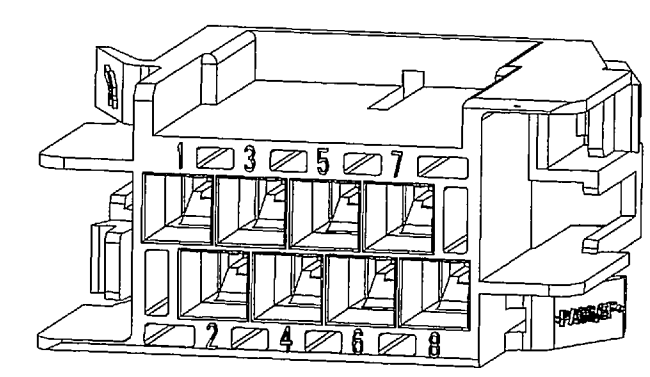


NOTES:

- ① Logo F.C.I. selon spec. IPS 097 , type 2 , hauteur 3 mm , surepaisseur 0.3 mm.
- ② Reperage N° de voie hauteur 1.7 mm ; surepaisseur 0.3 mm.
- ③ Logo RENAULT selon spec. RENAULT V.1. 00-10-501/--B , type 3 (simple) hauteur 3 mm , surepaisseur 0.3 mm.
- ④ Nb identification emprente hauteur 2 mm , surepaisseur 0.3 mm.
- ⑤ Marquage materiau hauteur 3 mm , surepaisseur 0.3 mm.
- ⑥ Code data production hauteur 3 mm , surepaisseur 0.3 mm , voir spec. F.C.Italie n° IPS 105.
- 7 Degré d'inflammabilité selon la norme FMVSS 302 : 50 $\frac{1}{2}$ 70 mm/1' pour epaisseur 1.0 mm.



● COTES SUJETES A CONTROLS DES CAPABILITES (CPK).
* COTES FUNCTIONELLES

Rev.	Date	Description	By
06	15/11/96	Ajournement	R.R.
05	25/03/96	Ajournement	R.R.
04	18/10/95	Ajournement	R.R.
03	04/05/95	Ajournement	R.R.
02	21/02/95	Ajournement	R.R.
01	12/01/95	Ajournement	R.R.

This is our exclusive property. It is not to be copied, reprinted or disclosed to a third party nor used for manufacturing, without our written consent. And has to be returned in case of not usage.
Questo disegno e' di us. esclusiva proprietaria. Non puo' essere copiato, ne riprodotto, ne trasmesso o terzi o utilizzato per la fabbricazione senza la nostra autorizzazione scritta. Deve essere restituito nel caso non sia utilizzato.

All dimensions in mm European projection Proiezione europea
The underlining dimensions are not on scale Le dimensioni sottolineate non sono in scala

TOLERANCES specified	1 dec. ± 0.2 2 dec. ± 0.1 Angles ± 1°	1 dec. 1 dec. 2 dec. 2 dec. Angoli Angoli	TOLLERANZE contrarie
----------------------	---	---	----------------------

MANUFACTURING CRITICAL POINT		
Ⓢ CRITICAL	Ⓜ IMPORTANT	
Approvals	Date	Sign.
Draft	11/10/94	C.SAVINI
Cheched	11/10/94	A.GENTA
References / Riferimenti	EPT 93004	

Description :	PORTE LANGUETTES RT 94 (PLAN DEFINITION CLIENT)	
Material / materiale	PA66 15% FIBRE DE VERRE	
Plating / Trattamento galvanico		
Cat. Nr :	VOIR PLANCHE 2 DE 2	
FRAMATOME CONNECTORS INTERNATIONAL		SCALE
Framatome Connectors Italia S.p.A.		5:1
Drawing Nr :	BPD307840.1_2.06	

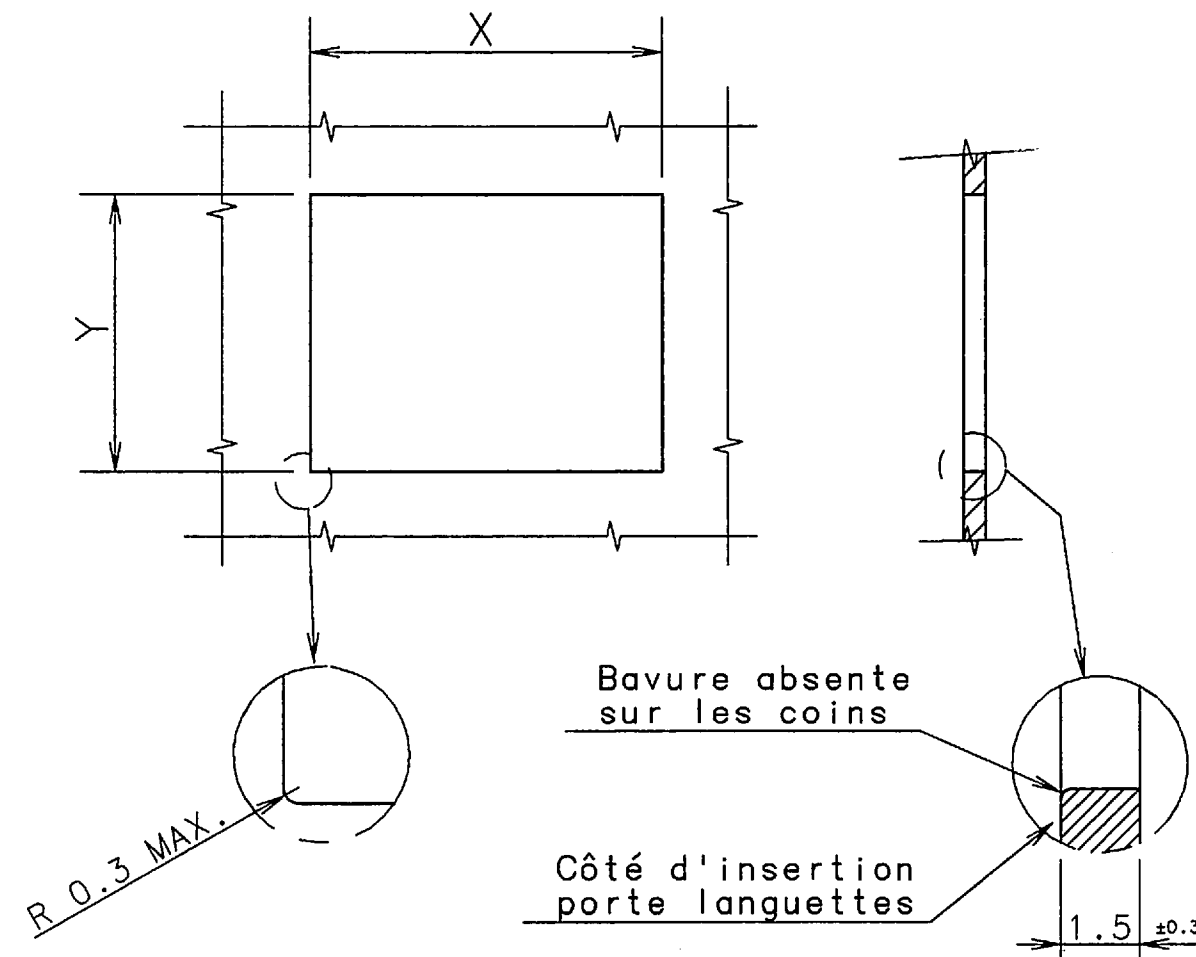
16	35.0	51.1	52.9	56.0	57.0	43.6	44.2	500
8	15.0	31.1	32.9	36.0	37.0	23.6	24.2	1000
4	5.0	21.1	22.9	26.0	27.0	13.6	14.2	1500
2	—	16.1	17.9	21.0	22.0	8.6	9.2	1500
NB. DE VOIES	A ±0.15	B ±0.25	C ±0.3	D ±0.3	E	F	G ±0.1	COND I

PLAN D'ASSEMBLAGE 5010293038

TYPE	CODAGES	Nb. DE VOIES	Z±0.2	COULEUR	CODE F.C.I.	CODE R.V.I.	POIDS EN GRAMMES
J		2	—	NOIR	RT94RH02BK*T	5010214474	3.7
A		2	3.35	BLANC	RT94RH02WH*T	5010214475	3.7
B		2	5.85	GRIS	RT94RH02GY*T	5010214476	3.7
J		4	—	NOIR	RT94RH04BK*T	5010214482	3.7
A		4	3.35	BLANC	RT94RH04WH*T	5010214483	4.6
B		4	5.85	GRIS	RT94RH04GY*T	5010214484	4.6
C		4	8.35	JAUNE	RT94RH04YE*T	5010214485	4.6
A		8	3.35	BLANC	RT94RH08WH*T	5010214497	6.6

TYPE	CODAGES	Nb. DE VOIES	Z±0.2	COULEUR	CODE F.C.I.	CODE R.V.I.	POIDS EN GRAMMES
B		8	5.85	GRIS	RT94RH08GY*T	5010214498	6.6
C		8	8.35	JAUNE	RT94RH08YE*T	5010214499	6.6
G		8	18.35	VIOLET	RT94RH08VL*T	5010214503	6.6
E		8	13.35	ROUGE	RT94RH08RD*T	5010214501	6.6
H		8	10.85	MARRON	RT94RH08BN*T	5010214504	6.6

PLAN DE DÉCOUPE



	2 VOIES	4 VOIES	8 VOIES
Dim. X	18.4 $^{+0.15}_0$	23.4 $^{+0.15}_0$	33.4 $^{+0.15}_0$
Dim. Y	18.4 $^{+0.15}_0$	18.4 $^{+0.15}_0$	18.4 $^{+0.15}_0$

REV.	DATE	DESCRIPTION	BY
06	31/05/12	ECN 12-00684 Removed master column	GB - MC
05	15/11/96	Ajournement	R.R.
04	25/03/96	Ajournement	R.R.
03	18/10/95	Ajournement	R.R.
02	04/05/95	Ajournement	R.R.
01	21/02/95	Ajournement	R.R.
01	12/01/95	Ajournement	R.R.

MATERIAU / MATERIALE
PA66 15% FIBRE DE VERRE

Questo disegno è di esclusiva proprietà
Non può essere copiato, né riprodotto, né
trasferito a terzi o utilizzato per la
fabbricazione senza la nostra autorizzazione
scritta. Deve essere restituito nel caso
non sia utilizzato.

This is our exclusive property. It is not
to be copied, reprinted or disclosed to a
third party nor used for manufacturing,
without our written consent, and has to be
returned in case of not usage.

TOLERANCES	1DEC ±0.2	1DEC ±0.1	TOLLERANZE
NON SPECIFIES	2DEC ±0.1	2DEC ±0.1	SALVO ISTRUZIONI CONTRARIE

TOUTES DIMENSIONS EN mm	EUROPEAN PROJECTION PROIEZIONE EUROPEA	DIMENSIONI IN MM
-------------------------	--	------------------

THE UNDERLINED DIMENSIONS ARE NOT ON SCALE
LE DIMENSIONI SOTTOLINEATE NON SONO IN SCALA

REFERENCES / RIFERIMENTI
EPT93004

DESSIN	DATE	SIGN.
VERIFICATION	11.10.94	C.SAVINI
	11.10.94	A.GENTA

← MANUFACTURING CRITICAL POINT
© CRITICAL ① IMPORTANT

PORTE LANGUETTES RT94
(PLAN DEFINITION CLIENT)

CAT. No. VOIR PLANCHE

FCI FRAMATOME CONNECTORS INTERNATIONAL
Framatome Connectors Italia S.p.A.

PLAN N° BPD307840.2_2.06

X-ON Electronics

Largest Supplier of Electrical and Electronic Components

Click to view similar products for [Automotive Connectors](#) category:

Click to view products by [APTIV](#) manufacturer:

Other Similar products are found below :

[003-018-000](#) [60403001](#) [60993906-B](#) [629515004020001](#) [M902-2131](#) [M902-2161](#) [72.330.1035.1](#) [73.353.4028.0](#) [F119300-B](#) [F166900](#)
[F258300-B](#) [F358300-B](#) [F407400](#) [F444110](#) [F487000](#) [F509500B-B](#) [827153-1](#) [8N1515-32-24P](#) [9-1326729-8](#) [925474-1](#) [928905-1](#) [964562-4](#)
[968782-1](#) [GT17SA-8DS-HU](#) [98891-1012](#) [98947-1016](#) [12004475-L](#) [12010290](#) [12010309-B](#) [12015454](#) [12020219-B](#) [12020308](#) [12041318-B](#)
[12052225-L](#) [12052466](#) [12059125](#) [12064869](#) [12004327-B](#) [12010503-B](#) [12015308](#) [12015384](#) [12015909](#) [1-21030-1](#) [12041254](#) [12041318](#)
[12047946-B](#) [12047957](#) [12047957-L](#) [12059473](#) [12066261](#)