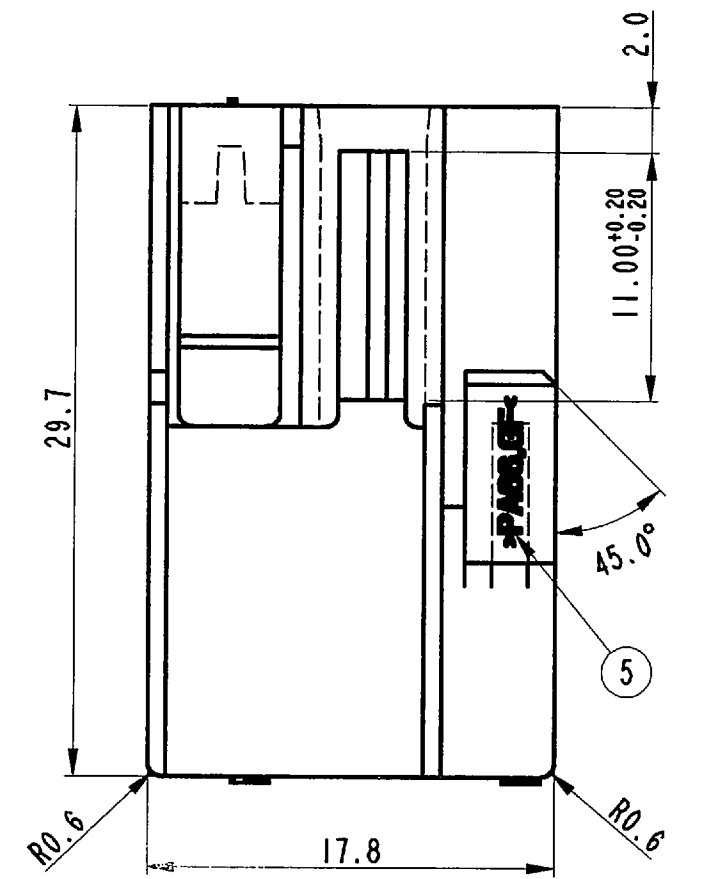
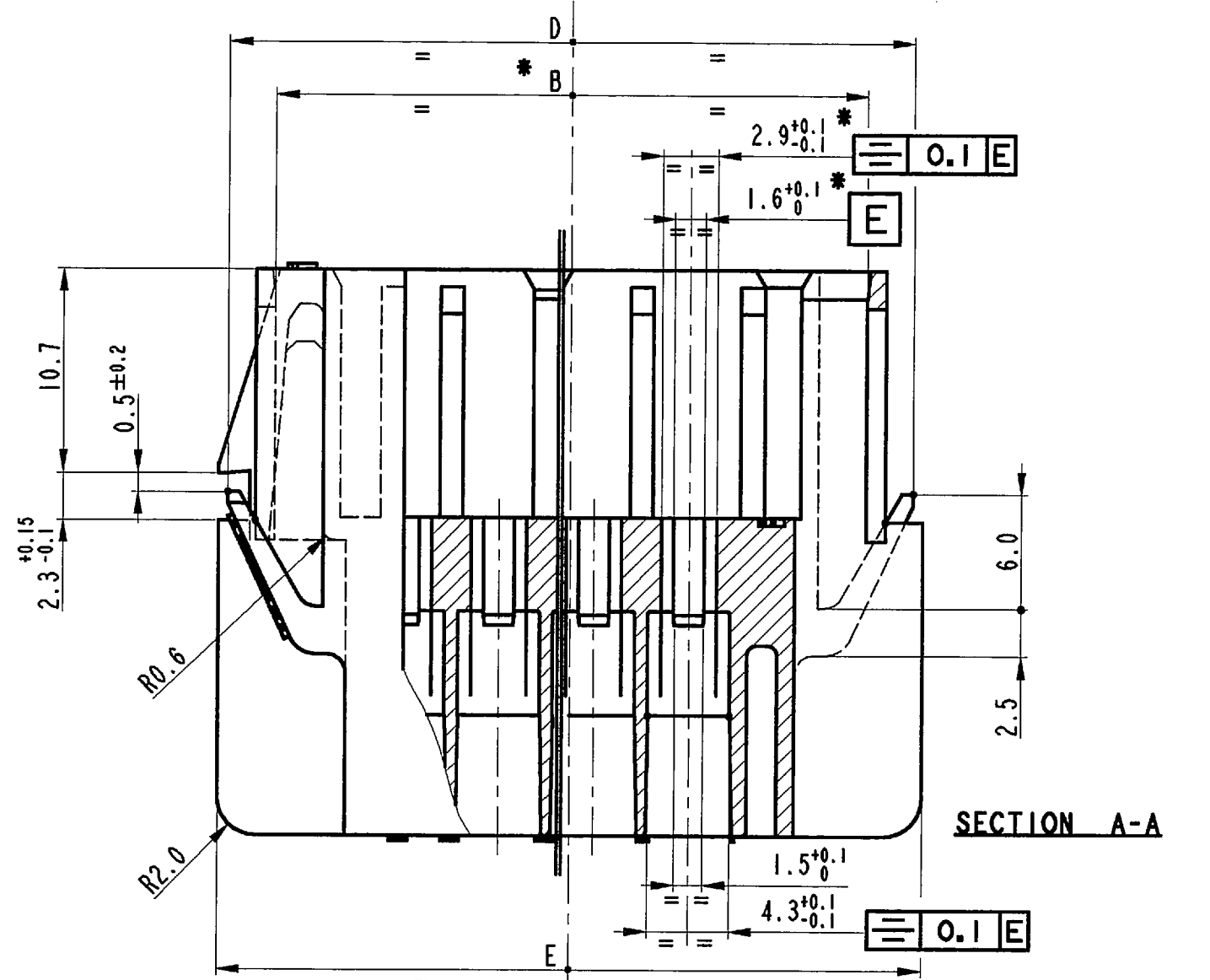
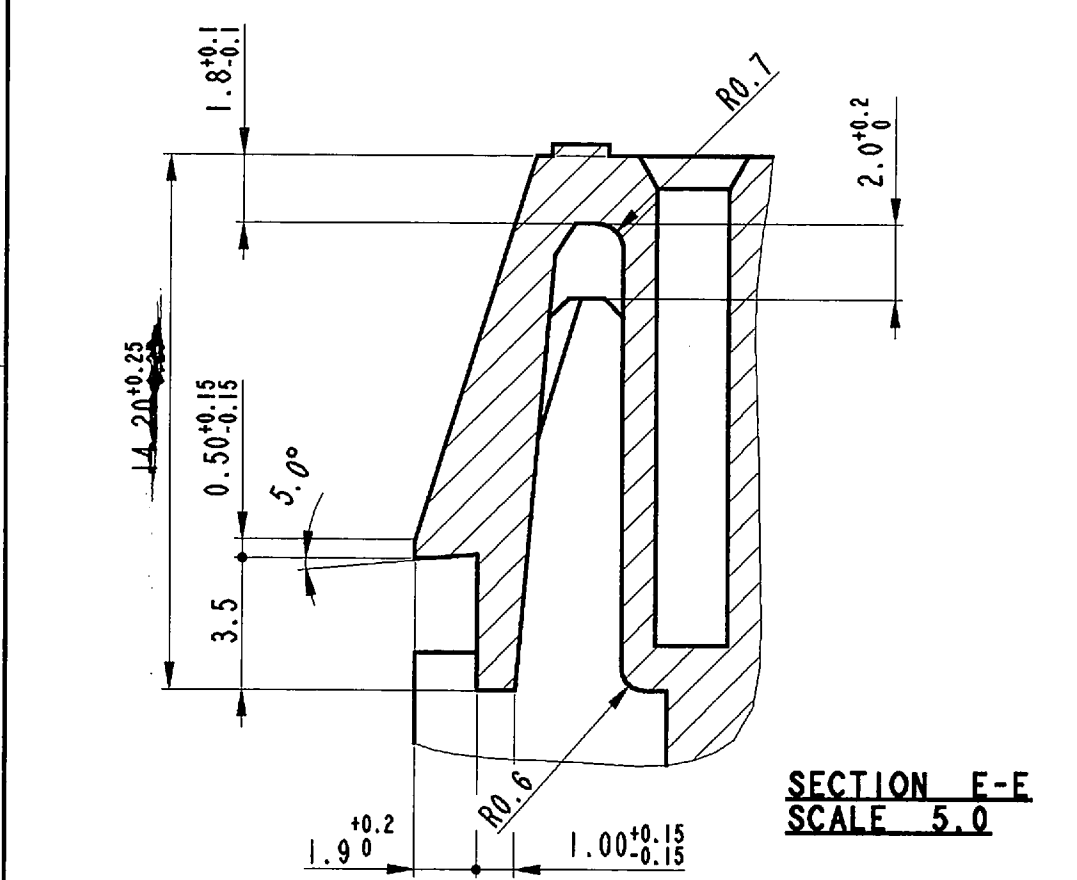
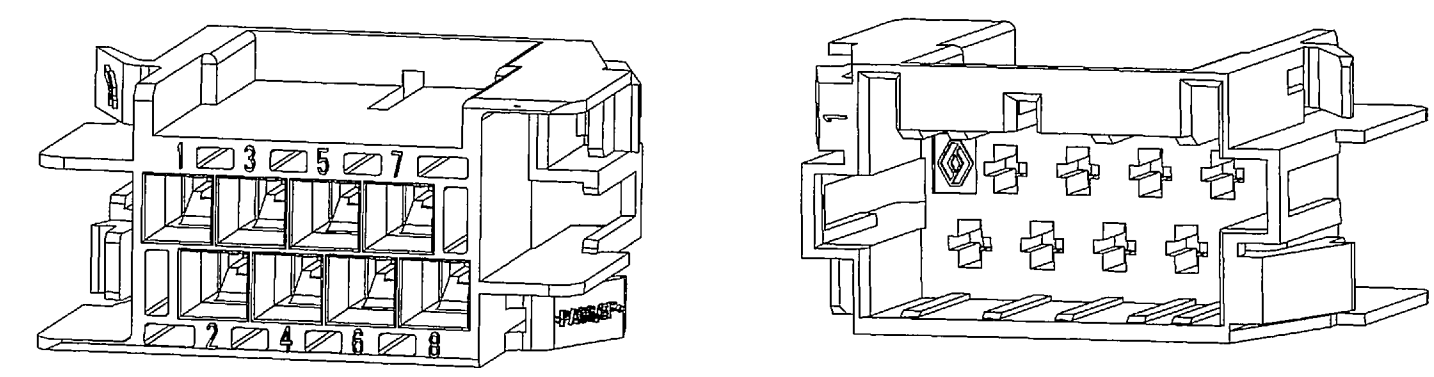
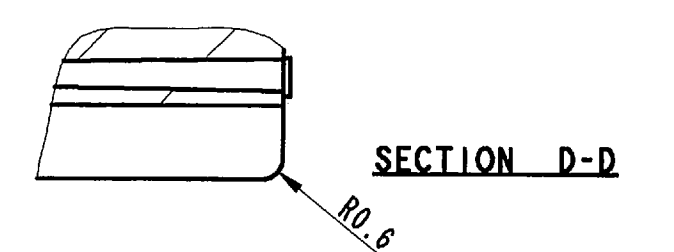
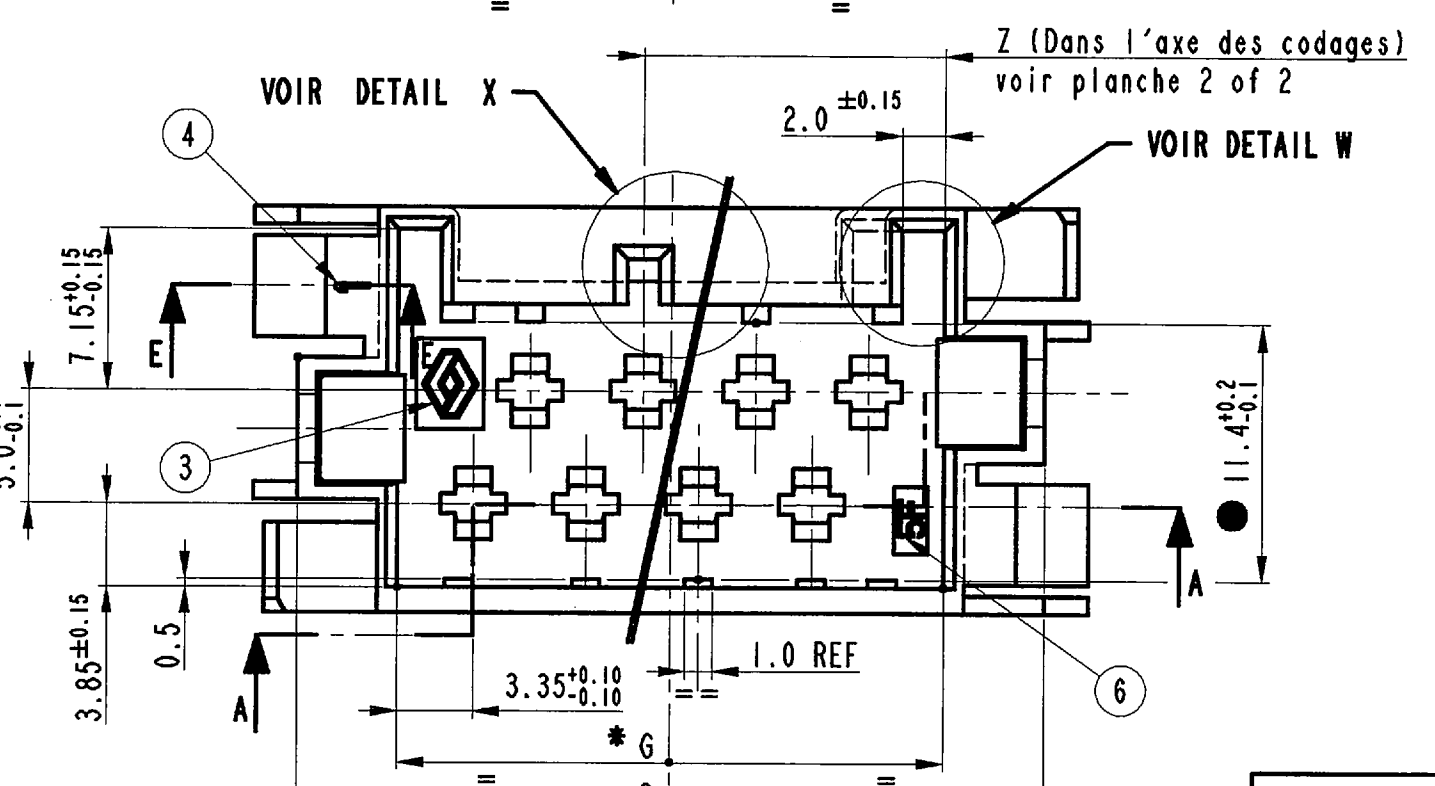
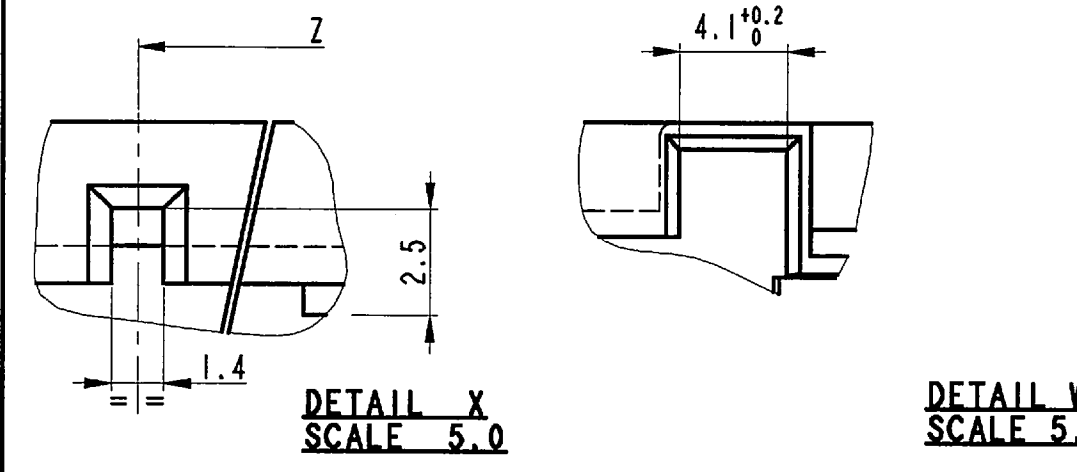


- NOTES:**
- Logo F.C.I. selon spec. IPS 097 , type 2 , hauteur 3 mm , surepaisseur 0.3 mm.
  - Reperage N° de voie hauteur 1.7 mm ; surepaisseur 0.3 mm.
  - Logo RENAULT selon spec. RENAULT V.1. 00-10-501/--B , type 3 (simple) hauteur 3 mm , surepaisseur 0.3 mm.
  - Nb identification emprente hauteur 2 mm , surepaisseur 0.3 mm.
  - Marquage materiau hauteur 3 mm, surepaisseur 0.3 mm.
  - Code data production hauteur 3 mm , surepaisseur 0.3 mm, voir spec. F.C.italie n° IPS 105.
  - Degré d'inflammabilité selon la norme FMVSS 302 : 50  $\frac{1}{2}$  70 mm/1' pour epaisseur 1.0 mm.



● COTES SUJETES A CONTROLS DES CAPABILITES (CPK).  
\* COTES FUNCTIONELLES

Rev.	Date	Description	By
A	31/05/12	ECN 12-00684 Removed master column	GB - MC
06	15/11/96	Ajournement	R.R.
05	25/03/96	Ajournement	R.R.
04	18/10/95	Ajournement	R.R.
03	04/05/95	Ajournement	R.R.
02	21/02/95	Ajournement	R.R.
01	12/01/95	Ajournement	R.R.



16	35.0	51.1	52.9	56.0	57.0	43.6	44.2	500
8	15.0	31.1	32.9	36.0	37.0	23.6	24.2	1000
4	5.0	21.1	22.9	26.0	27.0	13.6	14.2	1500
2	—	16.1	17.9	21.0	22.0	8.6	9.2	1500
NB. DE VOIES	A ±0.15	B ±0.25	C ±0.3	D ±0.3	E	F	G ±0.1	COND I

PLAN D'ASSEMBLAGE 5010293038

This is our exclusive property. It is not to be copied, reprinted or disclosed to a third party nor used for manufacturing, without our written consent. And has to be returned in case of not usage.

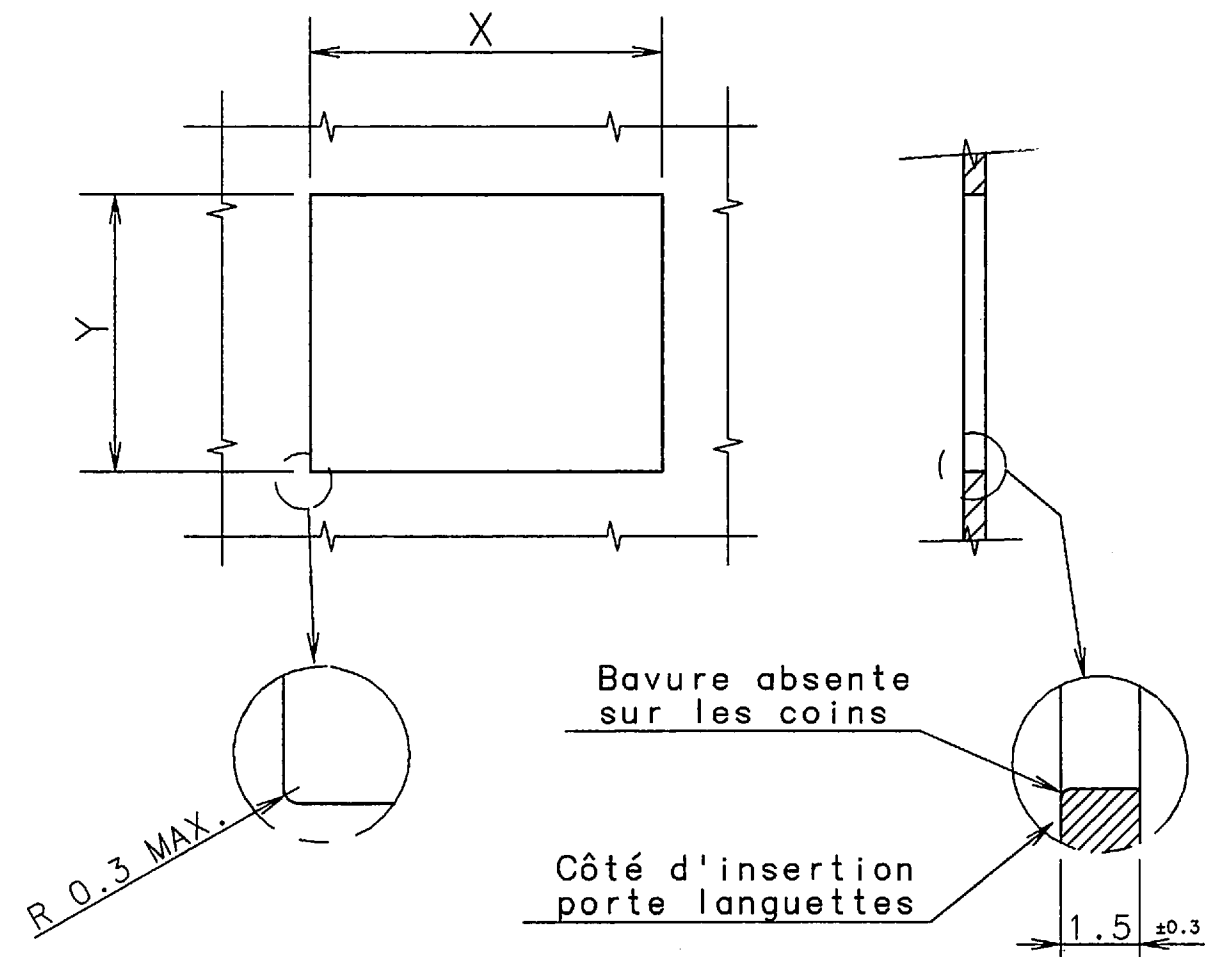
Questo disegno e' di us. esclusiva proprietaria. Non puo' essere copiato, ne riprodotto, ne trasmesso o terzi o utilizzato per la fabbricazione senza la nostra autorizzazione scritta. Deve essere restituito nel caso non sia utilizzato.

All dimensions in mm	European projection	Dimensioni in mm
The underlining dimensions are not on scale	Proiezione europea	Le dimensioni sottolineate non sono in scala
TOLERANCES unless otherwise specified	1 dec. ± 0.2 2 dec. ± 0.1 Angles ± 1°	TOLLERANZE Salvo istruzioni contrarie
MANUFACTURING CRITICAL POINT		
Ⓢ CRITICAL Ⓢ IMPORTANT		
Approvals	Date	Sign.
Draft	11/10/94	C.SAVINI
Cheched	11/10/94	A.GENTA
References / Riferimenti	EPT 93004	
Description :	PORTE LANGUETTES RT 94 (PLAN DEFINITION CLIENT)	
Material / materiale	PA66 15% FIBRE DE VERRE	
Plating / Trattamento galvanico		
Cat. Nr :	VOIR PLANCHE 2 DE 2	
FRAMATOME CONNECTORS INTERNATIONAL		SCALE
Framatome Connectors Italia S.p.A.		5:1
Drawing Nr :	BPD307840.1_2.06	

TYPE	CODAGES	Nb. DE VOIES	Z <sup>±0.2</sup>	COULEUR	CODE F.C.I.	CODE R.V.I.	POIDS EN GRAMMES
J		2	—	NOIR	RT94RH02BK*T	5010214474	3.7
A		2	3.35	BLANC	RT94RH02WH*T	5010214475	3.7
B		2	5.85	GRIS	RT94RH02GY*T	5010214476	3.7
J		4	—	NOIR	RT94RH04BK*T	5010214482	3.7
A		4	3.35	BLANC	RT94RH04WH*T	5010214483	4.6
B		4	5.85	GRIS	RT94RH04GY*T	5010214484	4.6
C		4	8.35	JAUNE	RT94RH04YE*T	5010214485	4.6
A		8	3.35	BLANC	RT94RH08WH*T	5010214497	6.6

TYPE	CODAGES	Nb. DE VOIES	Z <sup>±0.2</sup>	COULEUR	CODE F.C.I.	CODE R.V.I.	POIDS EN GRAMMES
B		8	5.85	GRIS	RT94RH08GY*T	5010214498	6.6
C		8	8.35	JAUNE	RT94RH08YE*T	5010214499	6.6
G		8	18.35	VIOLET	RT94RH08VL*T	5010214503	6.6
E		8	13.35	ROUGE	RT94RH08RD*T	5010214501	6.6
H		8	10.85	MARRON	RT94RH08BN*T	5010214504	6.6

### PLAN DE DÉCOUPE



	2 VOIES	4 VOIES	8 VOIES
Dim. X	18.4 <sup>+0.15</sup> <sub>0</sub>	23.4 <sup>+0.15</sup> <sub>0</sub>	33.4 <sup>+0.15</sup> <sub>0</sub>
Dim. Y	18.4 <sup>+0.15</sup> <sub>0</sub>	18.4 <sup>+0.15</sup> <sub>0</sub>	18.4 <sup>+0.15</sup> <sub>0</sub>

REV.	DATE	DESCRIPTION	BY
06	31/05/12	ECN 12-00684 Removed master column	GB - MC
05	15/11/96	Ajournement	R.R.
04	25/03/96	Ajournement	R.R.
03	18/10/95	Ajournement	R.R.
02	04/05/95	Ajournement	R.R.
01	21/02/95	Ajournement	R.R.
01	12/01/95	Ajournement	R.R.

MATERIAU / MATERIALE  
PA66 15% FIBRE DE VERRE

Questo disegno è di esclusiva proprietà e non può essere copiato, né riprodotto, né trasmesso a terzi o utilizzato per la fabbricazione senza la nostra autorizzazione scritta. Deve essere restituito nel caso non sia utilizzato.

This is our exclusive property. It is not to be copied, reprinted or disclosed to a third party nor used for manufacturing, without our written consent, and has to be returned in case of not usage.

TOLERANCES	1DEC ±0.2	1DEC ±0.1	TOLLERANZE
NON SPECIFIES	2DEC ±0.1	2DEC ±0.1	SALVO ISTRUZIONI CONTRARIE

TOUTES DIMENSIONS EN mm	EUROPEAN PROJECTION PROIEZIONE EUROPEA	DIMENSIONI IN MM
-------------------------	--	------------------

THE UNDERLINED DIMENSIONS ARE NOT ON SCALE / LE DIMENSIONI SOTTOLINEATE NON SONO IN SCALA

REFERENCES / RIFERIMENTI  
EPT93004

DESSIN	DATE	SIGN.
VERIFICATION	11.10.94	C.SAVINI
	11.10.94	A.GENTA

← MANUFACTURING CRITICAL POINT  
© CRITICAL    ① IMPORTANT

PORTE LANGUETTES RT94  
(PLAN DEFINITION CLIENT)

CAT. No. VOIR PLANCHE

**FCI** FRAMATOME CONNECTORS INTERNATIONAL  
Framatome Connectors Italia S.p.A.

PLAN N° BPD307840.2\_2.06

## X-ON Electronics

Largest Supplier of Electrical and Electronic Components

*Click to view similar products for [Automotive Connectors](#) category:*

*Click to view products by [APTIV](#) manufacturer:*

Other Similar products are found below :

[003-018-000](#) [60403001](#) [60993906-B](#) [629515004020001](#) [M902-2131](#) [M902-2161](#) [72.330.1035.1](#) [73.353.4028.0](#) [F119300-B](#) [F166900](#)  
[F258300-B](#) [F358300-B](#) [F407400](#) [F444110](#) [F487000](#) [F509500B-B](#) [827153-1](#) [8N1515-32-24P](#) [9-1326729-8](#) [925474-1](#) [928905-1](#) [964562-4](#)  
[968782-1](#) [GT17SA-8DS-HU](#) [98891-1012](#) [98947-1016](#) [12004475-L](#) [12010290](#) [12010309-B](#) [12015454](#) [12020219-B](#) [12020308](#) [12041318-B](#)  
[12052225-L](#) [12052466](#) [12059125](#) [12064869](#) [12004327-B](#) [12010503-B](#) [12015308](#) [12015384](#) [12015909](#) [1-21030-1](#) [12041254](#) [12041318](#)  
[12047946-B](#) [12047957](#) [12047957-L](#) [12059473](#) [12066261](#)