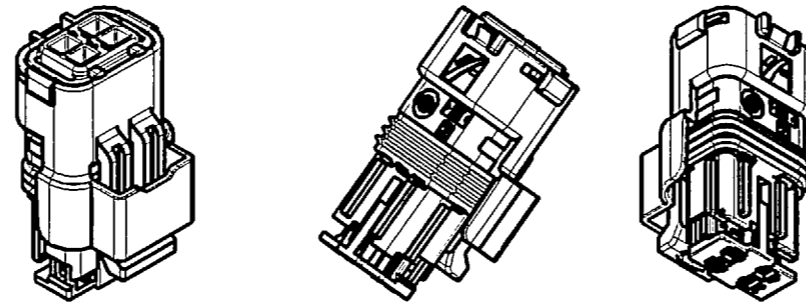


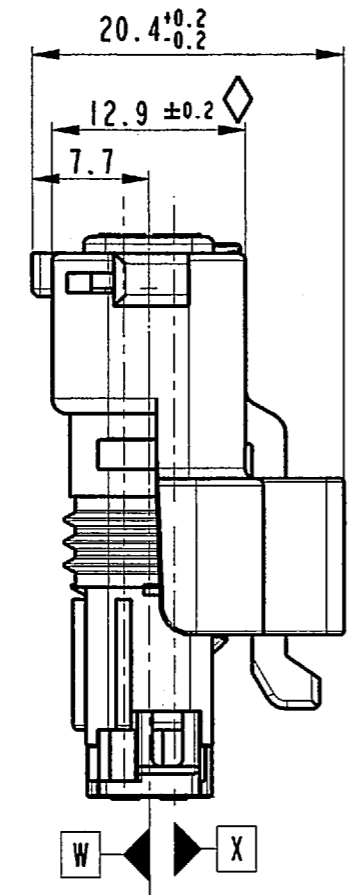
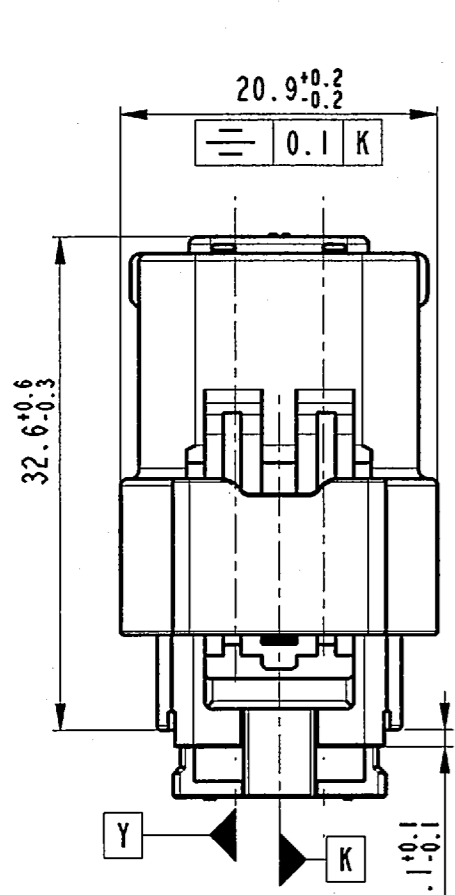
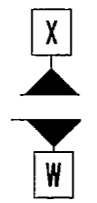
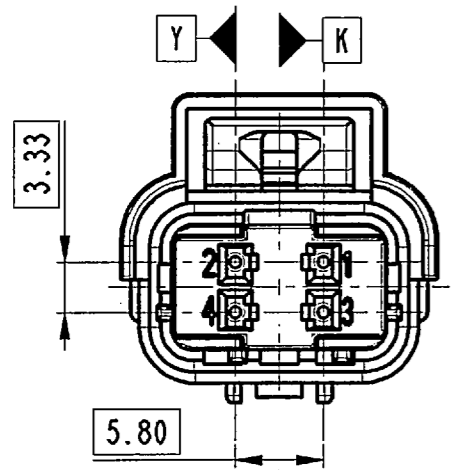
STRICTLY CONFIDENTIAL

SCALE 1:1

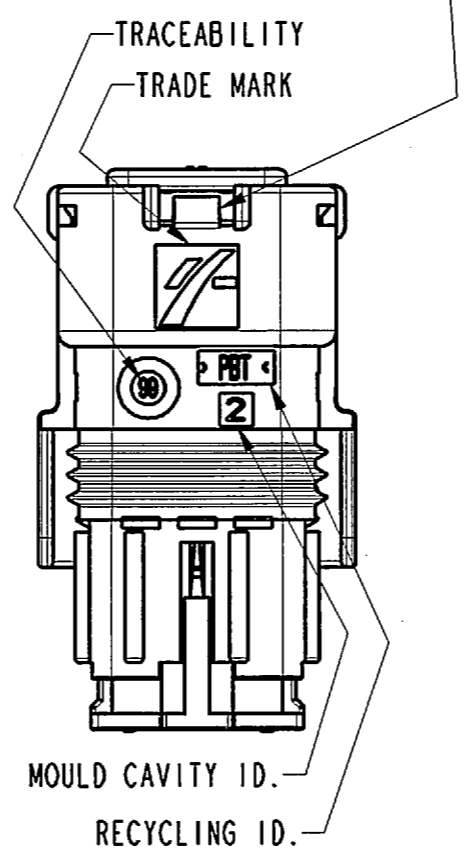


FEMALE TERMINALS USED
 MIN. and MAX. wires range used for these applications

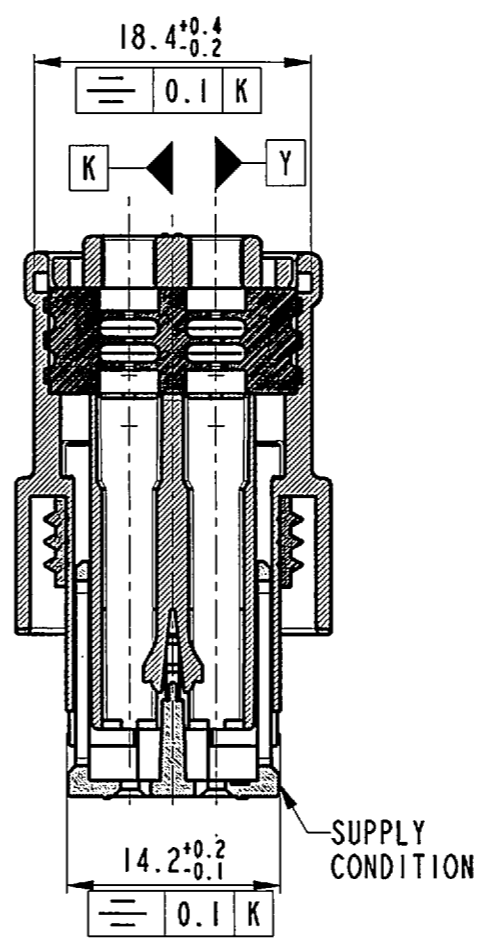
TYPE	GAMME	WIRE SECTION		PLATING
		MIN.	MAX.	
SICMA 3	I	0.35 mm ²	0.75 mm ²	TINNED
		1.00 mm ²	2.00 mm ²	
	II	0.35 mm ²	0.75 mm ²	SELEC. GOLD
		1.00 mm ²	2.00 mm ²	
SICMA 2 (for FIAT applications)	I	0.35 mm ²	0.75 mm ²	TINNED
		1.00 mm ²	2.00 mm ²	
	II	0.35 mm ²	0.75 mm ²	SELEC. GOLD 1.27 μm
		1.00 mm ²	2.00 mm ²	



SEPARATION BETWEEN BODY AND GRID IS ALLOWED DURING CONNECTOR ASS'Y

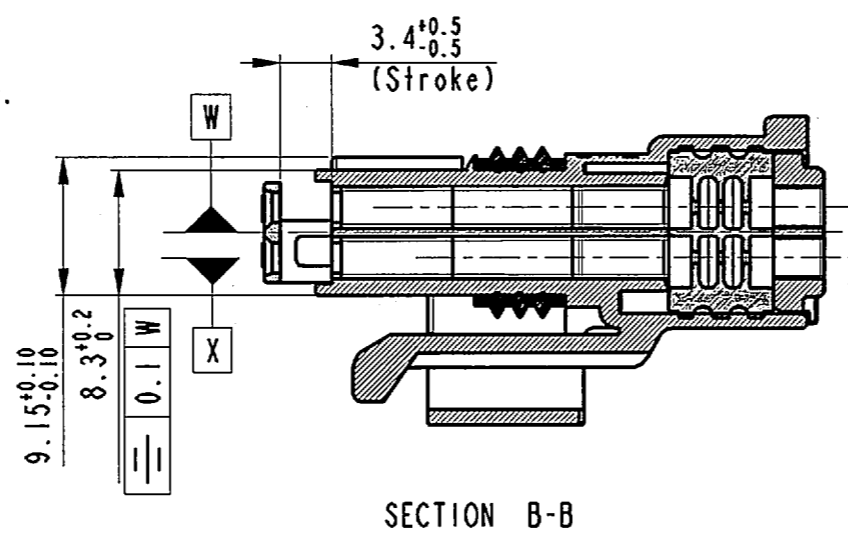
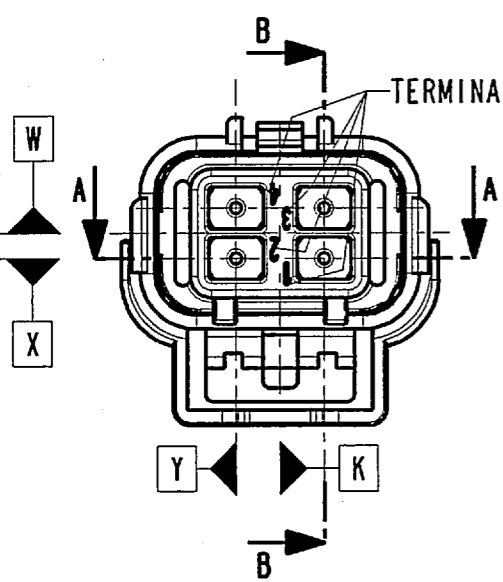


SECTION A-A



NOTE:

- 1- Connettore secondo Specifica FIAT 9.91320/02
- 2- Capability ◊

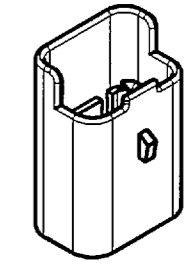


ECN-NO.	DATE	REVISION	POSITION	CHANGE DESCRIPTION	DRAWN BY	CHK. BY	APPR. BY
NUMERO - ECN	DATA	REVISIONE	POSIZIONE	DESCRIZIONE MODIFICA	DISEGNATORE	CONTROLLATO	APPROVATO
22-07	13.03.'07	11		Updated Body, Grid shapes			lc
19-07	27.02.'07	10		Added Part/Nbr. SICFHPE04BN	E.CINI		M.C.
81-06	28.11.'06	09		Added Part/Nbr. SICFHPE04DGN	E.CINI		M.C.

PRODUCT SPEC. SPEC. DI PRODOTTO
 PACKAGING SPEC. SPEC. DI IMBALLAGGIO
 APPLICATION SPEC. SPEC. DI APPLICAZIONE
 THIS DRAWING AND ALL OTHER INFORMATION CONTAINED THEREIN IS PROPRIETARY AND THE PROPERTY OF FCI. This drawing may not be copied, reproduced or disclosed to any third party without the expressed written permission of FCI.
 © FCI April 1999

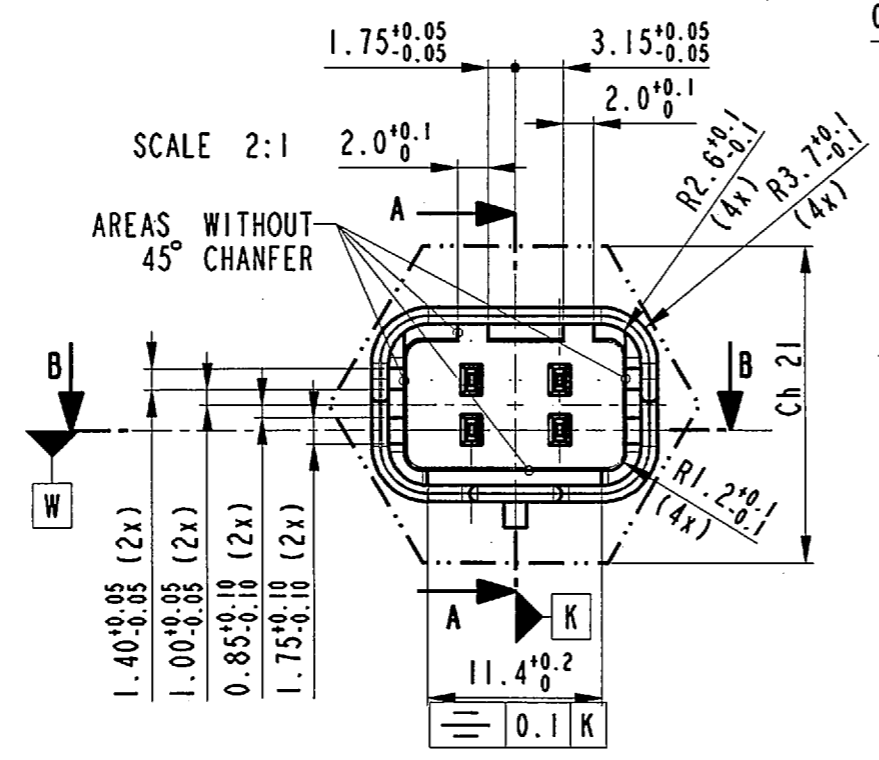
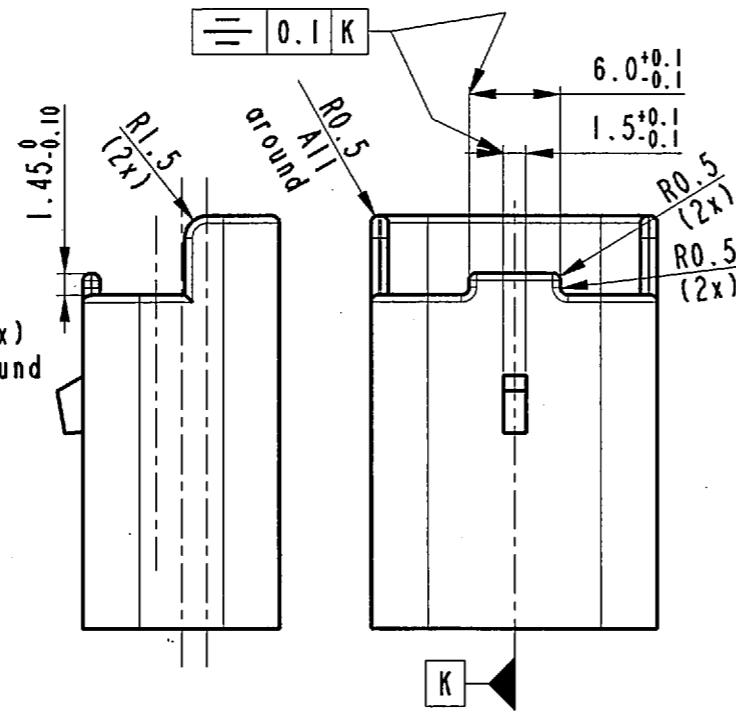
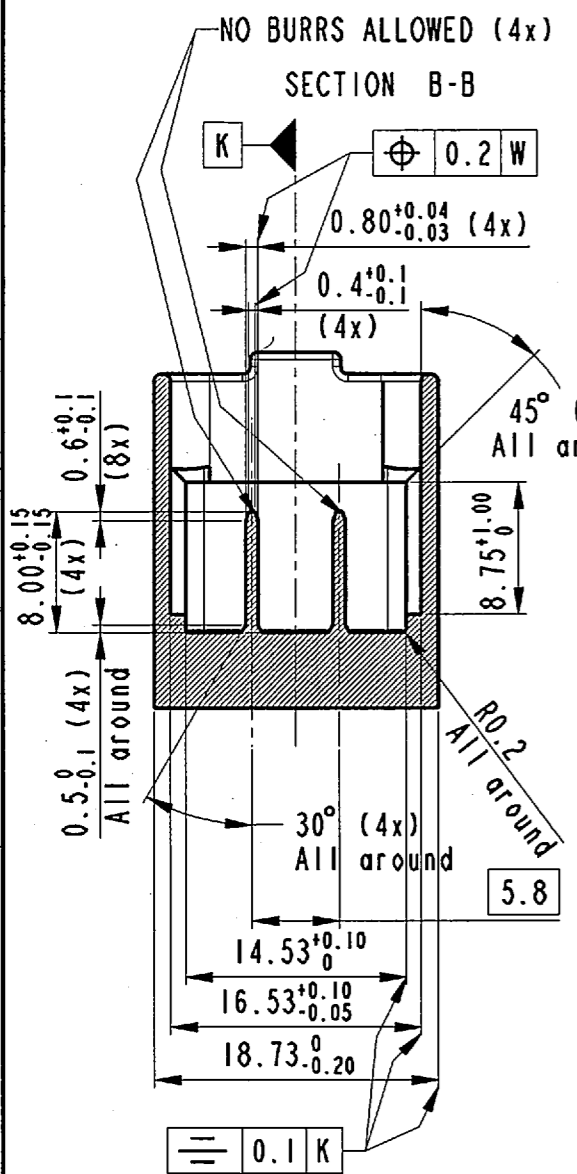
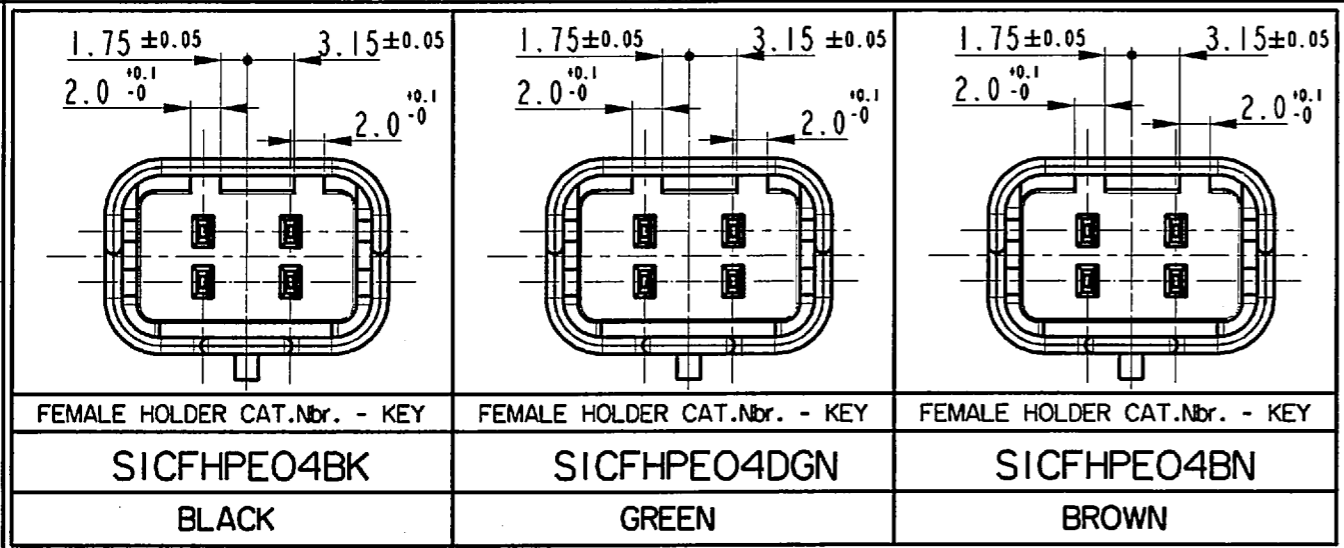
TOLERANCES TOLLERANZE ± 0.3 mm / ± 0.1 mm
 MATERIAL: MATERIALE: > PBT - GF <
 COLOUR: COLORE: SEE TABLE
 SURFACE FINISH FINITURA SUPERFICIALE: -
 DO NOT SCALE DRAWING DISEGNO FUORI SCALA
 DRAWN BY: DATE: 07.06.'00, NAME: E. CINI
 CHECKED BY: NAME: PC.B.
 APPROVED BY: DATE: 07.06.'00, NAME: PC.B.
 TITLE DESCRIZIONE: 4 w 1.5x0.8 FEMALE HOLDER - sealed -
 DRAWING NUMBER NUMERO DISEGNO: FSC 309140
 FILE NAME HOME FILE: FSC309140_11
 CAD SYSTEM: pro / eag.
 DIMENSION IN MILLIMETERS DIMENSIONI IN MILLIMETRI: A3
 SHEET FOGGIO: 1 of 2
 SCALE SCALA: 1:1

STRICTLY CONFIDENTIAL



SCALE 1:1

INTERFACE



SEE SHEET 1/2									
ECN-NO. NUMERO -ECN	DATE DD / MM / YY DATA	REVISION REVISIONE	POSITION POSIZIONE	CHANGE DESCRIPTION DESCRIZIONE MODIFICA	DRAWN BY DISEGNATORE	CHK. BY CONTROLLATO	APPR. BY APPROVATO		
PRODUCT SPEC. SPEC. DI PRODOTTO	PACKAGING SPEC. SPEC. DI IMBALLAGGIO	APPLICATION SPEC. SPEC. DI APPLICAZIONE	THIS DRAWING AND ALL OTHER INFORMATION CONTAINED THEREIN IS PROPRIETARY AND THE PROPERTY OF FCI. This drawing may not be copied, reproduced or disclosed to any third party without the expressed written permission of FCI. © FCI April 1999		QUESTO DISEGNO ED OGNI ALTRA INFORMAZIONE IN ESSO CONTENUTA SONO ESCLUSIVI E DI PROPRIETA' DELLA FCI. Questo disegno non puo' essere copiato, riprodotto o divulgato a terzi senza l'espresso consenso scritto della FCI. © FCI April 1999				
TOLERANCES TOLLERANZE	± 0.3 mm / ± 0.1	MATERIAL: MATERIALE	> PBT - GF <		SURFACE FINISH FINITURA SUPERFICIALE		CAD SYSTEM		
COUNTERPART Nr. CONTROPARTE Nr.		COLOUR: COLORE	SEE TABLE		FCI		ISO PROJECTION PROIEZIONE ISO		
DO NOT SCALE DRAWING DISEGNO FUORI SCALA		TOOL NO.			IT		DWG SIZE FORNATO		
DRAWN BY DISEGNATORE	DATE DATA	NAME NOME	TITLE DESCRIZIONE		DRAWING NUMBER NUMERO DISEGNO		SHEET FOLGIO		
CHECKED BY CONTROLLATO	07.06.'00	E. CINI	4 w 1.5x0.8 FEMALE HOLDER - sealed -		FSC 309140		A3		
APPROVED BY APPROVATO	07.06.'00	PC.B.	ESR NO. NUMERO ESR	ITA 2039	CAT. NO. NUMERO CAT.	SEE TABLE	FILE NAME NUMERO FILE	FSC309140_11	
							SCALE SCALA		1:1

X-ON Electronics

Largest Supplier of Electrical and Electronic Components

Click to view similar products for [Automotive Connectors](#) category:

Click to view products by [APTIV](#) manufacturer:

Other Similar products are found below :

[003-018-000](#) [60403001](#) [60993906-B](#) [629515004020001](#) [M902-2131](#) [M902-2161](#) [72.330.1035.1](#) [73.353.4028.0](#) [F119300-B](#) [F166900](#)
[F258300-B](#) [F358300-B](#) [F407400](#) [F444110](#) [F487000](#) [F509500B-B](#) [827153-1](#) [8N1515-32-24P](#) [9-1326729-8](#) [925474-1](#) [928905-1](#) [964562-4](#)
[968782-1](#) [GT17SA-8DS-HU](#) [98891-1012](#) [98947-1016](#) [12004475-L](#) [12010290](#) [12010309-B](#) [12015454](#) [12020219-B](#) [12020308](#) [12041318-B](#)
[12052225-L](#) [12052466](#) [12059125](#) [12064869](#) [12004327-B](#) [12010503-B](#) [12015308](#) [12015384](#) [12015909](#) [1-21030-1](#) [12041254](#) [12041318](#)
[12047946-B](#) [12047957](#) [12047957-L](#) [12059473](#) [12066261](#)