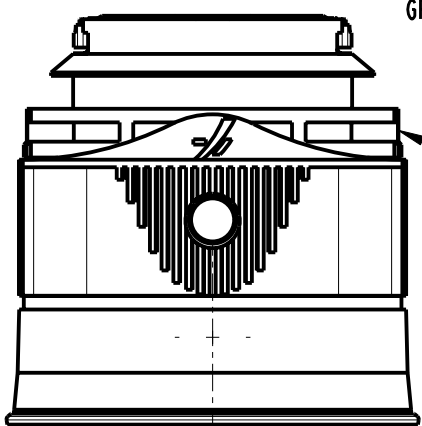
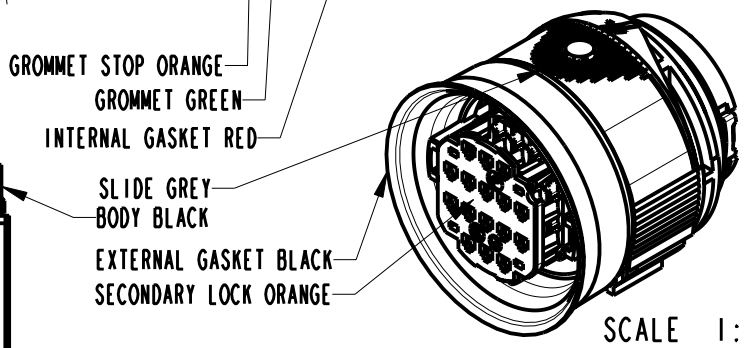
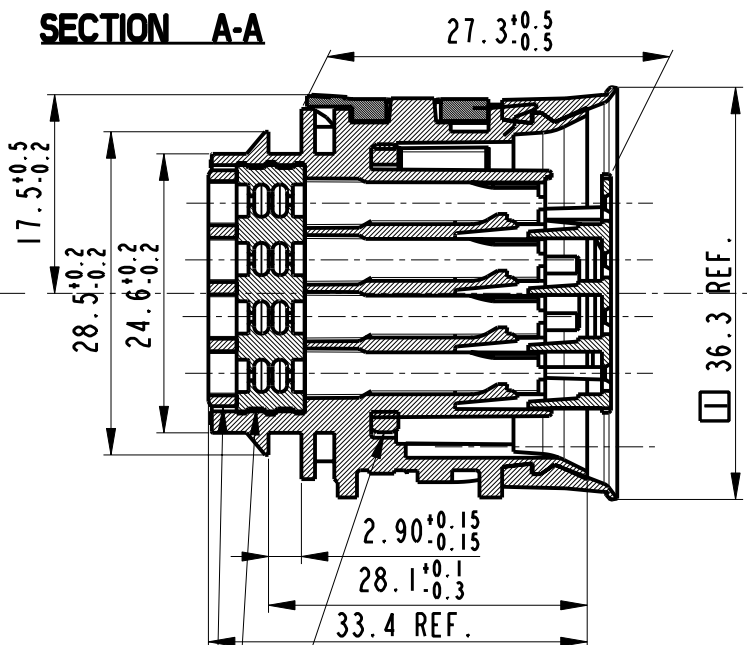


SCALE 3:2



SECTION A-A



SCALE 1:1

SICFHPE16BKS	A	10779313	-
PART NO.	PART REV.	PART NO.	PART REV.
MVL		DELPHI	

- This connector is designed for the following female contacts:
 211 CC 2S 1120 (MVL)/10738188 (DELPHI)
 211 CC 2S 1150 (MVL)/15368842 (DELPHI)
 211 CC 2S 2150 (MVL)/10725808 (DELPHI)

211 CC 2S 1160 (MVL)/10740374 (DELPHI)
 211 CC 2S 2160 (MVL)/10756749 (DELPHI)

- For use and mating operation : see spec. IPS 204

External gasket maximum clearance after mating male and female holder. ◇ CAPABILITY

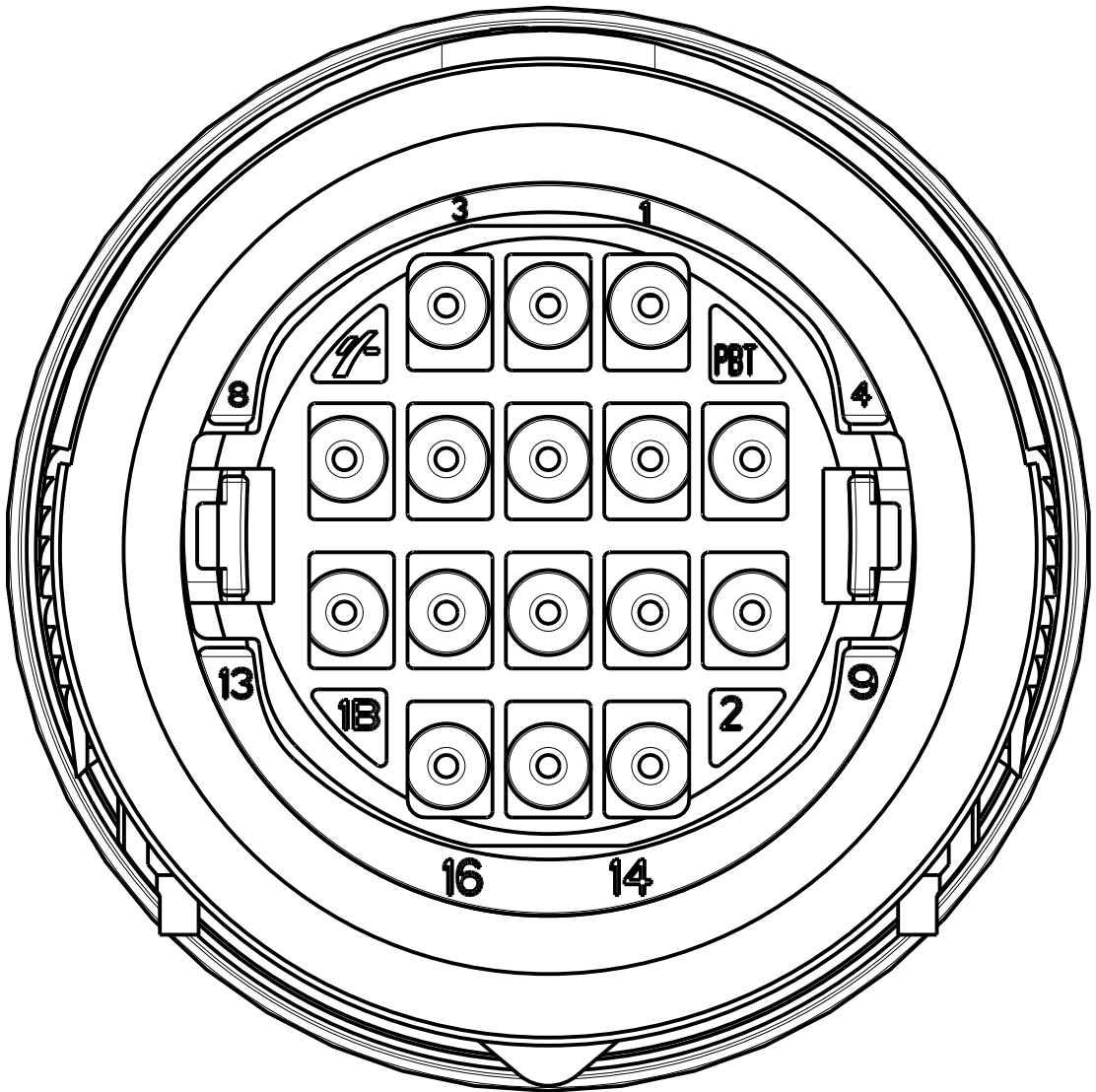
14-07742	30/10/14	A	-	DELPHI P/N ADDED	S.N	F.G	M.C
ECN 21/2001	14/09/01	03	-	RELEASED FOR PRODUCTION	R.R.	P.C.B	-
	17/07/01	02	-	UPDATED DRAWING	R.R.	P.C.B.	-
	13/03/01	01	-	UPDATED DRAWING	R.R.	P.C.B.	-

ECN-NO. NUMERO -ECN	DATE DATA	DD/ MM / YY	REVISION REVISIONE	POSITION POSIZIONE	CHANGE DESCRIPTION DESCRIZIONE MODIFICA	DRAWN BY DISEGNATORE	CHK. BY CONTROLLATO	APPR. BY APPROVATO
------------------------	--------------	-------------	-----------------------	-----------------------	--	-------------------------	------------------------	-----------------------

PRODUCT SPEC. SPEC. DI PRODOTTO	PACKAGING SPEC. SPEC. DI IMBALLAGGIO	APPLICATION SPEC. SPEC. DI APPLICAZIONE	COPYRIGHT DELPHI CORPORATION AND/OR ITS AFFILIATES. ALL RIGHTS RESERVED. REVISED THIS DRAWING IS THE PROPERTY OF DELPHI CORPORATION. THE REPRODUCTION, DISTRIBUTION AND UTILIZATION OF THIS DOCUMENT OR ITS RELATED CAD MATH DATA, AS WELL AS COMMUNICATION OF ANY CONTENT TO OTHERS, WITHOUT EXPRESS AUTHORIZATION IS PROHIBITED.					
IPS 204	SPEC.	SPEC.	QUESTO DISEGNO E' PROPRIETA' DI DELPHI CORPORATION E CONTIENE INFORMAZIONI CONFIDENZIALI. LA RIPRODUZIONE, DISTRIBUZIONE E UTILIZZAZIONE DI QUESTO DOCUMENTO O DELLE SUE RELATIVE MATEMATICHE CAD, NONCHE LA COMUNICAZIONE DI QUALSIASI CONTENUTO AD ALTRI, SENZA ESPLICITA AUTORIZZAZIONE, E' PROIBITA.					

TOLERANCES TOLLERANZE	± 0.1mm / ± 0.5'	MATERIAL : MATERIALE :	SURFACE FINISH FINITURA SUPERFICIALE		DELPHI DELPHI PACKARD ELECTRICAL/ELECTRONIC ARCHITECTURE TORINO, ITALY		CAD SYSTEM pro / eng.
COUNTERPART Nr. CONTROPARTE Nr.		COLOUR : COLORE :			DIMENSION IN MILLIMETERS DIMENSIONI IN MILLIMETRI		DWG SIZE FORMATO A4
DO NOT SCALE DRAWING DISEGNO FUORI SCALA		TOOL NO.	LOC. CODE NAZIONALITA' IT		ISO PROJECTION PROIEZIONE ISO		
DRAWN BY DISEGNATORE	DATE DATA	NAME NOME	TITLE DESCRIZIONE		DRAWING NUMBER NUMERO DISEGNO		SHEET FOGLIO
CHECKED BY CONTROLLATO	29/11/00	R. Romponi	16 WAYS SECTIONING CONNECTOR ASSY FEMALE HOLDER SEALED VERS.		FSA 309386		1 of 1 di 2
APPROVED BY APPROVATO	29/11/00	P.C. Bigollo	ESR NO. NUMERO ESR		CAT. NO. NUMERO CAT.		SCALE SCALA
			ITA 2072A		SICFHPE16BKS		---
			FILE NAME NOME FILE		FSA 309386		

DRAWING NUMBER NUMERO DISEGNO	FSA 309386	REVISION REVISIONE	A	SHEET FOGLIO	2/2	APPROVAL LEVEL LIV. DI APPROVAZIONE	0
DRAWING DISEGNO	C						



14-07742	30/10/14	A	-	DELPHI P/N ADDED	S.N	F.G	M.C		
ECN 21/2001	14/09/01	03	-	RELEASED FOR PRODUCTION	R.R.	P.C.B.	-		
	17/07/01	02	-	UPDATED DRAWING	R.R.	P.C.B.	-		
	13/03/01	01	-	UPDATED DRAWING	R.R.	P.C.B.	-		
ECN-NO. NUMERO -ECN	DATE DATA	DD / MM / YY	REVISION REVISIONE	POSITION POSIZIONE	CHANGE DESCRIPTION DESCRIZIONE MODIFICA		DRAWN BY DISEGNATORE	CHK. BY CONTROLLATO	APPR. BY APPROVATO
PRODUCT SPEC. SPEC. DI PRODOTTO	PACKAGING SPEC. SPEC. DI IMBALLAGGIO	APPLICATION SPEC. SPEC. DI APPLICAZIONE	COPYRIGHT DELPHI CORPORATION AND/OR ITS AFFILIATES. ALL RIGHTS RESERVED. REVISED THIS DRAWING IS THE PROPERTY OF DELPHI CORPORATION. THE REPRODUCTION, DISTRIBUTION AND UTILIZATION OF THIS DOCUMENT OR ITS RELATED CAD MATH DATA, AS WELL AS COMMUNICATION OF ANY CONTENT TO OTHERS, WITHOUT EXPRESS AUTHORIZATION IS PROHIBITED.					QUESTO DISEGNO E' PROPRIETA' DI DELPHI CORPORATION E CONTIENE INFORMAZIONI CONFIDENZIALI. LA RIPRODUZIONE, DISTRIBUZIONE E UTILIZZAZIONE DI QUESTO DOCUMENTO O DELLE SUE RELATIVE MATEMATICHE CAD, NONCHE LA COMUNICAZIONE DI QUALSIASI CONTENUTO AD ALTRI, SENZA ESPLICITA AUTORIZZAZIONE, E' PROIBITA	
IPS 204	SPEC.	SPEC.	SURFACE FINISH FINITURA SUPERFICIALE		DELPHI DELPHI PACKARD ELECTRICAL/ELECTRONIC ARCHITECTURE TORINO, ITALY			CAD SYSTEM pro / eng.	
TOLERANCES TOLLERANZE	± 0.1mm / ±0.5'	MATERIAL : MATERIALE :	COLOUR : COLORE :		DIMENSION IN MILLIMETERS DIMENSIONI IN MILLIMETRI		DWG SIZE FORMATO		
DO NOT SCALE DRAWING DISEGNO FUORI SCALA	TOOL NO.	LOC. CODE NAZIONALITA'	IT		ISO PROJECTION PROIEZIONE ISO		A4		
DRAWN BY DISEGNATORE	DATE DATA	NAME NOME	TITLE DESCRIZIONE			DRAWING NUMBER NUMERO DISEGNO	SHEET FOGLIO		
CHECKED BY CONTROLLATO	29/11/00	R.Romano	16 WAYS SECTIONING CONNECTOR ASSY FEMALE HOLDER SEALED VERS.			FSA 309386	2 of 2 di		
APPROVED BY APPROVATO	29/11/00	P.C. Bigollo	ESR NO. NUMERO ESR	ITA 2072A	CAT. NO. NUMERO CAT.	SICFHEP16BKS	SCALE SCALA		
			FILE NAME NOME FILE			FSA 309386	---		

X-ON Electronics

Largest Supplier of Electrical and Electronic Components

Click to view similar products for [Automotive Connectors](#) category:

Click to view products by [APTIV](#) manufacturer:

Other Similar products are found below :

[003-018-000](#) [60993906-B](#) [M902-2131](#) [M902-2161](#) [M902-2344](#) [72.330.1035.1](#) [73.353.4028.0](#) [F166900](#) [F358300-B](#) [F407400](#) [776880-1](#)
[827153-1](#) [8N1515-32-24P](#) [9-1326729-8](#) [925474-1](#) [928905-1](#) [964562-4](#) [968782-1](#) [98891-1012](#) [12004475-L](#) [12020308](#) [12041318-B](#)
[12052466](#) [12064869](#) [12015909](#) [1-21030-1](#) [12041254](#) [12041318](#) [12047946-B](#) [12110546-B](#) [12131792](#) [12084688](#) [12092346](#) [HD34-18-14PT](#)
[HD46-24-23SN-059](#) [HDB36-24-16PN-059](#) [HDP26-24-9SE-L015](#) [12185280](#) [12185550](#) [12336-12](#) [12191172-B](#) [12S](#) [13545280](#) [13577943](#)
[13681974](#) [13737722-B](#) [13830674](#) [13832576](#) [13849772](#) [13542772](#)