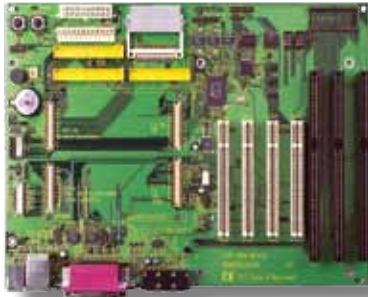


# PBE-1000

# ETX

## ETX® Evaluation Board in ATX Form Factor



### Features

- **ETX® 3.02 Compliant**
- Integrated Gigabit Ethernet
- POST Code Diagnostics
- Secondary Multi I/O (COM3, COM4)

### I/O

	4 x COM ports (COM1, 3, 4: RS-232 ports; COM2: RS-232/422/485 selectable) COM3, COM4, BIOS integrated W83977EF secondary I/O controller
<b>Serial Port</b>	
<b>Parallel Port</b>	SPP/EPP/ECP mode, shared with Floppy
<b>Digital I/O</b>	16-bit Digital Input/Output, 8-input/8-output
<b>USB Port</b>	4 x USB connectors
<b>KB/MS</b>	1 x PS/2 keyboard connector 1 x PS/2 mouse connector
<b>Expansion Bus</b>	4 x PCI slots 3 x 16-bit ISA slots
<b>Storage</b>	2 x Ultra ATA 100, supporting 4 IDE devices (Secondary IDE depends on CPU module) 1 x Floppy disk drive, shared with parallel port 1 x CFast socket
<b>Ethernet Chipset</b>	1 x RJ-45 Ethernet connector with LED
<b>Audio</b>	Mic-in/Line-in/Line-out connector

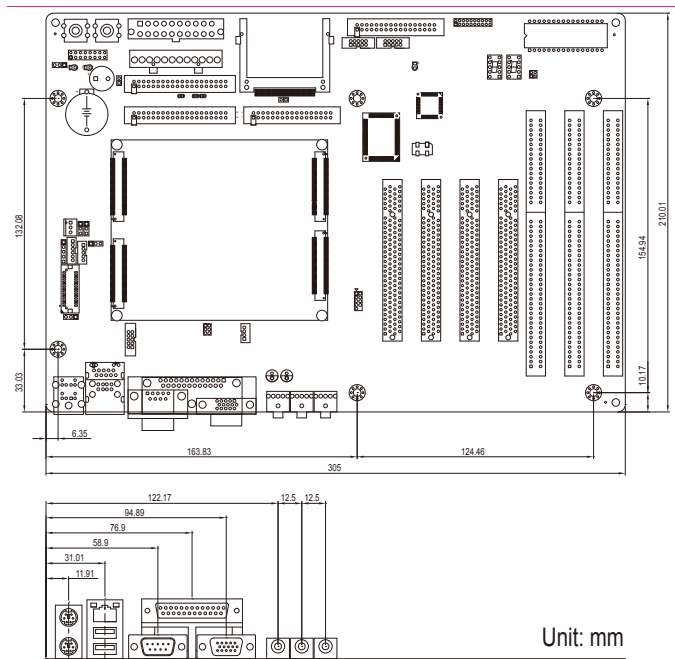
### Display

<b>Video</b>	Analog RGB, LVDS, TV-out connector (depending on CPU module)
--------------	--

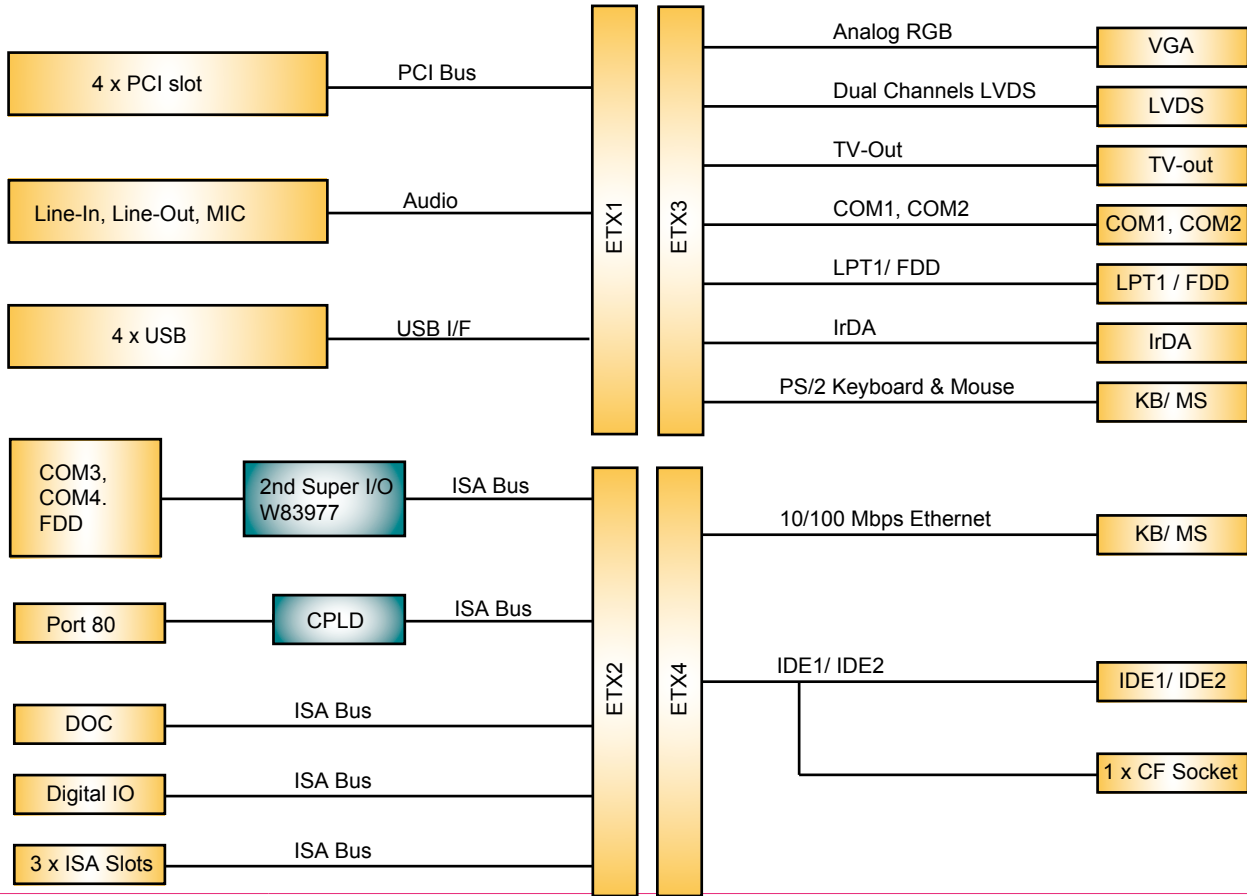
### Mechanical & Environmental

<b>Power Requirement</b>	AT Type: P9/P8 12-pin connector ATX Type: 20-pin source with 3-pin ATX control
<b>Operating Temp.</b>	0 ~ 60°C (32 ~ 140°F)
<b>Operating Humidity</b>	10 ~ 95% @ 60°C (non-condensing)
<b>Dimensions (L x W)</b>	305 x 210 mm (12" x 8.27")

### Dimensions



## Block Diagram



## Ordering Information

**PBE-1000 R2.1**

ATX form factor ETX<sup>®</sup> evaluation board with POST, secondary I/O and flash disk socket

## Optional Accessories

**CBK-05-1000-00**

- Cable kit
- 1 x FDD cable
  - 3 x COM port cables
  - 1 x USB cable
  - 2 x IDE cables
  - 1 x TV-out cable

## X-ON Electronics

Largest Supplier of Electrical and Electronic Components

*Click to view similar products for [Computer Cables](#) category:*

*Click to view products by [Arbor Technology](#) manufacturer:*

Other Similar products are found below :

[68809-0004](#) [8F36-AAA105-1.00](#) [IB63](#) [CB-716EB-RS](#) [CB-716P8P9-RS](#) [CBK-11-290K-00](#) [ACL-10550](#) [ACL-10568-2](#) [ACL-10568-5](#)  
[427522400-3](#) [32102-021500-200-RS](#) [426091300-3](#) [48000023](#) [10114976-P015002LF](#) [10111838-S444ALF](#) [88761-6101](#) [NT631C-CN321-EU](#)  
[ACL-10568NF-1](#) [MIKROE-2092](#) [PCL-101100R-2E](#) [1700009405](#) [PS/2 Cable](#) [NT31C-CN323-EU](#) [FWAX-PK1-51](#) [PCL-10168H-1E](#) [68801-](#)  
[1905](#) [111068-1015](#) [100436-1107](#) [68801-0630](#) [68801-3612](#) [68801-3618](#) [205058-1002](#) [PS2NK](#) [SATA cable](#) [96021-0000-00-0](#) [FAK-](#)  
[SMZSMZ 5M](#) [FAK-SMZSMZ-3M](#) [ACC-500-200-R](#) [iW-C40-PCIe08-C1](#) [1700001531](#) [96048-0000-00-0](#) [SATA III cable 30cm, down/straight](#)  
[cab-Pico-ITX-LVDS](#) [PCL-101100SB-2E](#) [AXXSTCBLQAT](#) [NT31C-KBA05](#) [PCL-101100M-2E](#) [A2U4PSWCXCXK1](#) [2 port SATA to 5](#)  
[pin,L=200mm](#) [P782-006-DH](#)