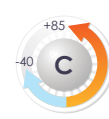
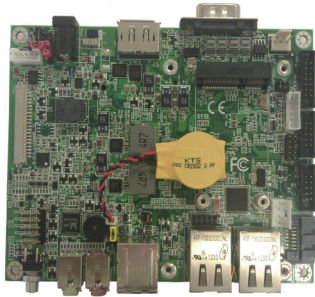


PBN-9007



COM Express Type 10 Carrier Board



Features

- **COM Express Type 10 Carrier Board**
- LVDS, and Display Port
- Soldered Onboard Touch Screen Controller
- **Wide Range Operating Temp.: -40 ~ 85°C**

I/O

Serial Port	2 x COM Ports (1 x COM with DB-9, 1 x RS-232/422/485 selectable)
USB Port	6 x USB 2.0 ports
Digital I/O	8-bit programmable Digital Input/Output
AUDIO/ Interface	HD CODEC Realtek ALC662, MIC/ Line-out phone jack
Touch Panel	1 x Touch
Expansion Bus	1 x Mini-Card socket 1 x SIM socket
Ethernet Chipset	1 x Intel® 82583V PCIe Gigabit Ethernet controller 1 x GbE by CPU module

Display

Graphics Chipset	GPU: Depending on CPU module
Graphics Interface	1 x LVDS connector 1 x Display Port

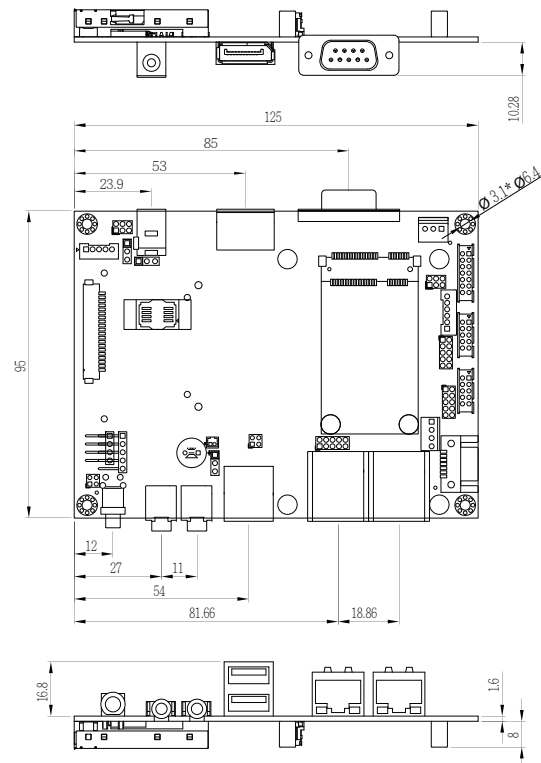
Touch Screen Interface

Mode	5-pin header wire
-------------	-------------------

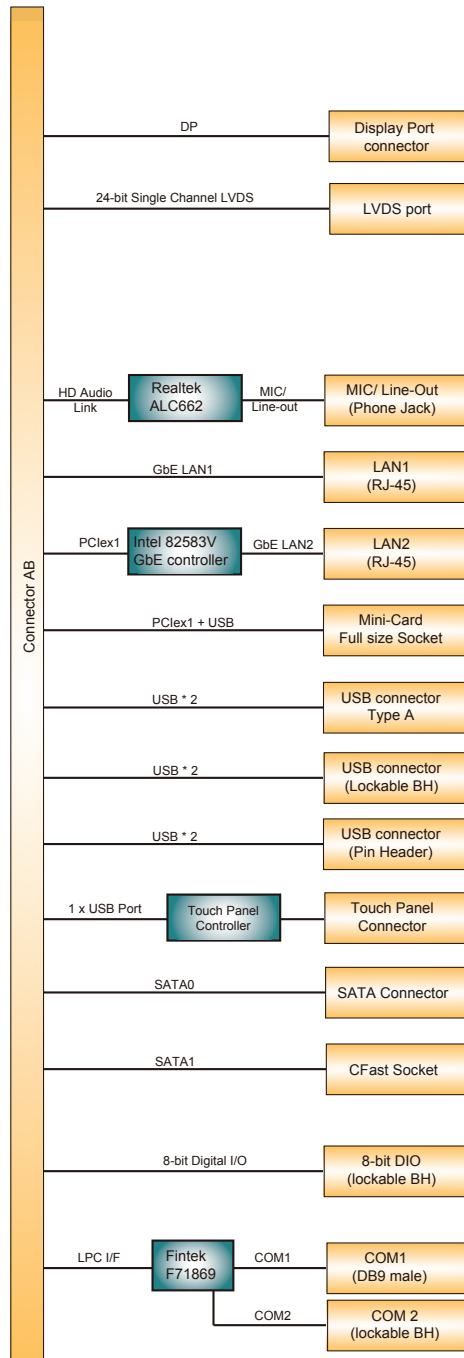
Mechanical & Environmental

Power Requirement	+12V DC
Power Consumption	1.67A@+12V w/ EmNANO-i250D (Typical)
Operating Temp.	-40 ~ 85°C (-40 ~ 185°F)
Operating Humidity	0 ~ 90% (non-condensing)
Dimension (L x W)	125 x 95 mm (4.9" x 3.7")

Dimensions



Block Diagram



Ordering Information

PBN-9007	COM Express Type 10 Carrier Board
CBK-05-9007-00	Cable kit 1 x SATA cable 1 x SATA Power cable 1 x COM port cable 1 x USB cable 1 x PS/2 cable

X-ON Electronics

Largest Supplier of Electrical and Electronic Components

Click to view similar products for [Computer Cables](#) category:

Click to view products by [Arbor Technology](#) manufacturer:

Other Similar products are found below :

[68809-0004](#) [8F36-AAA105-1.00](#) [IB63](#) [CB-716EB-RS](#) [CB-716P8P9-RS](#) [CBK-11-290K-00](#) [ACL-10550](#) [ACL-10568-2](#) [ACL-10568-5](#)
[427522400-3](#) [32102-021500-200-RS](#) [426091300-3](#) [48000023](#) [10114976-P015002LF](#) [10111838-S444ALF](#) [88761-6101](#) [NT631C-CN321-EU](#)
[ACL-10568NF-1](#) [MIKROE-2092](#) [PCL-101100R-2E](#) [1700009405](#) [PS/2 Cable](#) [NT31C-CN323-EU](#) [FWAX-PK1-51](#) [PCL-10168H-1E](#) [68801-](#)
[1905](#) [111068-1015](#) [100436-1107](#) [68801-0630](#) [68801-3612](#) [68801-3618](#) [205058-1002](#) [PS2NK](#) [SATA cable](#) [96021-0000-00-0](#) [FAK-](#)
[SMZSMZ 5M](#) [FAK-SMZSMZ-3M](#) [ACC-500-200-R](#) [iW-C40-PCIe08-C1](#) [1700001531](#) [96048-0000-00-0](#) [SATA III cable 30cm, down/straight](#)
[cab-Pico-ITX-LVDS](#) [PCL-101100SB-2E](#) [AXXSTCBLQAT](#) [NT31C-KBA05](#) [PCL-101100M-2E](#) [A2U4PSWCXCXK1](#) [2 port SATA to 5](#)
[pin,L=200mm](#) [P782-006-DH](#)