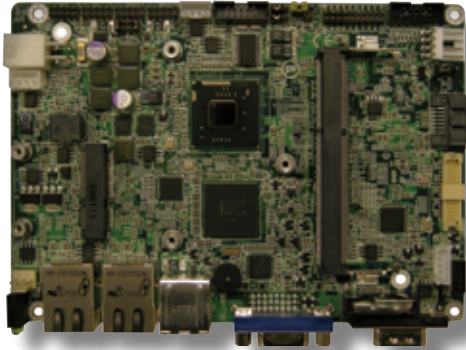


EmCORE-i2501

3.5" Intel® Atom™ N2600/ D2550 Compact Board



Features

- Soldered Onboard Intel® Atom™ N2600 or D2550 Processor
- Single Channel 18/24-bit LVDS and DVI-I Port Support
- Support RS-485 Auto-flow Control
- **Extended Operating Temp.: -20 ~ 70°C**

System

CPU	Soldered onboard Intel® Atom™ N2600 at 1.6GHz or D2550 at 1.86GHz processor
Memory	1 x 204-pin DDR3 SO-DIMM socket, supporting 1066MHz SDRAM up to 4GB (D2550)/ 2GB (N2600)
Chipset	Intel® PCH NM10
BIOS	AMI UEFI BIOS
Watchdog Timer	1~255 levels reset

I/O

Super IO Chipset	Fintek F81866D
Serial Port	2 x COM ports (1 x RS-232 port, 1 x RS-232/422/485 port selectable)
USB Port	6 x USB 2.0 ports
Digital I/O	8-bit programmable Digital Input/Output
Expansion Bus	1 x Mini-card socket
Storage	1 x Serial ATA port with 300MB/s HDD transfer rate 1 x CFast socket or soldered onboard 8GB NANDrive (alternatively)
Ethernet Chipset	2 x Intel® 82583V PCIe GbE controllers
Audio Interface	Realtek ALC662 5.1 Channel HD Audio CODEC, Mic-in/ Line-in/ Line-out

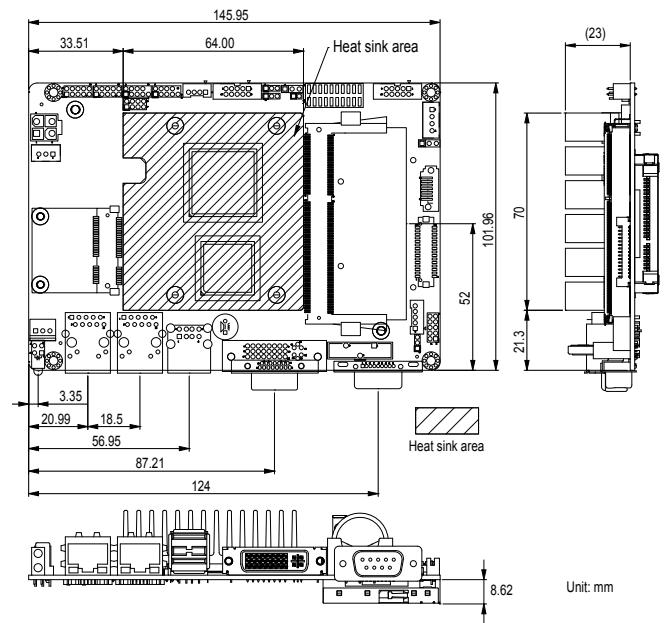
Display

Graphics Chipset	Integrated Intel® Graphics Media Accelerator 3650/ 3600
Graphics Interface	Analog RGB supports resolution up to 1920x1200@60Hz DVI-I: supports Analog RGB up to 1920 x 1200 @60Hz or DVI up to 1920 x 1200 @60Hz Single Channel: - 18-bit LVDS for EmCORE-i2501-N26 - 24-bit LVDS for EmCORE-i2501-D25 Support Dual Independent Displays

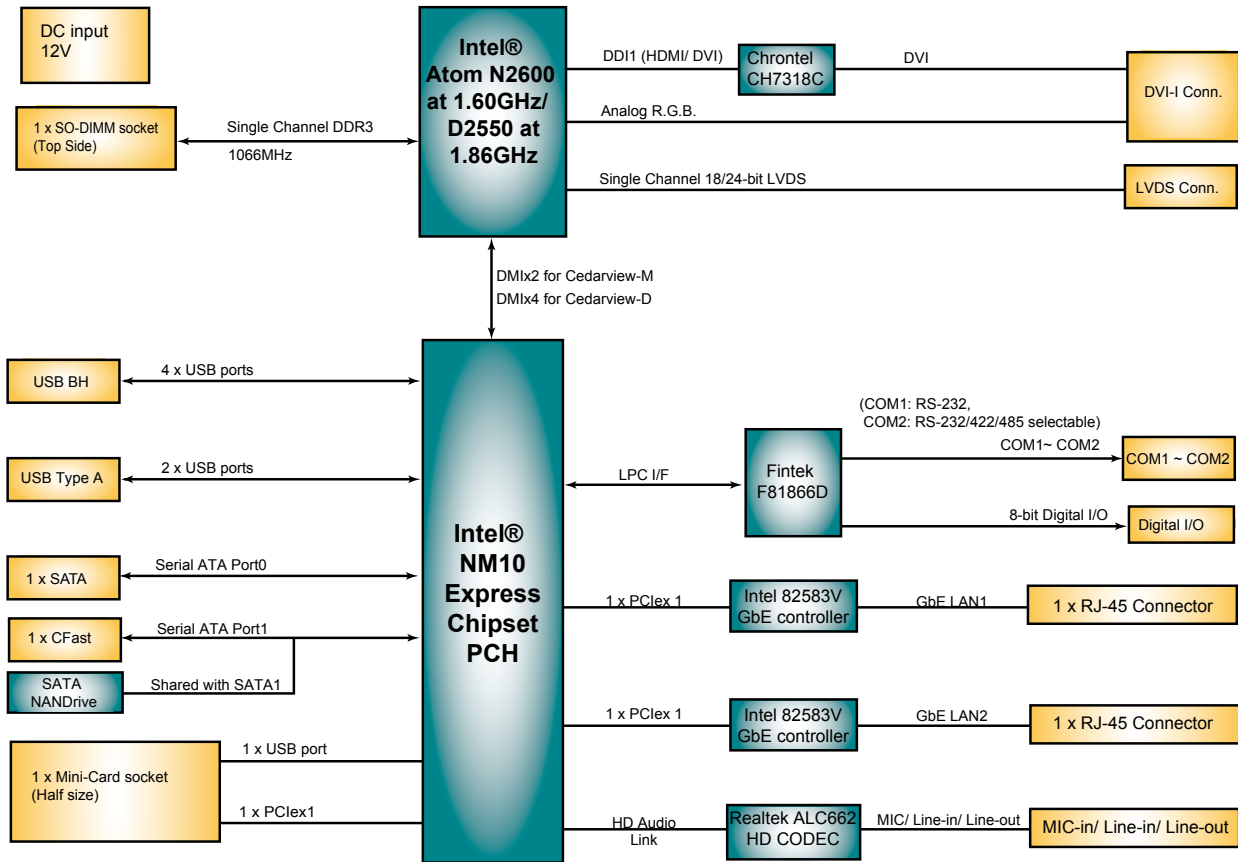
Mechanical & Environmental

Power Requirement	+12V DC
Power Consumption	1.26A@+12V w/ N2600 (Typical) 1.42A@+12V w/ D2550 (Typical)
Operating Temp.	-20 ~ 70°C (-4 ~ 158°F)
Operating Humidity	10 ~ 95% @ 70°C (non-condensing)
Dimensions (L x W)	146 x 102 mm (5.7" x 4.0")

Dimensions



Block Diagram



Ordering Information

EmCORE-i2501-N26	Intel® Atom™ N2600 3.5" Compact Board with CFast socket
EmCORE-i2501D-N26 (BTO)	Intel® Atom™ N2600 3.5" Compact Board with 8GB NANDrive
EmCORE-i2501-D25	Intel® Atom™ D2550 3.5" Compact Board with CFast socket
EmCORE-i2501D-D25 (BTO)	Intel® Atom™ D2550 3.5" Compact Board with 8GB NANDrive

Optional Accessories

CBK-06-2501-00	Cable Kit
	• 1 x COM port cable
	• 1 x audio cable
	• 2 x USB cables
	• 1 x SATA cable
	• 1 x SATA power cable

X-ON Electronics

Largest Supplier of Electrical and Electronic Components

Click to view similar products for [Computer Cables](#) category:

Click to view products by [Arbor Technology](#) manufacturer:

Other Similar products are found below :

[68809-0004](#) [8F36-AAA105-1.00](#) [IB63](#) [CB-716EB-RS](#) [CB-716P8P9-RS](#) [CBK-11-290K-00](#) [ACL-10550](#) [ACL-10568-2](#) [ACL-10568-5](#)
[427522400-3](#) [32102-021500-200-RS](#) [426091300-3](#) [48000023](#) [10114976-P015002LF](#) [10111838-S444ALF](#) [88761-6101](#) [NT631C-CN321-EU](#)
[ACL-10568NF-1](#) [MIKROE-2092](#) [PCL-101100R-2E](#) [1700009405](#) [PS/2 Cable](#) [NT31C-CN323-EU](#) [PCL-10168H-1E](#) [68801-1905](#) [111068-](#)
[1015](#) [100436-1107](#) [68801-0630](#) [68801-3612](#) [68801-3618](#) [205058-1002](#) [PS2NK](#) [SATA cable](#) [96021-0000-00-0](#) [FAK-SMZSMZ 5M](#) [FAK-](#)
[SMZSMZ-3M](#) [ACC-500-200-R](#) [iW-C40-PCIe08-C1](#) [1700001531](#) [96048-0000-00-0](#) [96054-0000-00-0](#) [SATA III cable 30cm, down/straight](#)
[cab-Pico-ITX-LVDS](#) [PCL-101100SB-2E](#) [AXXSTCBLQAT](#) [NT31C-KBA05](#) [PCL-101100M-2E](#) [A2U4PSWCXCXK1](#) [2 port SATA to 5](#)
[pin,L=200mm](#) [P782-006-DH](#)