

# PBQ-3000



## Qseven™ Carrier Board in EPIC Form Factor



### Features

- **Qseven™ Carrier Board**
- Dual Gigabit Ethernet Ports
- Integrated Gigabit Ethernet
- Single Channel 24-bit LVDS/ Dual Channels 24-bit LVDS
- Analog RGB, DVI
- Wide Range DC Power Input: 10V ~ 30V

### I/O

<b>Serial Port</b>	4 x COM ports (3 x RS-232 port, 1 x RS-232/422/485 selectable port)
<b>USB Port</b>	6 x USB 2.0 ports
<b>Digital IO</b>	8-bit programmable Digital Input/ Output
<b>Expansion Bus</b>	1 x Mini-card slot LPC (Low Pin Count) interface
<b>Storage</b>	2 x Serial ATA ports with 300MB/s HDD transfer rate
<b>Ethernet Chipset</b>	1 x Intel® 82583V PCIe GbE controller 1 x GbE by Qseven™ CPU module
<b>Audio Interface</b>	Realtek ALC662 CODEC, MIC/ Line-out phone jack

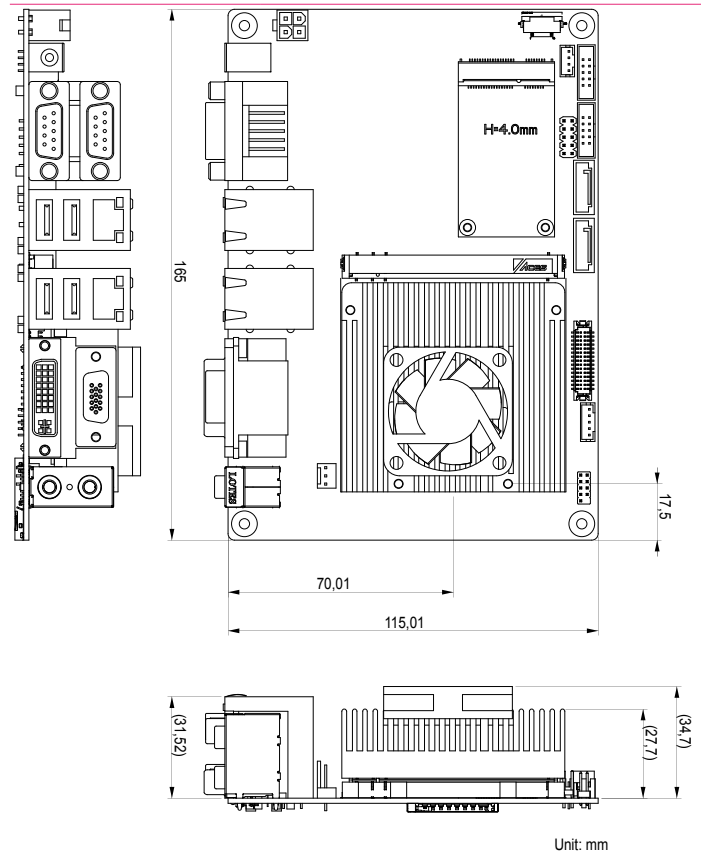
### Display

<b>Graphics Chipset</b>	GPU: depending on Qseven CPU module
<b>Graphics Interface</b>	1 x Single Channel 24-bit LVDS (default) 1 x Dual Channels 24-bit LVDS (by DP to LVDS bridge) 1 x DDI port (only for EmQ-i2506, optional) 1 x DVI-D connector, supporting resolution up to 1920 x 1200 1 x Analog RGB (by reserved pin from Qseven GF/ EmQ-i2506 only, optional)

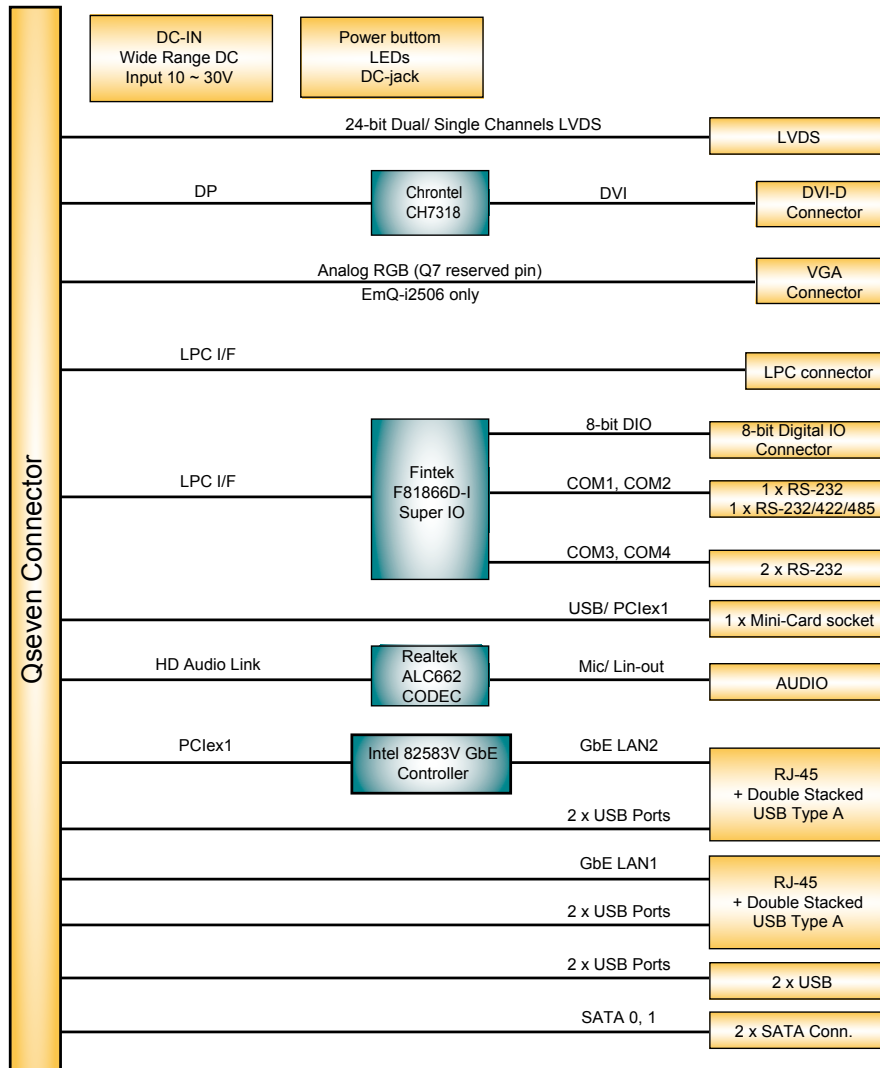
### Mechanical & Environmental

<b>Power Requirement</b>	4-pin Aux. ATX power connector for wide range DC power input 10V ~ 30V
<b>Power Consumption</b>	1.26A@+12V w/ EmQ-i2506 (Typical)
<b>Operating Temp.</b>	-20 ~ 70°C (-4 ~ 158°F)
<b>Operating Humidity</b>	10 ~ 95% @ 70°C (non-condensing)
<b>Dimension (L x W)</b>	165 mm x 115 mm (6.5" x 4.5")

### Dimensions



## Block Diagram



## Ordering Information

**PBQ-3000**

Qseven™ carrier board in EPIC form factor

## Optional Accessories

**CBK-06-3000-00**

- Cable kit
- 1 x USB cable
  - 1 x USB2 cable
  - 2 x Serial port cables
  - 1 x SATA cable
  - 1 x SATA power cable

## X-ON Electronics

Largest Supplier of Electrical and Electronic Components

*Click to view similar products for [Computer Cables](#) category:*

*Click to view products by [Arbor Technology](#) manufacturer:*

Other Similar products are found below :

[68809-0004](#) [8F36-AAA105-1.00](#) [IB63](#) [CB-716EB-RS](#) [CB-716P8P9-RS](#) [CBK-11-290K-00](#) [ACL-10550](#) [ACL-10568-2](#) [ACL-10568-5](#)  
[427522400-3](#) [32102-021500-200-RS](#) [426091300-3](#) [48000023](#) [10114976-P015002LF](#) [10111838-S444ALF](#) [88761-6101](#) [NT631C-CN321-EU](#)  
[ACL-10568NF-1](#) [MIKROE-2092](#) [PCL-101100R-2E](#) [1700009405](#) [PS/2 Cable](#) [NT31C-CN323-EU](#) [FWAX-PK1-51](#) [PCL-10168H-1E](#) [68801-](#)  
[1905](#) [111068-1015](#) [100436-1107](#) [68801-0630](#) [68801-3612](#) [68801-3618](#) [205058-1002](#) [PS2NK](#) [SATA cable](#) [96021-0000-00-0](#) [FAK-](#)  
[SMZSMZ 5M](#) [FAK-SMZSMZ-3M](#) [ACC-500-200-R](#) [iW-C40-PCIe08-C1](#) [1700001531](#) [96048-0000-00-0](#) [SATA III cable 30cm, down/straight](#)  
[cab-Pico-ITX-LVDS](#) [PCL-101100SB-2E](#) [AXXSTCBLQAT](#) [NT31C-KBA05](#) [PCL-101100M-2E](#) [A2U4PSWCXCXK1](#) [2 port SATA to 5](#)  
[pin,L=200mm](#) [P782-006-DH](#)