

ITX-i45M2

Intel® Socket P Core™ 2 Duo Embedded Mini-ITX Motherboard



Features

- Support Intel® Socket P Mobile Processors
- Dual Gigabit Ethernet Ports
- Various Video Interface for Vision Applications
- Support Dual Independent Displays
- Highly Integrated Communication Interfaces
- **Extended Operating Temp.: -20 ~ 70°C**

System

CPU	Intel® Socket P Core™ 2 Duo/Celeron® M processors
Memory	2 x 240-pin DDR2 DIMM sockets, supporting 667/800MHz SDRAM up to 4GB
Chipset	Intel® GM45 + ICH9M
BIOS	AMI Flash BIOS
Watchdog Timer	1~255 levels reset

I/O

I/O Chipset	Winbond W83627HG
Serial Port	1 x RS-232 port 1 x RS-232/422/485 selectable port
Parallel Port	SPP/EPP/ECP mode selectable
USB Port	8 x USB 2.0 ports
KB/MS	2 x PS/2 interfaces for keyboard and mouse (by 6-pin wafer)
Digital I/O	8-bit programmable Digital Input/Output
Expansion Bus	1 x PCI slot 1 x Mini PCI socket
Storage	4 x Serial ATA ports with 300MB/s HDD transfer rate
Ethernet Chipset	2 x Realtek RTL8111 PCIe GbE controllers
Audio Interface	Realtek ALC888 HD Audio Codec, Mic-in/Line-in/Line-out (w/o Line-in by default)

Display

Graphics Chipset	Integrated Intel® Graphics Media Accelerator 4500MHD
Graphics Interface	Analog RGB supports resolution up to 1920 x 1440 LCD supports Dual Channels 24-bit LVDS, resolution up to 1600 x 1200 DVI supports 12-bit, resolution up to 1600 x 1200 TV-out supports NTSC/PAL, resolution up to 1024 x 768 Dual Independent Displays, resolution up to 1600 x 1200

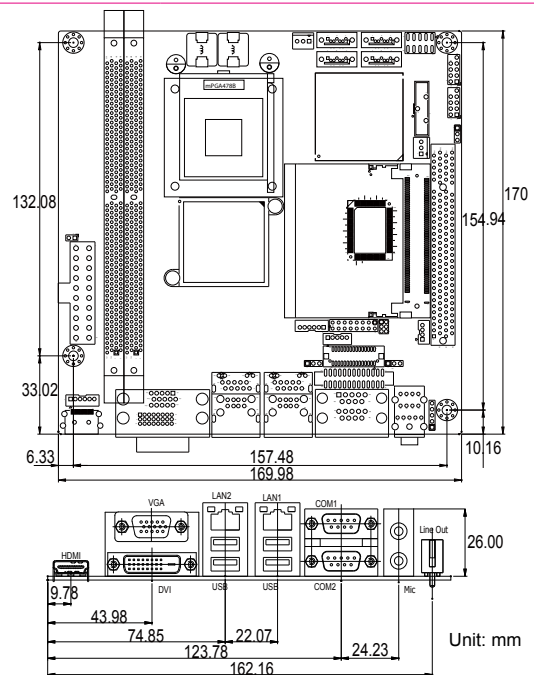
Recommended CPU List:

T9400/P8400 Intel® Core™ 2 Duo Processor
T3100/575 Celeron® M processor

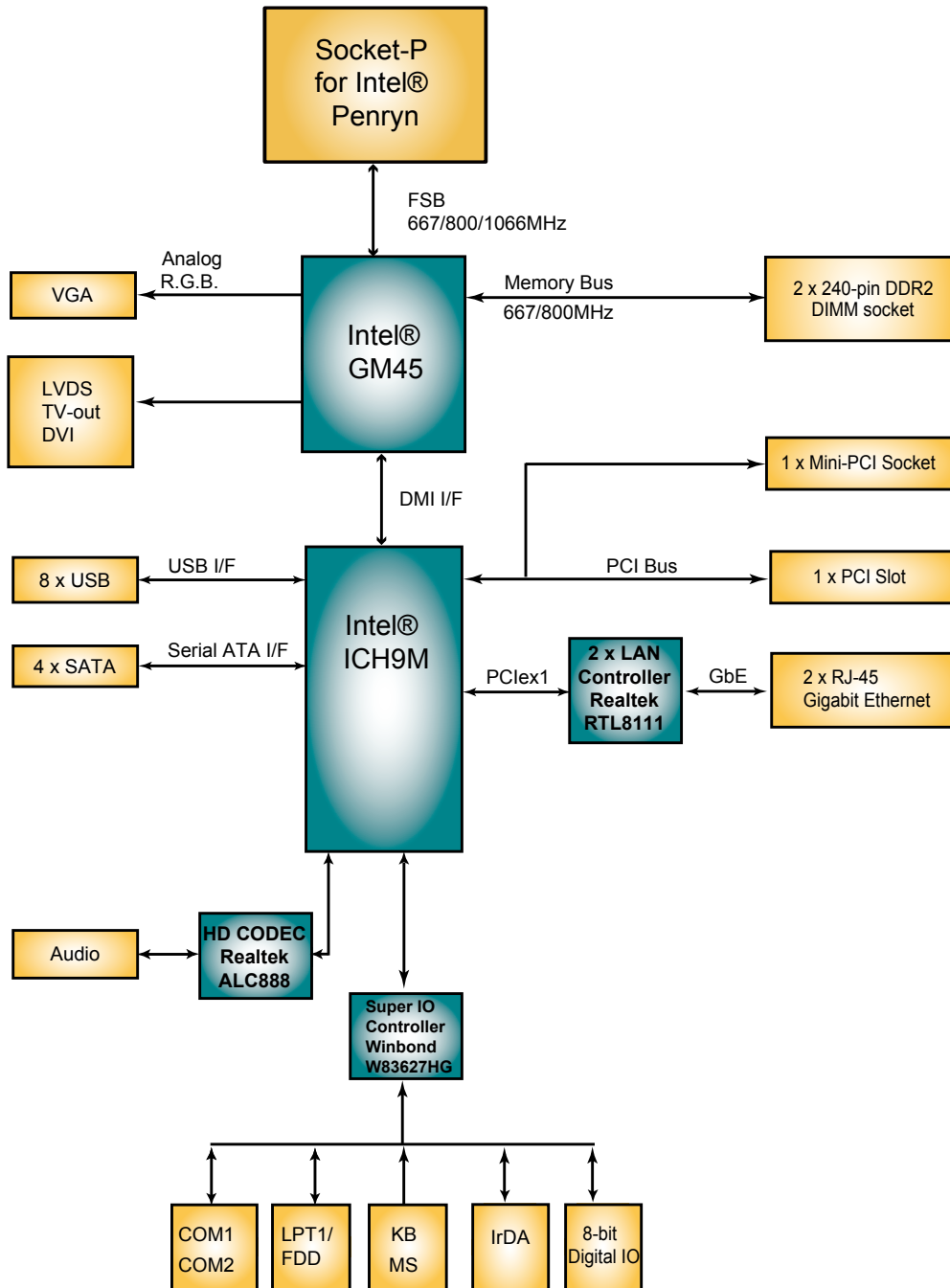
Mechanical & Environmental

Power Connector	20-pin ATX connector
Power Consumption	4.72A@+5V, 2.31A@+3.3V, 0.15A@+12.1V with Intel® Core™ 2 Duo T9400 2.53GHz (Typical)
Operating Temp.	-20~70°C (-4~ 158°F)
Operating Humidity	10 ~ 95% @ 70°C (non-condensing)
Dimensions (L x W)	170 x 170 mm (6.7" x 6.7")

Dimensions



Block Diagram



Ordering Information

ITX-i45M2

Intel® Socket P Core™ 2 Duo embedded Mini-ITX motherboard

Optional Accessories

CBK-06-4500-00

- Cable kit
- 1 x USB cable
 - 1 x TV-out cable
 - 1 x LPT to FDD cable
 - 1 x LPT Cable
 - 1 x KB & MS cable
 - 1 x SATA cable

X-ON Electronics

Largest Supplier of Electrical and Electronic Components

Click to view similar products for [Computer Cables](#) category:

Click to view products by [Arbor Technology](#) manufacturer:

Other Similar products are found below :

[68809-0004](#) [8F36-AAA105-1.00](#) [IB63](#) [CB-716EB-RS](#) [CB-716P8P9-RS](#) [CBK-11-290K-00](#) [ACL-10550](#) [ACL-10568-2](#) [ACL-10568-5](#)
[427522400-3](#) [32102-021500-200-RS](#) [426091300-3](#) [48000023](#) [10114976-P015002LF](#) [10111838-S444ALF](#) [88761-6101](#) [NT631C-CN321-EU](#)
[ACL-10568NF-1](#) [MIKROE-2092](#) [PCL-101100R-2E](#) [1700009405](#) [PS/2 Cable](#) [NT31C-CN323-EU](#) [PCL-10168H-1E](#) [68801-1905](#) [111068-](#)
[1015](#) [100436-1107](#) [68801-0630](#) [68801-3612](#) [68801-3618](#) [205058-1002](#) [PS2NK](#) [SATA cable](#) [96021-0000-00-0](#) [FAK-SMZSMZ 5M](#) [FAK-](#)
[SMZSMZ-3M](#) [ACC-500-200-R](#) [iW-C40-PCIe08-C1](#) [1700001531](#) [96048-0000-00-0](#) [96054-0000-00-0](#) [SATA III cable 30cm, down/straight](#)
[cab-Pico-ITX-LVDS](#) [PCL-101100SB-2E](#) [AXXSTCBLQAT](#) [NT31C-KBA05](#) [PCL-101100M-2E](#) [A2U4PSWCXCXK1](#) [2 port SATA to 5](#)
[pin,L=200mm](#) [P782-006-DH](#)