

EmCORE-i2702

Intel® Atom™ N270 3.5" Compact Board



Features

- **Fanless Design**
- Soldered Onboard Intel® Atom™ N270 Processor
- Dual Gigabit Ethernet Ports
- Dual Channels 18-bit LVDS, TV-out, and Analog RGB
- Dual Independent Displays
- Support Optional Onboard Memory

System

CPU	Intel® Atom™ N270 1.6GHz processor with 533MHz FSB
Memory	1 x 200-pin DDR2 SO-DIMM socket, supporting 533MHz SDRAM up to 2GB (optional soldered onboard 512MB DDR2 SDRAM, upgradable to 1GB SDRAM)
Chipset	Intel® 945GSE + ICH7M
BIOS	Phoenix-Award PnP Flash BIOS
Watchdog Timer	1~255 levels reset

I/O

Serial Port	2 x COM ports (1 x RS-232, 1 x RS-232/422/485 selectable)
Parallel Port	SPP/EPP/ECP mode selectable
USB Port	4 x USB 2.0 ports
KB/MS	6-pin Mini-DIN connector for keyboard and mouse (PS/2 standard via Y-cable)
Digital I/O	8-bit Digital Input/Output (4-in/4-out)
Expansion Bus	1 x Mini PCI socket
	1 x Ultra ATA, supporting 2 IDE devices
Storage	2 x Serial ATA ports with 150MB/s HDD transfer rate
	1 x CompactFlash Type II socket

Ethernet Chipset	2 x Realtek RTL8111 PCIe GbE controllers
Audio Interface	Realtek ALC655 6 Channel AC97 Audio Codec, Mic-in/Line-in/Line-out

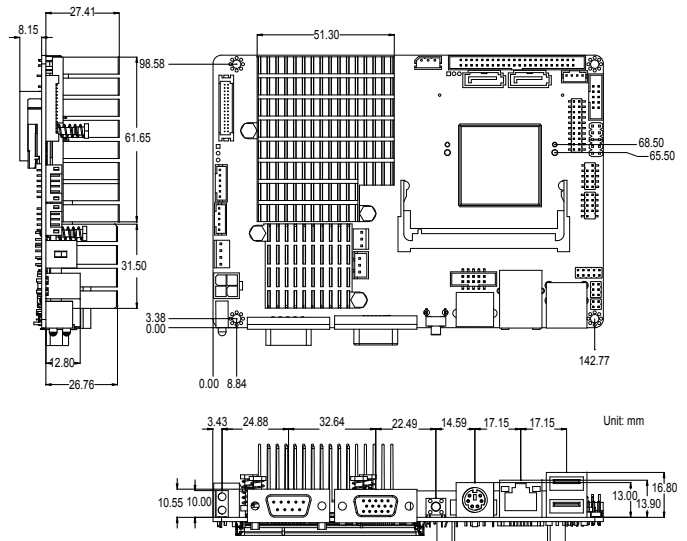
Display

Graphics Chipset	Integrated Intel® Graphics Media Accelerator 950
	Analog RGB: resolution up to 2048 x 1536 @60Hz
	LCD: Dual Channels 18-bit LVDS, resolution up to 1600 x 1200
Graphics Interface	TV-out: NTSC/PAL, resolution up to 1024 x 768
	Support Dual Independent Displays

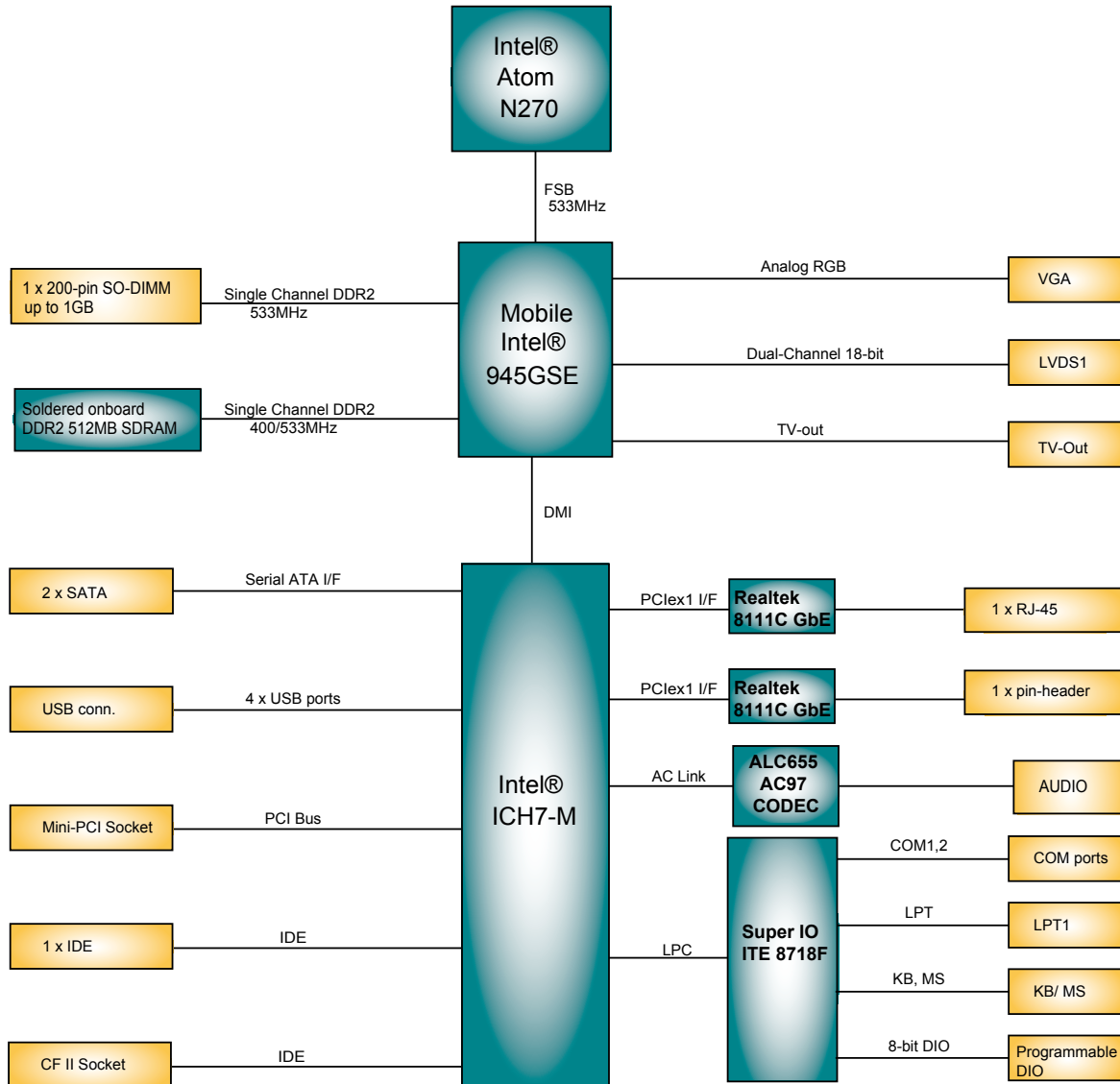
Mechanical & Environmental

Power Requirement	ATX +12V input
Power Consumption	0.94A@+12V (Typical)
Operating Temp.	0 ~ 60°C (32 ~ 140°F)
Operating Humidity	10 ~ 95% @ 60°C (non-condensing)
Dimension (L x W)	146 x 102 mm (5.7" x 4")

Dimensions



Block Diagram



Ordering Information

EmCORE-i2702

Intel® Atom™ N270 1.6GHz 3.5" Compact Board

Optional Accessories

CBK-08-2702-00

Cable kit

- 1 x USB cable
- 1 x Ethernet cable
- 1 x audio cable
- 1 x COM cable
- 1 x IDE cable
- 1 x LPT cable
- 1 x KB/MS Y-cable
- 1 x SATA cable

X-ON Electronics

Largest Supplier of Electrical and Electronic Components

Click to view similar products for [Computer Cables](#) category:

Click to view products by [Arbor Technology](#) manufacturer:

Other Similar products are found below :

[68809-0004](#) [8F36-AAA105-1.00](#) [IB63](#) [CB-716EB-RS](#) [CB-716P8P9-RS](#) [CBK-11-290K-00](#) [ACL-10550](#) [ACL-10568-2](#) [ACL-10568-5](#)
[427522400-3](#) [32102-021500-200-RS](#) [426091300-3](#) [48000023](#) [10114976-P015002LF](#) [10111838-S444ALF](#) [88761-6101](#) [NT631C-CN321-EU](#)
[ACL-10568NF-1](#) [MIKROE-2092](#) [PCL-101100R-2E](#) [1700009405](#) [PS/2 Cable](#) [NT31C-CN323-EU](#) [FWAX-PK1-51](#) [PCL-10168H-1E](#) [68801-](#)
[1905](#) [111068-1015](#) [100436-1107](#) [68801-0630](#) [68801-3612](#) [68801-3618](#) [205058-1002](#) [PS2NK](#) [SATA cable](#) [96021-0000-00-0](#) [FAK-](#)
[SMZSMZ 5M](#) [FAK-SMZSMZ-3M](#) [ACC-500-200-R](#) [iW-C40-PCIe08-C1](#) [1700001531](#) [96048-0000-00-0](#) [SATA III cable 30cm, down/straight](#)
[cab-Pico-ITX-LVDS](#) [PCL-101100SB-2E](#) [AXXSTCBLQAT](#) [NT31C-KBA05](#) [PCL-101100M-2E](#) [A2U4PSWCXCXK1](#) [2 port SATA to 5](#)
[pin,L=200mm](#) [P782-006-DH](#)