

EmCORE-i9651

Intel® Core™ 2 Duo 3.5" Compact Board



Features

- Support Intel® Socket P Mobile Processors
- Dual Gigabit Ethernet Ports
- Dual Channels 18/24-bit LVDS, and Analog RGB
- Support Dual Independent Displays
- **Extended Operating Temp.: -20 ~ 70°C**

System

CPU	Intel® Core™ 2 Duo processor, supporting FSB up to 800MHz Intel® Celeron® M processor with 533/667MHz FSB
Memory	1 x 200-pin DDR2 SO-DIMM socket, supporting 533/667MHz SDRAM up to 2GB
Chipset	Intel® GME965 + ICH8M
BIOS	AMI PnP Flash BIOS
Watchdog Timer	1~255 levels reset

I/O

I/O Chip	Winbond W83627HG
Serial Port	2 x COM ports (1 x RS-232, 1 x RS-232/422/485 selectable)
Parallel Port	SPP/EPP/ECP mode selectable
USB Port	6 x USB 2.0 ports
KB/MS	1 x 6-pin Mini-DIN for keyboard and mouse (PS/2 standard via Y-cable)
Digital I/O	8-bit programmable Digital Input/Output
Expansion Bus	1 x Mini PCI socket

Storage	1 x Ultra ATA, supporting 2 IDE devices 2 x Serial ATA ports with 300MB/s HDD transfer rate 1 x CompactFlash Type II socket 1 x Floppy disk drive, shared with parallel port
----------------	---

Ethernet Chipset	2 x Realtek RTL8111 PCIe GbE controllers
Audio Interface	Realtek ALC888 7.1 Channel HD Audio Codec, Mic-in/Line-in/Line-out

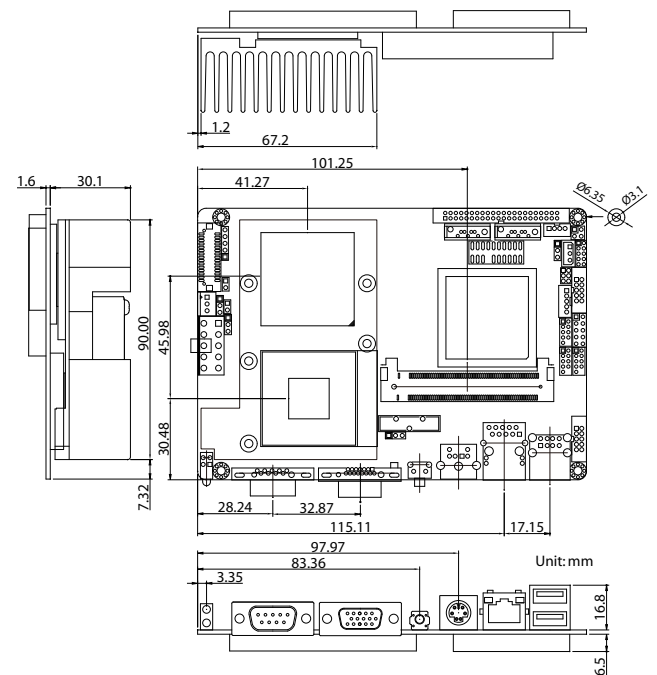
Display

Graphics Chipset	Integrated Intel® Graphics Media Accelerator X3100 Analog RGB supports resolution up to 2048 x 1536 @60Hz
Graphics Interface	LCD: Dual Channels 24-bit LVDS Support Dual Independent Displays

Mechanical & Environmental

Power Connector	2 x 5-pin ATX power connector
Power Consumption	0.37A@+12V, 6.66A@+5V, 2.37A@+3.3V (Typical)
Operating Temp.	-20 ~ 70°C (-4 ~ 158°F)
Operating Humidity	10 ~ 95% @ 70°C (non-condensing)
Dimensions (L x W)	146 x 102 mm (5.7" x 4")

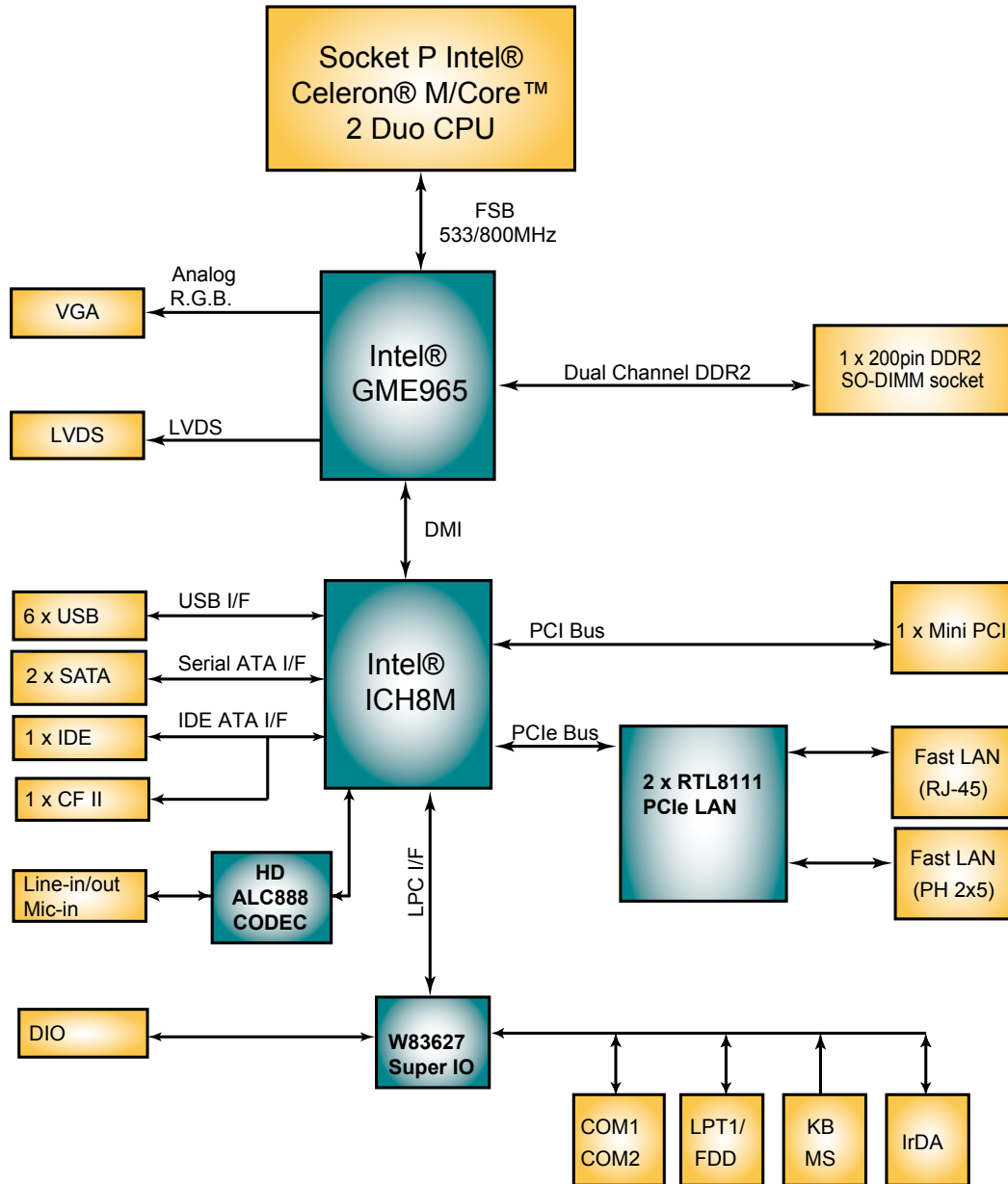
Dimensions



Recommended CPU list:

T7500 2.2GHz Core™ 2 Duo Processor
550 2.0GHz Celeron® M Processor

Block Diagram



Ordering Information

EmCORE-i9651VL2 Socket P Intel® Core™ 2 Duo/ Celeron® M 3.5" Compact Board

Optional Accessories

CBK-09-9651-00

- Cable kit
- 1 x COM port cable
 - 2 x USB cables
 - 1 x IDE cable
 - 1 x Parallel port cable
 - 2 x SATA cables
 - 1 x audio cable
 - 1 x LPT to FDD cable
 - 1 x Ethernet cable
 - 1 x KB & MS Y-cable

X-ON Electronics

Largest Supplier of Electrical and Electronic Components

Click to view similar products for [Computer Cables](#) category:

Click to view products by [Arbor Technology](#) manufacturer:

Other Similar products are found below :

[68809-0004](#) [8F36-AAA105-1.00](#) [IB63](#) [CB-716EB-RS](#) [CB-716P8P9-RS](#) [CBK-11-290K-00](#) [ACL-10550](#) [ACL-10568-2](#) [ACL-10568-5](#)
[427522400-3](#) [32102-021500-200-RS](#) [426091300-3](#) [48000023](#) [10114976-P015002LF](#) [10111838-S444ALF](#) [88761-6101](#) [NT631C-CN321-EU](#)
[ACL-10568NF-1](#) [MIKROE-2092](#) [PCL-101100R-2E](#) [1700009405](#) [PS/2 Cable](#) [NT31C-CN323-EU](#) [FWAX-PK1-51](#) [PCL-10168H-1E](#) [68801-](#)
[1905](#) [111068-1015](#) [100436-1107](#) [68801-0630](#) [68801-3612](#) [68801-3618](#) [205058-1002](#) [PS2NK](#) [SATA cable](#) [96021-0000-00-0](#) [FAK-](#)
[SMZSMZ 5M](#) [FAK-SMZSMZ-3M](#) [ACC-500-200-R](#) [iW-C40-PCIe08-C1](#) [1700001531](#) [96048-0000-00-0](#) [SATA III cable 30cm, down/straight](#)
[cab-Pico-ITX-LVDS](#) [PCL-101100SB-2E](#) [AXXSTCBLQAT](#) [NT31C-KBA05](#) [PCL-101100M-2E](#) [A2U4PSWCXCXK1](#) [2 port SATA to 5](#)
[pin,L=200mm](#) [P782-006-DH](#)