

# MB-i77Q0

## Intel® 3rd/ 2nd Gen. Core™ Embedded Micro-ATX Motherboard



### Features

- Support Intel® LGA1155 3rd/ 2nd Gen. Core™ Processors
- Dual Gigabit Ethernet Ports
- Dual Independent Displays
- DVI-I, DVI-D and Dual Channels 24-bit LVDS (only for Windows 7)
- Support RS-485 Auto-flow Control
- Intel® AMT8.0 Supported
- RAID 0, 1, 5, 10 Supported
- USB 3.0 Supported

### System

<b>CPU</b>	Support 2nd and 3rd Generation Intel® Core™ i7/i5/i3/ Pentium®/ Celeron® processors in LGA1155 socket
<b>Memory</b>	4 x 240-pin DDR3 DIMM sockets, supporting 1333/1600MHz SDRAM up to 32GB
<b>Chipset</b>	Intel® PCH Q77
<b>BIOS</b>	AMI BIOS
<b>Watchdog Timer</b>	1~255 levels reset

### I/O

<b>I/O Chip</b>	Fintek F71869ED
<b>Serial Port</b>	3 x RS-232 ports 1 x RS-232/422/485 selectable port w/ auto-flow control
<b>USB Port</b>	4 x USB 3.0/2.0 compatible ports 10 x USB 2.0 ports
<b>KB/MS</b>	One 1x6-pin wafer connector for PS/2 keyboard and mouse
<b>Digital I/O</b>	1 x 16-bit digital I/O 1 x PCIe x16 slot 1 x PCIe x1 slot
<b>Expansion Bus</b>	1 x PCIe x4 interface in x8 slot 1 x PCI slot
<b>Storage</b>	2 x Serial ATA ports with 600MB/s HDD transfer rate 4 x Serial ATA ports with 300MB/s HDD transfer rate
<b>Ethernet Chipset</b>	1 x Intel® 82579LM GbE PHY w/ iAMT 1 x Intel® 82583V GbE controller
<b>Audio Interface</b>	Realtek ALC886 HD Audio Codec, Mic-in/Line-in/Line-out

### Display

<b>Graphics Chipset</b>	Integrated Intel® HD Graphics 2500 and HD Graphics 4000 1 x DVI-I connector, supporting either Analog RGB or DVI, resolution up to 2048 x 1536 for Analog RGB or 1920 x 1200 for TMDS
<b>Graphics Interface</b>	1 x DVI-D connector, supporting resolution up to 1920 x 1200 Support Dual Channels 24-bit LVDS, resolution up to 1600 x 1200

#### Recommended CPU List:

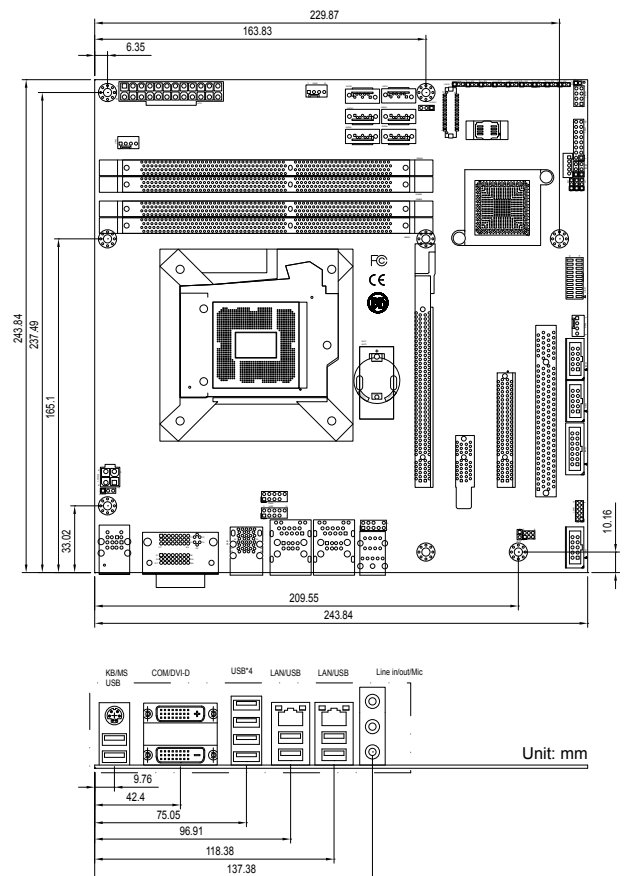
**Intel® 3rd Generation**  
i7-3770 3.4GHz Core™ Processor  
i5-3550S 3.0GHz Core™ Processor  
i3-3220 3.3GHz Core™ Processor

**Intel® 2nd Generation**  
i7-2600 3.4GHz Core™ Processor  
i5-2400 3.1GHz Core™ Processor  
i3-2120 3.3GHz Core™ Processor  
G850 2.9GHz Pentium® Dual Core Processor  
G540 2.5GHz Celeron® Dual Core Processor

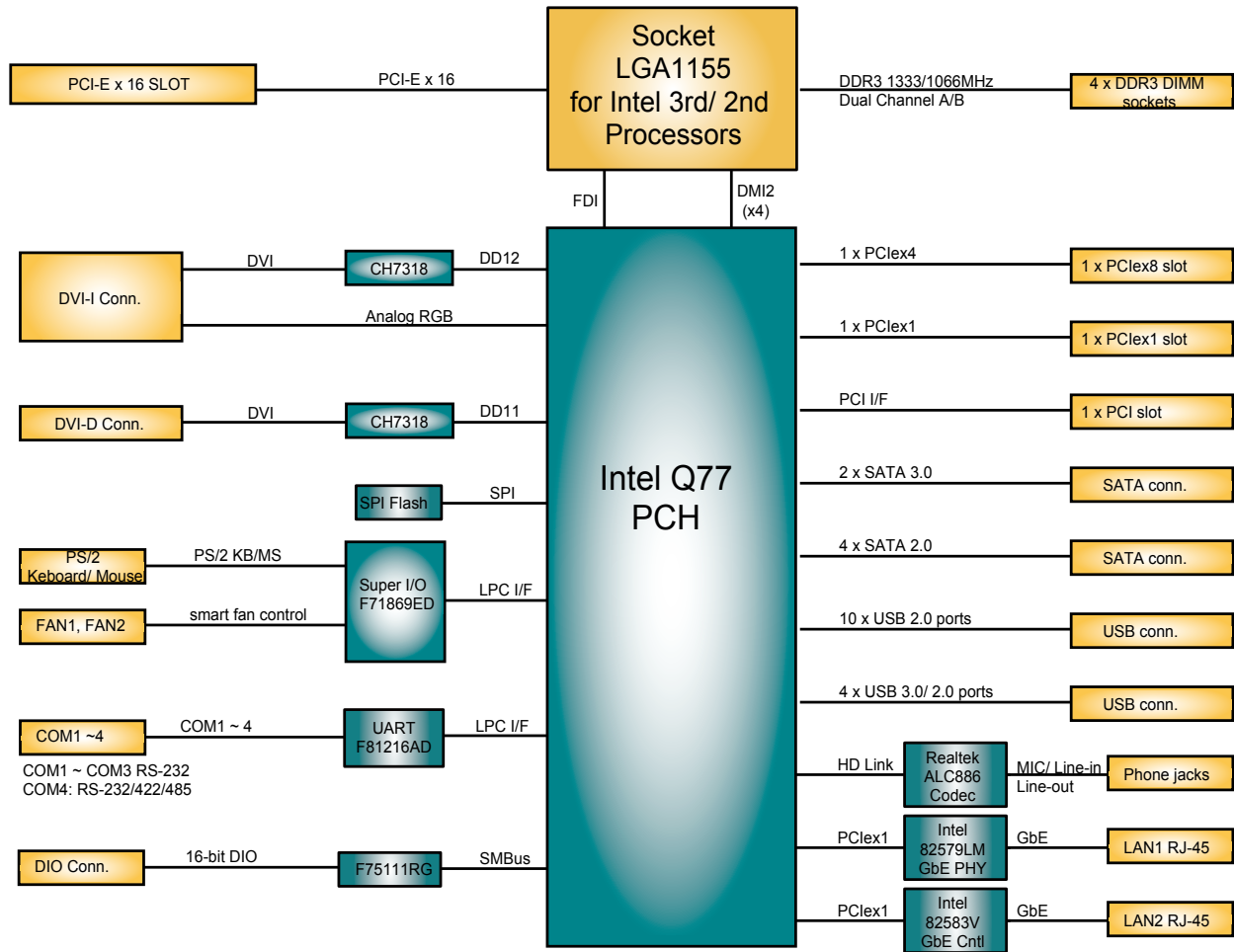
### Mechanical & Environmental

<b>Power Requirement</b>	24-pin + 4-pin ATX connector
<b>Power Consumption</b>	6.5A@+12V, 3.8A@+5V, 1.8A@+3.3V with Intel® Core™ i7-3770 3.4GHz processor (Typical)
<b>Operating Temp.</b>	0 ~ 60°C (32 ~ 140°F)
<b>Operating Humidity</b>	10 ~ 95% @ 60°C (non-condensing)
<b>Dimensions (L x W)</b>	244 x 244 mm (9.6" x 9.6")

### Dimensions



## Block Diagram



## Ordering Information

**MB-i77Q0** Intel® LGA1155 socket Core™ i7/i5/i3 embedded Micro-ATX motherboard

## Optional Accessories

**CPF-67Q0-C1** CPU Cooling Fan for LGA1155/1156 CPU

- Cable kit
- 6 x SATA cables
  - 1 x Two ports COM cable
  - 2 x USB cables
  - 2 x COM Flat cables

**CBK-11-77Q0-00**

## X-ON Electronics

Largest Supplier of Electrical and Electronic Components

*Click to view similar products for [Computer Cables](#) category:*

*Click to view products by [Arbor Technology](#) manufacturer:*

Other Similar products are found below :

[68809-0004](#) [8F36-AAA105-1.00](#) [IB63](#) [CB-716EB-RS](#) [CB-716P8P9-RS](#) [CBK-11-290K-00](#) [ACL-10550](#) [ACL-10568-2](#) [ACL-10568-5](#)  
[427522400-3](#) [32102-021500-200-RS](#) [426091300-3](#) [48000023](#) [10114976-P015002LF](#) [10111838-S444ALF](#) [88761-6101](#) [NT631C-CN321-EU](#)  
[ACL-10568NF-1](#) [MIKROE-2092](#) [PCL-101100R-2E](#) [1700009405](#) [PS/2 Cable](#) [NT31C-CN323-EU](#) [FWAX-PK1-51](#) [PCL-10168H-1E](#) [68801-1905](#) [111068-1015](#) [100436-1107](#) [68801-0630](#) [68801-3612](#) [68801-3618](#) [205058-1002](#) [PS2NK](#) [SATA cable](#) [96021-0000-00-0](#) [FAK-SMZSMZ 5M](#) [FAK-SMZSMZ-3M](#) [ACC-500-200-R](#) [iW-C40-PCIe08-C1](#) [1700001531](#) [96048-0000-00-0](#) [SATA III cable 30cm, down/straight](#)  
[cab-Pico-ITX-LVDS](#) [PCL-101100SB-2E](#) [AXXSTCBLQAT](#) [NT31C-KBA05](#) [PCL-101100M-2E](#) [A2U4PSWCXCXK1](#) [2 port SATA to 5 pin,L=200mm](#) [P782-006-DH](#)