

ITX-i2705

Intel® Atom™ N270 Embedded Mini-ITX Motherboard



Features

- **Fanless Design**
- **Ultra Low Profile (16.8 mm Height)**
- Soldered Onboard Intel® Atom™ N270 1.6GHz Processor
- Integrated Gigabit Ethernet
- Soldered Onboard Touch Screen Controller
- Support Analog RGB, Dual Channels 18/24-bit LVDS for LCD
- Support Dual Independent Displays
- Single DC12V Power Input
- **Extended Operating Temp.: -20 ~ 70°C**

System

CPU	Soldered onboard Intel® Atom™ N270 1.6GHz processor with 533MHz FSB
Memory	Soldered onboard 1GB DDR2 533MHz SDRAM
Chipset	Intel® 945GSE + ICH7M
BIOS	Phoenix-Award Flash BIOS
Watchdog Timer	1~255 levels reset

I/O

I/O Chipset	F81216AD + W83627HG
Serial Port	4 x RS-232 ports 2 x RS-232/422/485 selectable ports
Parallel Port	SPP/EPP/ECP mode selectable
USB Port	6 x USB 2.0 ports
KB/MS	One 1x6-pin wafer connector for keyboard and mouse
Digital I/O	8-bit programmable Digital Input/Output
Expansion Bus	1 x PCI slot 1 x Mini-card socket
Storage	1 x Ultra ATA 100 port 2 x Serial ATA ports with 150MB/s HDD transfer rate
NANDrive	Soldered onboard 4GB NANDrive (only for ITX-i2705D)
Ethernet Chipset	1 x Realtek RTL8111 PCIe GbE controller
Audio Interface	Realtek ALC888 7.1 Channel HD Audio Codec, Mic-in/Line-in/Line-out One 1x9-pin wafer connector for extended Audio board via AC97 interface

Display

Graphics Chipset	Integrated Intel® Graphics Media Accelerator 950 Analog RGB supports resolution up to 2048 x 1536
Graphics Interface	LCD supports Dual Channels 24-bit LVDS, resolution up to 1600 x 1200 TV-out supports NTSC/PAL, resolution up to 1024 x 768

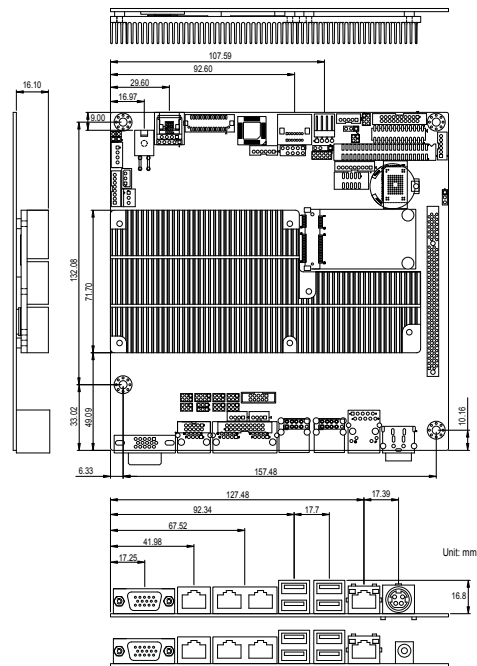
Touch Screen Interface

Mode	4-pin FPC for 4 wire 4-pin header for 4 wire 5-pin header for 5 wire
-------------	--

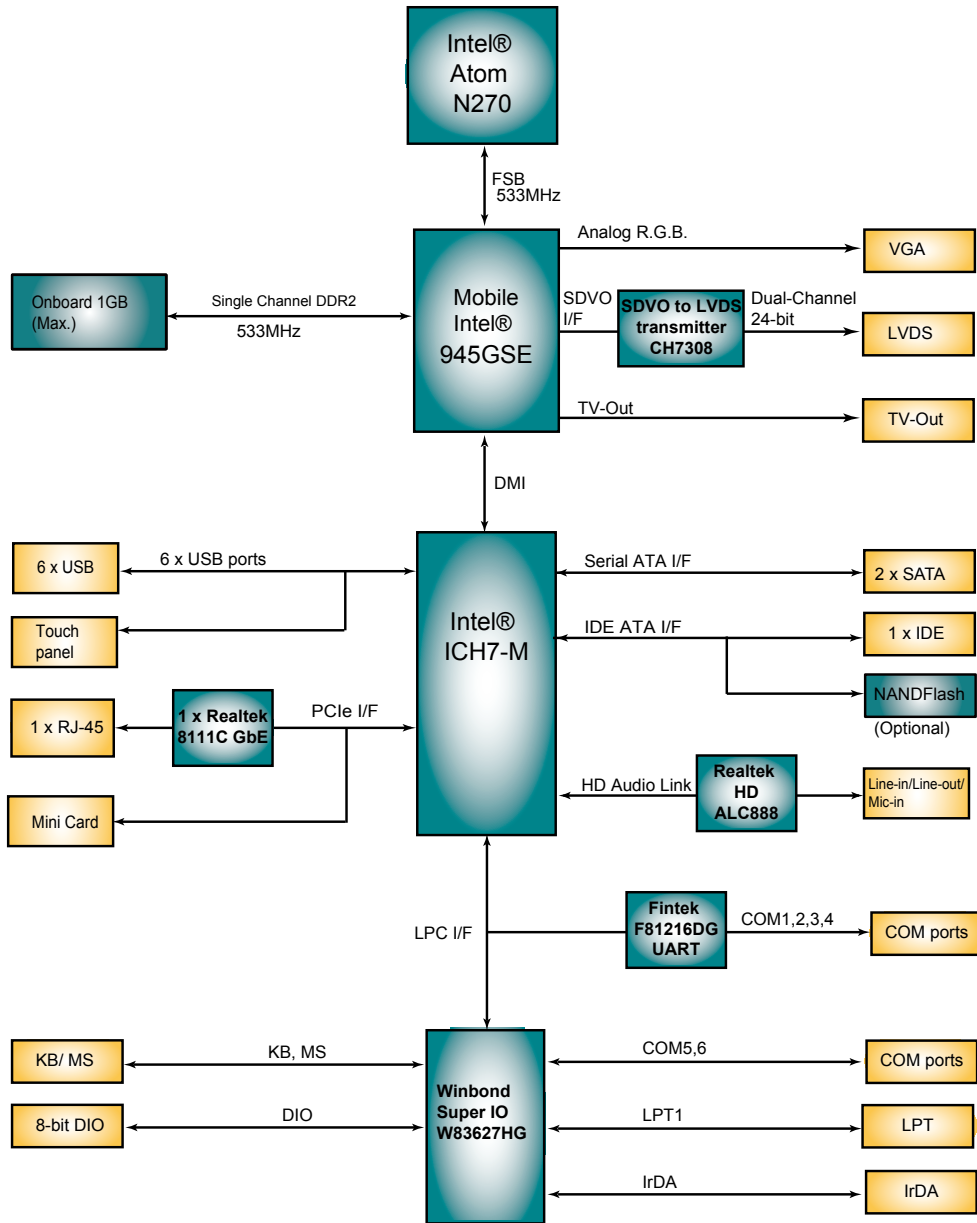
Mechanical & Environmental

Power Requirement	+12V input (4-pin ATX 12V connector, 4-pin DC jack)
Power Consumption	1.28A@+12V (Typical)
Operating Temp.	-20 ~ 70°C (-4 ~ 158°F)
Operating Humidity	10 ~ 95% @ 70°C (non-condensing)
Dimension (L x W)	170 x 170 mm (6.7" x 6.7")

Dimensions



Block Diagram



Ordering Information

ITX-i2705	Intel® Atom™ N270 embedded Mini-ITX motherboard
ITX-i2705D	ITX-i2705 with 4GB NANDrive

Optional Accessories

CBK-13-2701-00	<p>Cable kit</p> <ul style="list-style-type: none"> • 1 x USB cable • 1 x TV-out cable • 1 x audio cable • 1 x One port COM cable • 1 x Two ports COM cable • 3 x COM port RJ-45 cables • 1 x IDE cable • 1 x LPT cable • 1 x KB & MS Y-cable • 1 x SATA cable
-----------------------	--

X-ON Electronics

Largest Supplier of Electrical and Electronic Components

Click to view similar products for [Computer Cables](#) category:

Click to view products by [Arbor Technology](#) manufacturer:

Other Similar products are found below :

[68809-0004](#) [8F36-AAA105-1.00](#) [IB63](#) [CB-716EB-RS](#) [CB-716P8P9-RS](#) [CBK-11-290K-00](#) [ACL-10550](#) [ACL-10568-2](#) [ACL-10568-5](#)
[427522400-3](#) [32102-021500-200-RS](#) [426091300-3](#) [48000023](#) [10114976-P015002LF](#) [10111838-S444ALF](#) [88761-6101](#) [NT631C-CN321-EU](#)
[ACL-10568NF-1](#) [MIKROE-2092](#) [PCL-101100R-2E](#) [1700009405](#) [PS/2 Cable](#) [NT31C-CN323-EU](#) [FWAX-PK1-51](#) [PCL-10168H-1E](#) [68801-](#)
[1905](#) [111068-1015](#) [100436-1107](#) [68801-0630](#) [68801-3612](#) [68801-3618](#) [205058-1002](#) [PS2NK](#) [SATA cable](#) [96021-0000-00-0](#) [FAK-](#)
[SMZSMZ 5M](#) [FAK-SMZSMZ-3M](#) [ACC-500-200-R](#) [iW-C40-PCIe08-C1](#) [1700001531](#) [96048-0000-00-0](#) [SATA III cable 30cm, down/straight](#)
[cab-Pico-ITX-LVDS](#) [PCL-101100SB-2E](#) [AXXSTCBLQAT](#) [NT31C-KBA05](#) [PCL-101100M-2E](#) [A2U4PSWCXCXK1](#) [2 port SATA to 5](#)
[pin,L=200mm](#) [P782-006-DH](#)